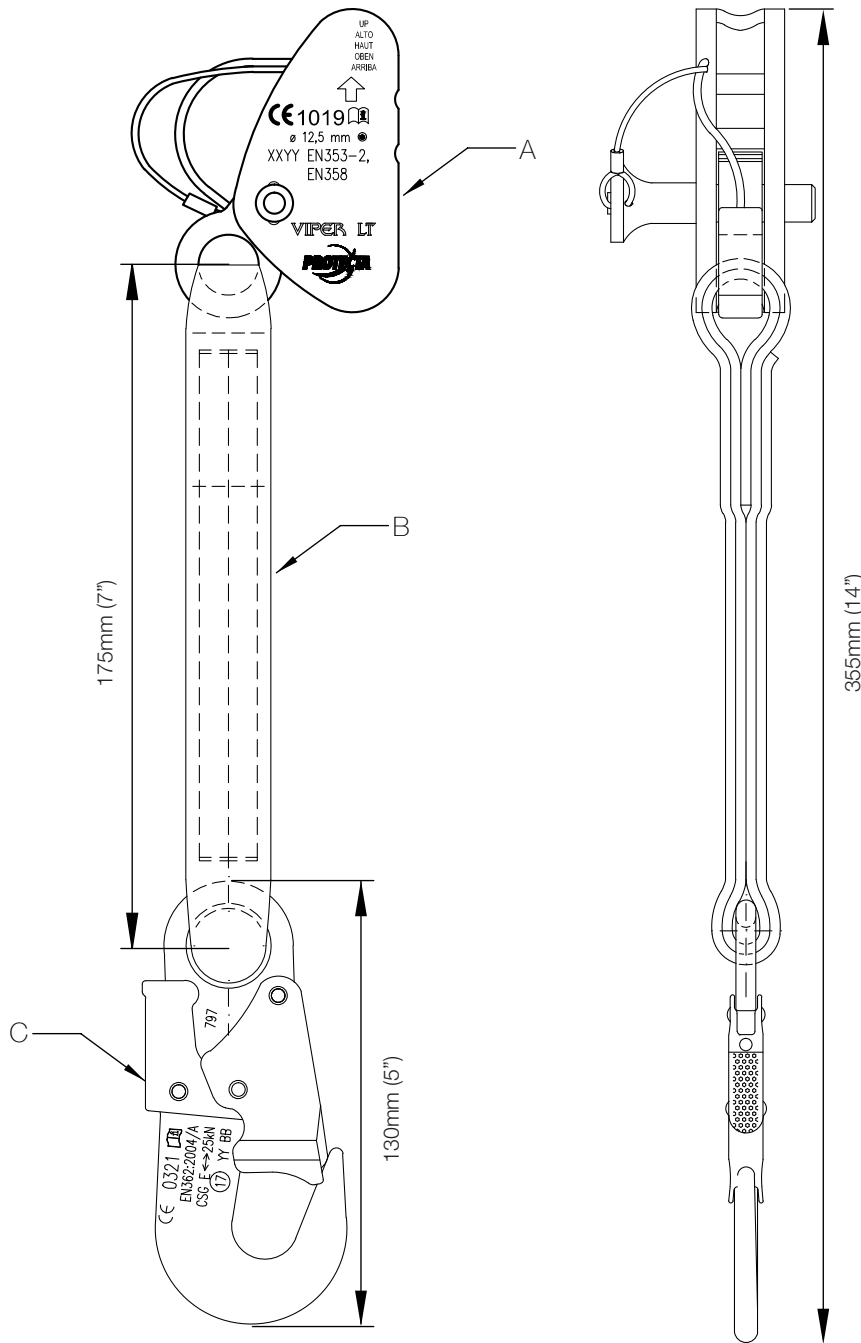


Technical Datasheet No: 1293

Viper LT Rope Grab with Extension Strap and Snap Hook

Part No: AC4001



A	Rope Grab
B	Extension Strap
C	Snap Hook

Application

Used in conjunction with AC40XX 12.5mm kernmantle rope intended for use as a fall arrest or restraint system with webbing strap. For a more detailed application refer to the Instructions For Use. 100kg MAX user weight.

Component Specification

	A	B	C
Material	Aluminium	Nylon Webbing	Steel
Finish	Anodized	Natural	Zinc Plated
Weight	0.56kg		
Quality	ISO 9001		