



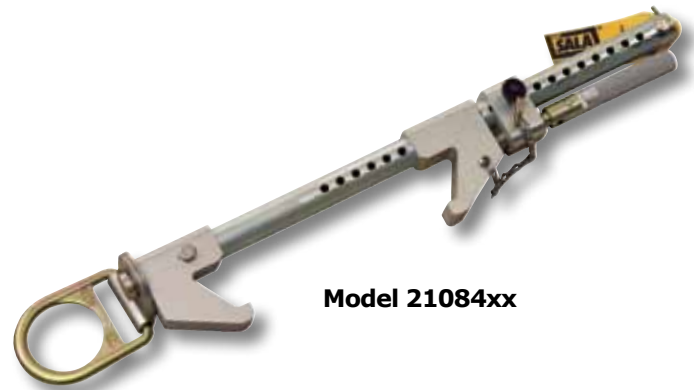
The Fixed Beam Anchor has been developed to allow a worker to be secured to beams and provide an anchorage point for personal fall protection systems

The easy to use anchor point installs in seconds by simply sliding the adjustable hook end down the flange of the steel work, and locking in place with a detent pin. Any final adjustments can be done by rotating the adjustment handle to suit.

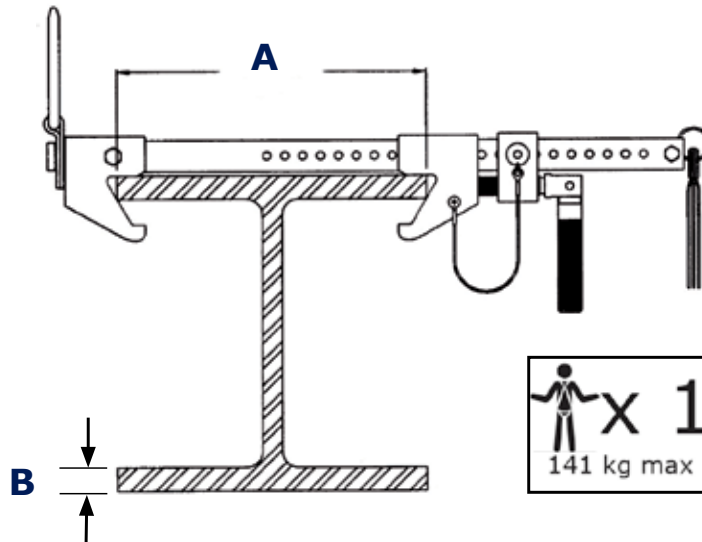
- **Portable and Lightweight anchorage**
- **Easy to install - can be adjusted in seconds**
- **Can be used horizontally or vertically**
- **22 kN rated in any direction**
- **Available to fit beam flanges up to 91.44cm and 6.5cm thickness**

The Fixed Beam Anchor is an anchorage connector for a personal fall arrest system designed to be attached to a beam. The Fixed Beam Anchor may be used as an end termination for all Capital Safety horizontal lifeline systems.

The Fixed Beam Anchor may only be installed on beams with flanges within the adjustment range as illustrated below. This equipment is designed for use by persons with a combined weight (clothing, tools, etc.) of no more than 141kg. The Fixed Beam Anchor is CE approved and complies with EN 795 Classes B & C.



Model 21084xx



Fixed Beam Anchor models :

Models	Beam Flange Sizes A	I Beam Thickness B
2108412	6.35cm to 30.48cm	3.81cm
2108413	6.35cm to 45.72cm	3.81cm
2108414	6.35cm to 60.96cm	3.81cm
2108415	30.48cm to 91.44cm	6.35cm

©2008, Capital Safety

Specifications: *D-Ring material:* Stainless Steel *Hook Ends material:* Aluminium *Adjustment Block material:* Aluminium *Support Tube material:* Plated Alloy Steel **Standards:** complies with CE – EN795 Classes B & C

Capital Safety

USA: 800.328.6146 • Canada: 800.387.7484 • Asia: +65 6558 7758 • Australia: 1800 245 002 • New Zealand: 0800 212 505
 Europe, Middle East, Africa: +33 (0)4 97 10 00 10 • Northern Europe: +44 (0) 1928 571324
www.capitalsafety.com • information@capitalsafety.com