

**A simple, versatile
and safe concrete
anchor solution !**

**Finally, a concrete anchor
that will hold-up to its
environment, for use in
temporary or even
permanent applications !**

- **Re-useable D-ring assembly, just install a new bolt and it's ready for use again.**
- **Rugged design for harsh environments with no moving or fragile parts to foul-up.**
- **Safe "hook-up" indicator notifies the user the anchor has been installed properly.**
- **For flexibility, install into 18mm or 19mm holes - only standard drill bits needed.**
- **22.2kN rated, CE - EN795 compatible connection point swivels 360° for safety and useability.**



Complete Versatility and Flexibility

For added versatility, the concrete D-ring anchor can be used for both temporary and permanent applications. It incorporates a re-usable D-ring assembly, just install a new bolt and it's ready to go again. The anchor was designed with strength and flexibility in mind. It is 22.kN rated, and an ideal connection point for DBI-SALA and Protecta shock absorbing lanyards, self retracting lifelines or even horizontal lifeline systems like the EZ-Line™.

Easy Installation and Safe "Hook-up" Indicator

Installation is simple, fast and efficient - only standard drill bits are necessary. First, drill a 18mm or 19mm hole. Next, tap anchor into hole until it's seated firmly against the concrete, tighten bolt until the "red" torque indicator cap shears off revealing a "green" hex-head. This "green" hex-head notifies the user the anchor has been installed properly.

Anchorage Requirements Select a location on a suitable strength anchorage that will provide overall safety and proper loading. The concrete must have a minimum compressive strength of 3000 psi. The concrete base material must be at least 16cm thick and the mounting hole must be located at least 38cm from any free edge. When mounting more than one anchor, they must be separated by at least 25cm.

Standards and Warranty Reliability that saves you worry, time and money. Complies with CE requirements. The reputation of DBI-SALA stands behind every one of our products supported by a two year warranty on parts and workmanship.



Ref: 2104565

Safe "Hook-Up" Indicator

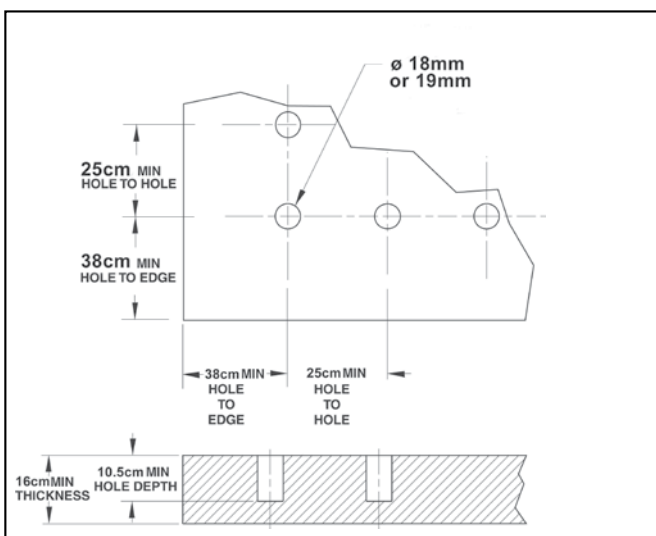


Red = Not Safe to Hook-up to.



Green = Safe and Ready for Hook-up

Mounting Hole Requirements



Concrete D-ring Anchor and Bolts:

- 2104565:** D-ring Assembly with 1 Bolt
- 2104566:** D-ring Assembly with 6 Bolts
- 2104567:** D-ring Assembly with 12 Bolts

Specifications:

D-ring Bracket: Yellow zinc plated steel **D-ring:** Forged Alloy Steel **Anchor Bolt:** Alloy Steel **Capacity:** 140kg. **Weight:** 0.5kg. **Size:** 14.5cm length x 7.6cm wide x 11.4cm high **Minimum Breaking Strength:** 22.2kN **Standard:** EN795 Class A

Capital Safety

USA: 800.328.6146 • Canada: 800.387.7484 • Asia: +65 6558 7758 • Australia: 1800 245 002 • New Zealand: 0800 212 505
Europe, Middle East, Africa: +33 (0) 4 97 10 00 10 • Northern Europe: +44 (0) 1928 571324

www.capitalsafety.com • information@capitalsafety.com

Ref. : A01DRINGTDEN Ind.0