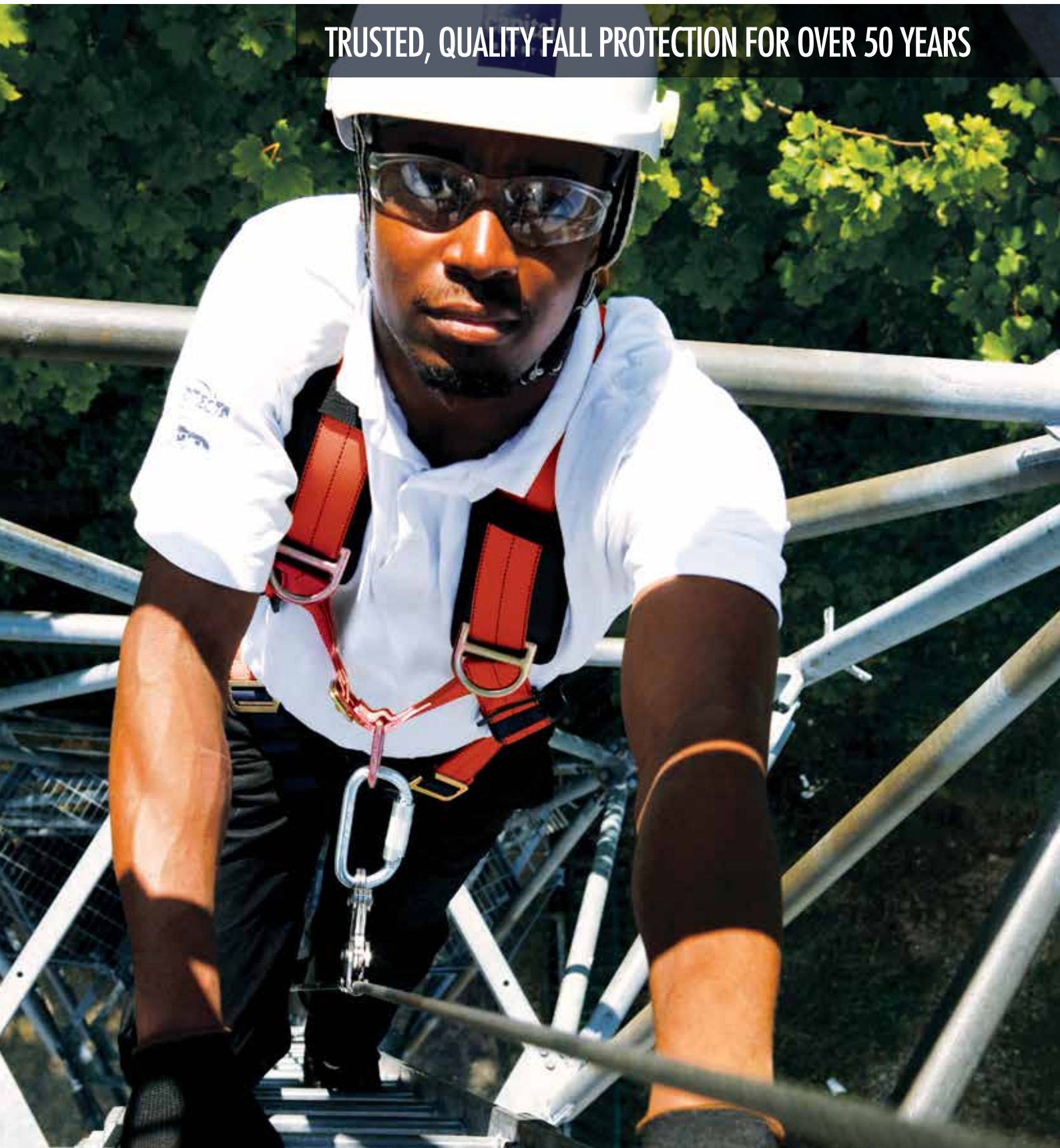




CABLOC™

VERTICAL
CLIMBING
SYSTEM

TRUSTED, QUALITY FALL PROTECTION FOR OVER 50 YEARS



www.capitalsafety.com

CABLOC™ | VERTICAL CLIMBING SYSTEM



The Protecta® Cabloc™ vertical climbing system can be permanently installed to a ladder or other vertical structure that requires frequent access. It provides a safe, functional and practical means of access and egress.



The Protecta® Cabloc™ vertical climbing system can be used in several configurations with different cable, traveller and absorber options and components in either stainless or galvanised steel. The table below details which components are compatible with each other.

Features & Benefits

The Protecta® Cabloc™ vertical climbing system is well known throughout the world and is the preferred option of major telecommunication and wind power companies.

FEATURES & BENEFITS

- Top and bottom anchors for ladders available in either galvanised or stainless steel. Easy and quick to install, saving time for the installer.
- Bottom anchor tension indicator. Provides visual indication that the cable is correctly tensioned.
- Cabloc™ Pro traveller which can be used on structures that incline up to 15°. To suit a wide variety of structures.
- By passable intermediate cable guide for use with the Cabloc™ Pro traveller. The traveller can smoothly bypass the new intermediate brackets without the need for user intervention allowing hands free continuous movement on the system.
- Anti-inversion feature on the Cabloc™ Pro traveller. Prevents the user mounting the traveller on the cable incorrectly.
- The cable is supported at 10m intervals with intermediate cable guides which prevents adverse wind chatter and cable fretting.
- Traveller automatically follows user and locks in event of a fall. Providing uninterrupted movement for the user during ascent and descent whilst maintaining complete safety.
- Components are made from high quality materials with corrosion resistant finishes which ensures Cabloc™ is suitable for installation in a wide range of aggressive environments.
- System conforms with and is tested in accordance with EN353-1 standards, CNB/P/11.073 and is CE marked. This provides the end user with complete confidence that the system meets the latest standards and legislation.
- Users can attach and detach at any point along the length of the system allowing easy access to platforms and adjacent work areas.

Applications

Cabloc™ Vertical Climbing Systems are suitable for use in a number of applications including:

- Ladder access
- Mast and pylon access including lattice construction towers and monopoles
- Wind turbine access
- Lighting column access



Features & Benefits



Cabloc™ Traveller



Cabloc™ Pro Traveller

Anti-inversion feature on Cabloc™ Pro traveller - prevents user from fitting the traveller incorrectly.



By-pass intermediate cable guide for Cabloc™ Pro, allowing the traveller to smoothly bypass new brackets without user intervention.



Features & Benefits

Cabloc™ Ladder Extension Bracket

2.3m (7.5') high

- Extends over top of ladder to enable user to safely step off onto platform

Supported over 3 rungs

- Extra strength to support 2 users on the Cabloc™ system

Brackets adjustable

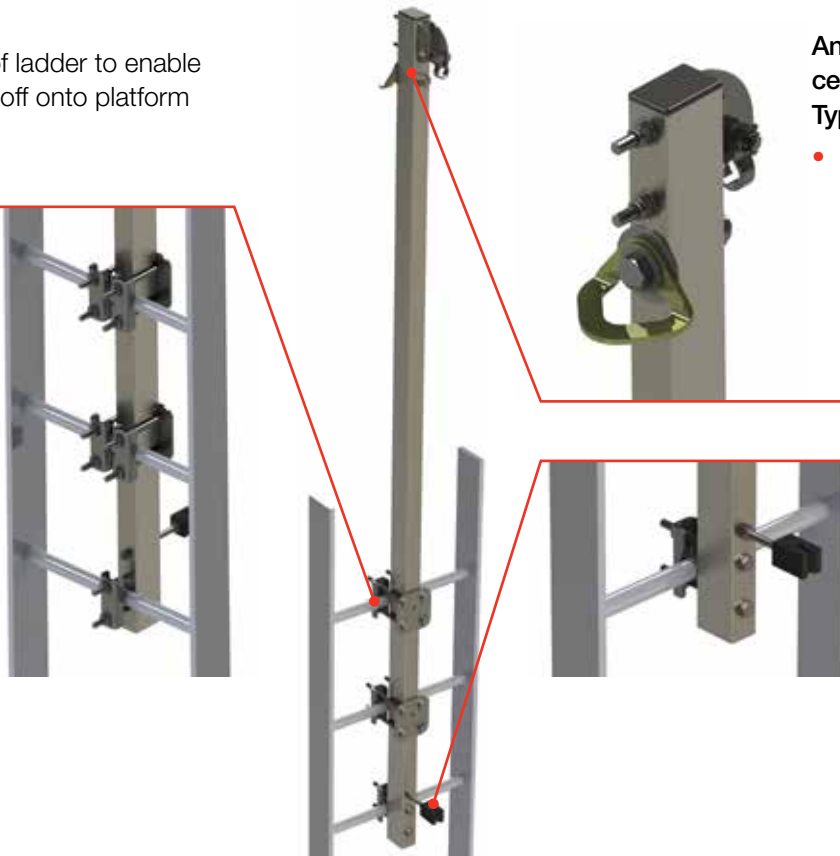
- To ladder rungs 12-30mm dia and 20-40mm square.
- Rung spacing from 225mm

Anchor point certified to EN795 Type A for 1 user

- Allows user to safely transfer from top of ladder to roof or platform by connecting with lanyard

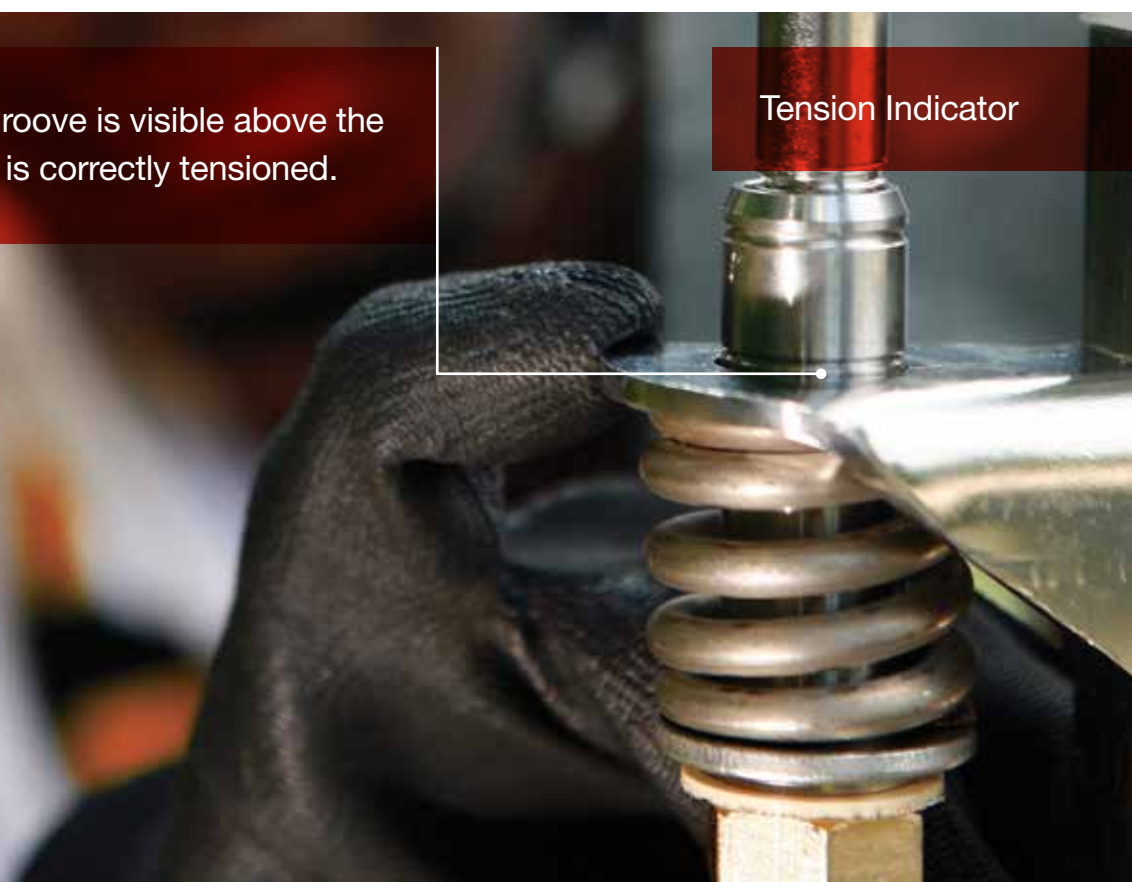
Integrated cable guide

- To keep cable in line with top anchor

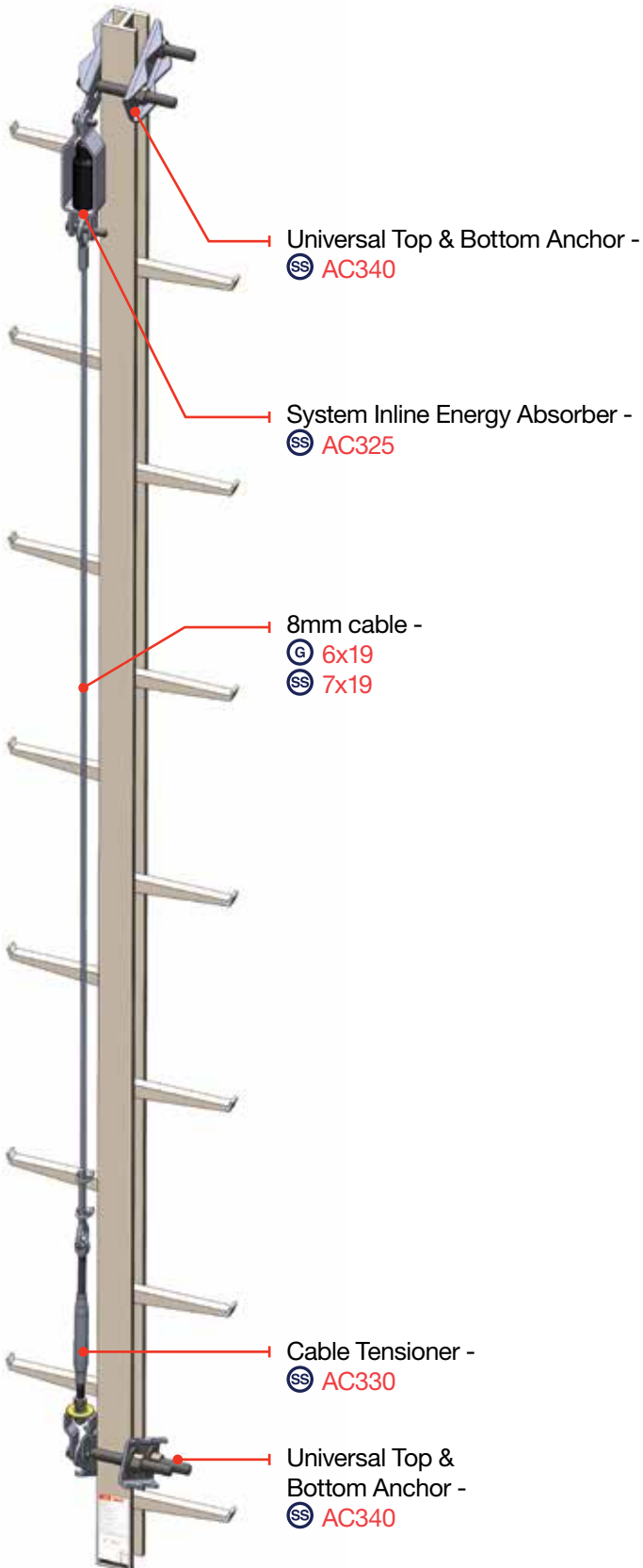


When the second groove is visible above the bracket the system is correctly tensioned.

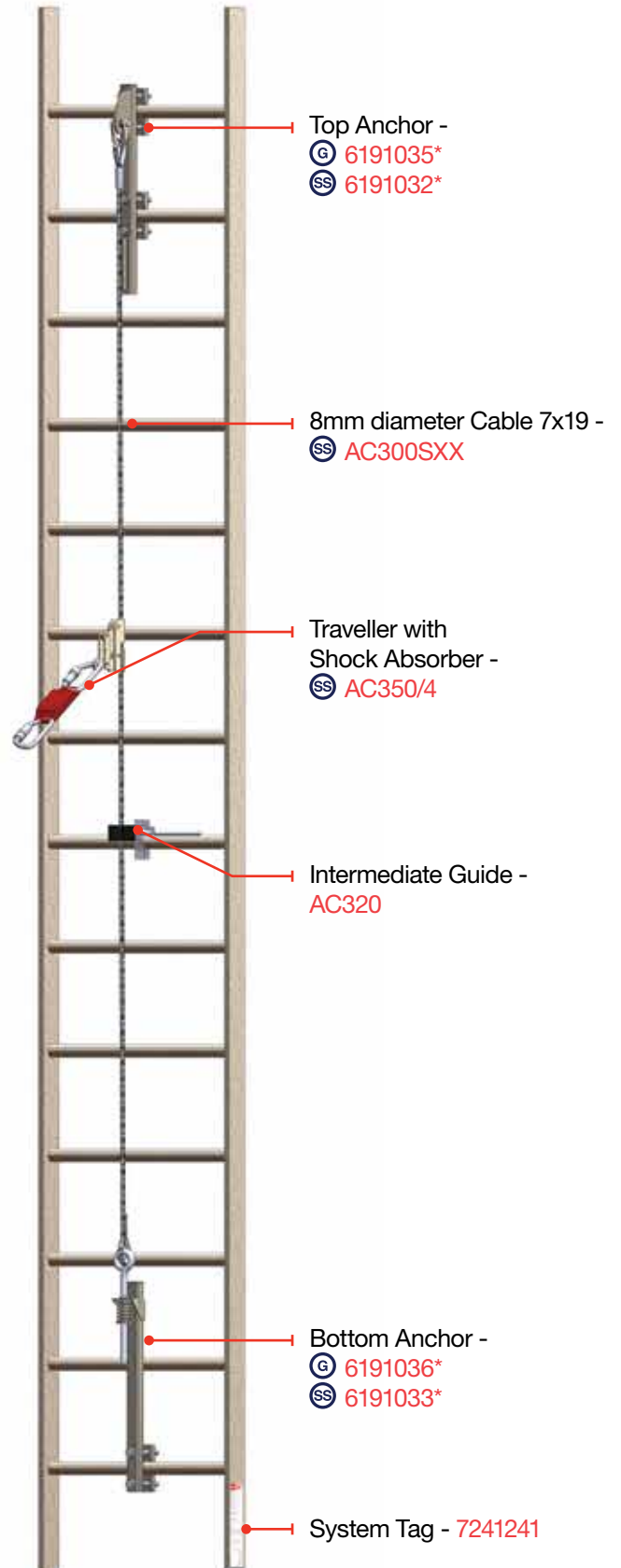
Tension Indicator



Cabloc™ with Universal Top and Bottom Anchors and Inline Energy Absorber

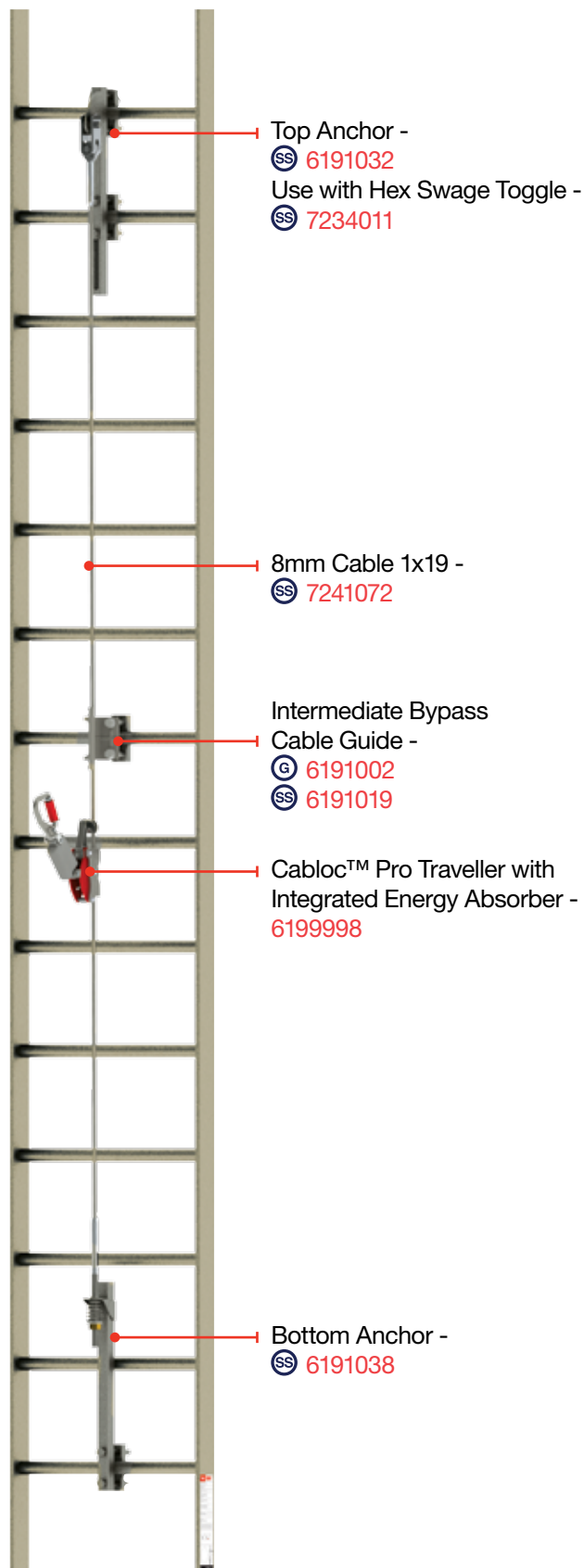
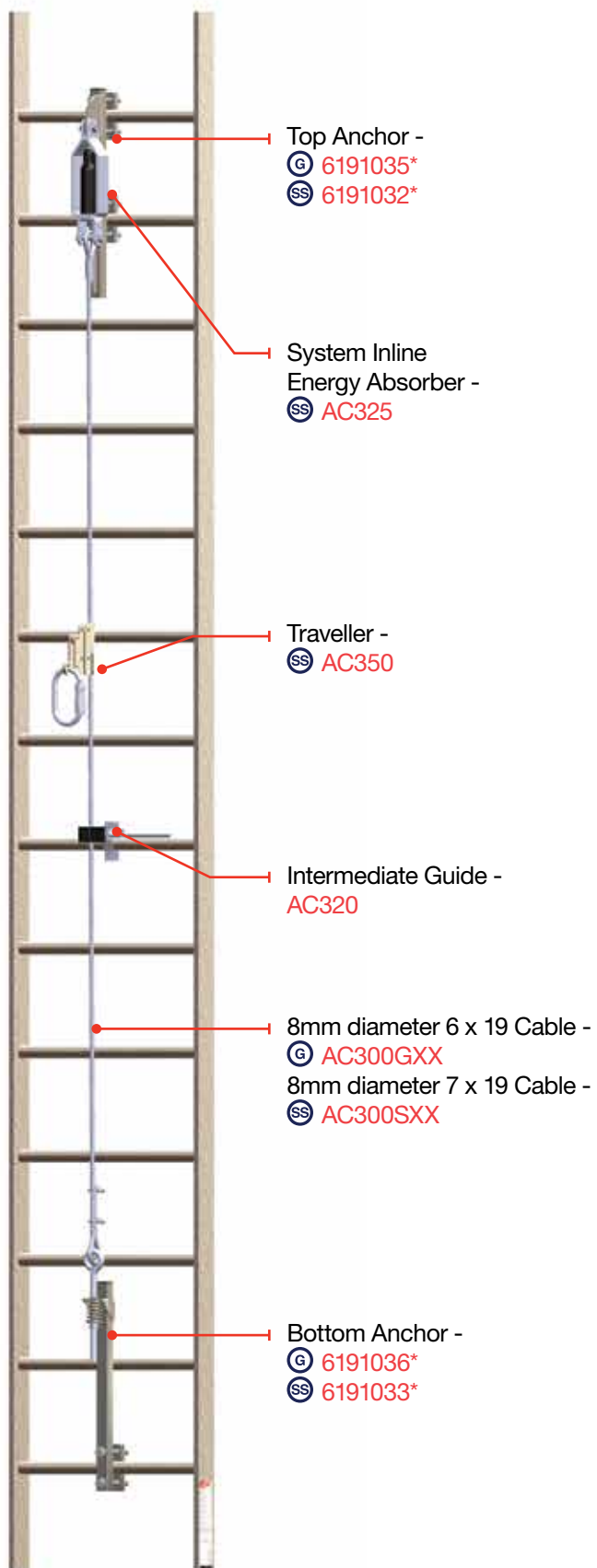


Cabloc™ System without Inline Energy Absorber



Cabloc™ System with Inline Energy Absorber

Cabloc™ Pro System



Options

There are three traveller options to suit individual requirements:



Cabloc™ Traveller

- A light weight traveller which sits in the palm of your hand
- Requires a system energy absorber to be installed at the top mounting bracket
- Rated for 136kg (user plus tools)

	○	kg
AC350	Ⓢ	0.70



Cabloc™ Traveller with Integrated Energy Absorber

- Includes an integrated energy absorber
- Does not require a system energy absorber to be installed at the top mounting bracket
- Rated for 136kg (user plus tools)

	○	kg
AC350/4	Ⓢ	1.00



Cabloc™ Pro Traveller

- Includes an integrated energy absorber
- Does not require a system energy absorber to be installed at the top mounting bracket
- Allows for hands free travel over intermediate bypass cable guides
- Anti-inversion feature – prevents user from fitting the traveller incorrectly
- Rated for 150kg (user plus tools)

	○	kg
6199998	Ⓢ	1.10

KEY: ○ Material Ⓢ Stainless Steel kg Weight (kg)

Cabloc™ Traveller Compatibility



AC350

AC350/4

6199998

AC300Sxx	8mm Stainless Steel (7x19)		✓	✓	✗
7241072	8mm Stainless Steel (1x19)		✗	✗	✓
AC300Gxx	8mm Galvanised Steel (6x19)		✓	✗	✗
6191002 or 6191019	Intermediate bypass cable guide		✗	✗	✓
AC325	Requires in-line system energy absorber		✓	✗	✗

Top & Bottom Anchors

AC340	Universal Top & Bottom Anchor	✓	✓	✗
AC330	Cable tensioner (for use with AC340)	✓	✓	✗
6191032	Stainless Steel Top Anchor	✓	✓	✓
7234011	Stainless Steel Hex Swage Toggle (for use with 6191032, 6180175 and 7241072 cable)	✗	✗	✓
6191038	Stainless Steel Hex Swage Bottom Anchor and Cable Tensioner	✗	✗	✓
6191033	Stainless Steel Bottom Anchor and Cable Tensioner	✓	✓	✗
6191035	Galvanised Steel Top Anchor	✓	✓	✗
6180174	Galvanised Steel Ladder Extension Top Anchor	✓	✓	✓
6180175	Stainless Steel Ladder Extension Top Anchor	✓	✓	✓

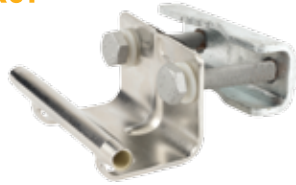
Systems Components, Accessories & Kits

Intermediate Cable Guide



	○	kg
AC320	SS	0.40

Intermediate Bypass Bracket



	○	kg
6191002	G	0.60
6191019	SS	0.60

Inline Energy Absorber



	○	kg
AC325	SS	1.20

Cable



	8mm Stainless Steel 7 by 19 AC300Sxx (replace xx by the length required in m includes swage)
	8mm Stainless Steel 1 by 19 7241072 (sold by the m, cable only no swage)
	8mm Galvanised Steel 6 by 19 (AC300Gxx) (replace xx by the length required in m includes swage)

Ladder Extension Top Anchor



	○	kg
6180174	G	10.5
6180175	SS	11.5

Universal Top and Bottom Anchor



	○	kg
AC340	SS	2.50

Cable Tensioner

For use with AC340



	○	kg
AC330	SS	0.80

KEY: ○ Material Ⓞ Galvanised Steel ←.....→ Size
 Ⓢ Stainless Steel Ⓚ Weight (kg)

Top Anchor



	○	Ⓚ
6191032	Ⓢ	1.70
6191035	Ⓞ	1.70

Bottom Anchor



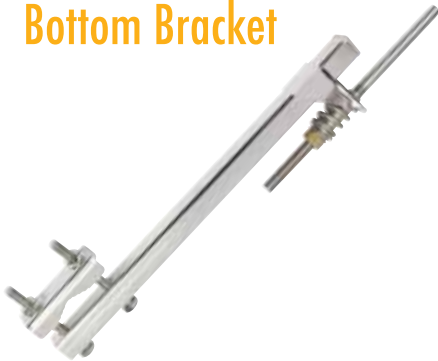
	○	Ⓚ
6191033	Ⓢ	1.50
6191036	Ⓞ	1.50

Hex Swage Toggle



	○	Ⓚ
7234011	Ⓢ	0.33

Cabloc™ Pro Bottom Bracket



	○	Ⓚ
6191038	Ⓢ	1.63

System Tag EU Languages



	○	Ⓚ
7241241	Ⓐ	0.03

Counterweight Device and Cable Guide for Rung



	○	Ⓚ
AC323	Ⓞ	6.98
AC320/3	Ⓢ	0.45

Cabloc™ Kits

	←.....→	Ⓚ
AC3000/10	10m	11.30
AC3000/20	20m	14.60
AC3000/30	30m	17.10
AC3000/40	40m	20.10
AC3000/50	50m	23.10



Kit includes all components needed

Universal top and bottom anchor, In-line Energy Absorber, Cable Tensioner, Cable, Cable Guide, Cable Clips, AC350 Traveller, System tag – EU languages.



TRUSTED, QUALITY FALL PROTECTION FOR OVER 50 YEARS

With over 50 years experience, Protecta® provides the complete line of fall protection products you can rely on, at exceptional value.

Pro™ Harness

The Protecta® Pro™ Harness range is extensive with a suitable model for everyone and every job, including specific models for confined space/rescue and rope access work. Constructed to exacting standards, from highest quality components. The right harness, with the right quality, at the right value, that's Pro!

Pro™ with Belt



- 1 x Sternal D-Ring
- 2 x work positioning D-Rings
- Adjustable shoulders, chest, waist & legs
- Comfort pads

	←.....→	kg
AB114125NG	S	2.02
AB114135NG	M/L	2.06
AB114145NG	XL	2.15

Pro™



- 1 x Sternal D-Ring
- 2 x Pectoral D-Ring
- Adjustable shoulders, chest & legs

	←.....→	kg
AB11212NG	S	1.31
AB11213NG	M/L	1.36
AB11214NG	XL	1.41

Pro™



- 1 x Sternal D-Ring
- Adjustable shoulders, chest & legs

	←.....→	kg
AB11312NG	S	1.13
AB11313NG	M/L	1.18
AB11314NG	XL	1.21

Pro™ Quick Connect



- 1 x Sternal D-Ring
- Adjustable shoulders & chest
- Quick Connect buckles

	←.....→	kg
AB21312NG	S	1.34
AB21313NG	M/L	1.36
AB21314NG	XL	1.38

Pro™ with Belt Quick Connect



- 1 x Sternal D-Ring
- 2 x work positioning D-Rings
- Adjustable shoulders, chest, waist & legs
- Comfort pads
- Quick Connect buckles

	←.....→	kg
AB214325NG	S	2.30
AB214335NG	M/L	2.40
AB214345NG	XL	2.50



Capital Safety Group, EMEA

5a Merse Road, North Moons Moat,
Redditch, Worcestershire B98 9HL
t: +44 (0) 1527 548 000
f: +44 (0) 1527 591 000

www.capitalsafety.com

Le Broc Center, Z.I. 1ère avenue, BP 15
06511 Carros le Broc Cedex France
t: +33 (0)497 100 010
f: +33 (0)493 087 970

9700619
Rev B