

# NEST S061AA00

Litter for rescue in difficult access locations  
Civière pour le secours en milieux difficiles d'accès

# STEF S059AA00

Orientation device for the NEST litter  
Dispositif d'inclinaison de la civière NEST

# STEF for NEST litter before 2020 STEF pour civière NEST avant 2020 S059BA00

Orientation device for pre-2020 NEST litter  
Dispositif d'inclinaison de la civière NEST (avant 2020)

## ⚠ WARNING / ATTENTION

Activities involving the use of this equipment are inherently dangerous. You are responsible for your own actions and decisions.

- Before using this equipment, you must:
- Read and understand all instructions for Use.
  - Get specific training in its proper use.
  - Become acquainted with its capabilities and limitations.
  - Understand and accept the risks involved.



**FAILURE TO HEED ANY OF THESE WARNINGS MAY RESULT IN SEVERE INJURY OR DEATH.**

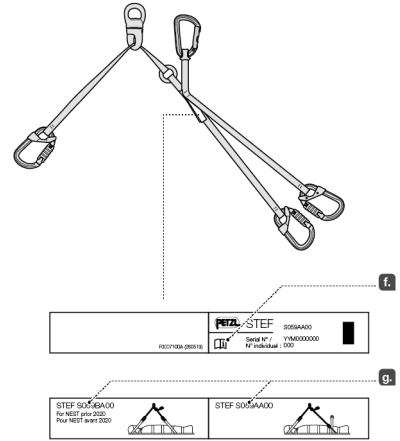
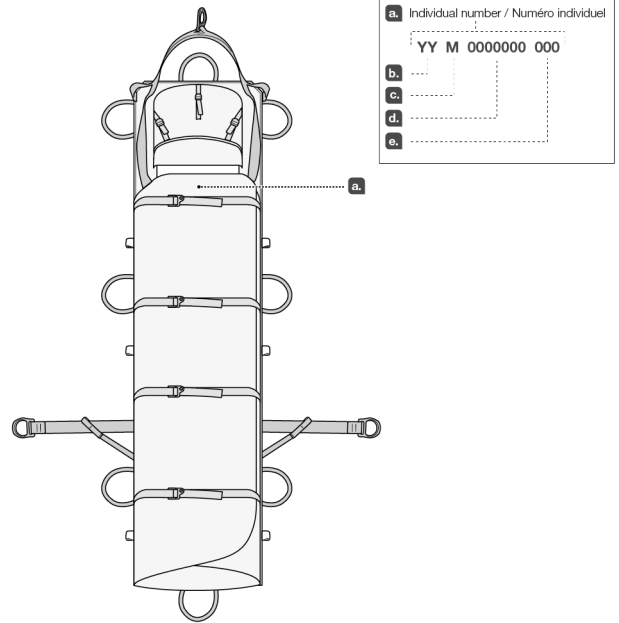
Les activités impliquant l'utilisation de cet équipement sont par nature dangereuses. Vous êtes responsable de vos actes, de vos décisions et de votre sécurité.

- Avant d'utiliser cet équipement, vous devez :
- Lire et comprendre toutes les instructions d'utilisation.
  - Vous former spécifiquement à l'utilisation de cet équipement.
  - Vous familiariser avec votre équipement, apprendre à connaître ses performances et ses limites.
  - Comprendre et accepter les risques induits.



**LE NON-RESPECT D'UN SEUL DE CES AVERTISSEMENTS PEUT ÊTRE LA CAUSE DE BLESSURES GRAVES OU MORTELLES.**

## Traceability and markings Traçabilité et marquage



PETZL.COM



Latest version  
Dernière version



Other languages  
Autres langues



Technical tips  
Conseils techniques



PPE checking  
Fiche de contrôle EPI

Warning symbols  
Panneaux d'alertes



PETZL  
F-38920 Crolles  
Cicex 105A  
PETZL.COM  
ISO 9001  
© Petzl

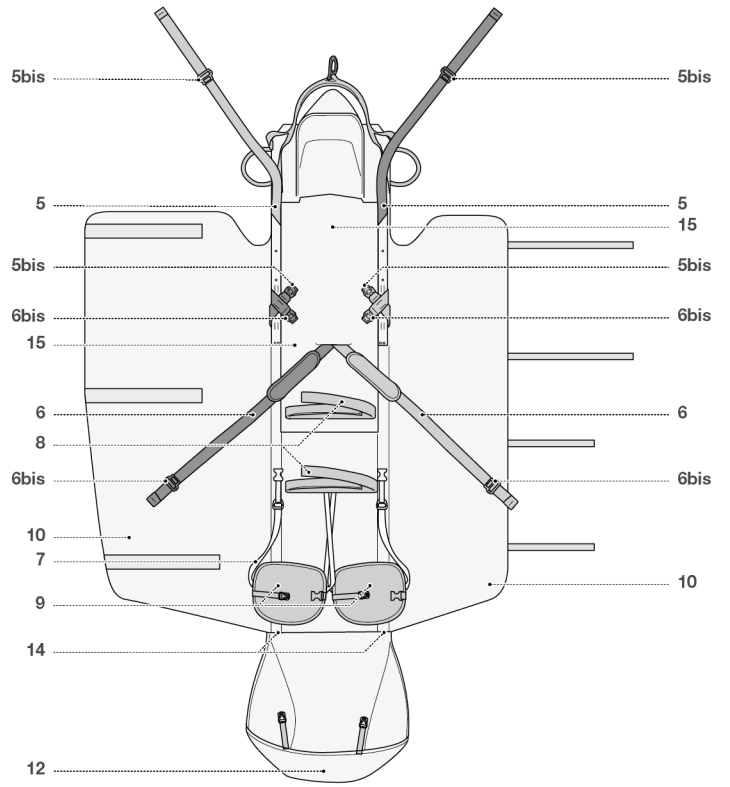
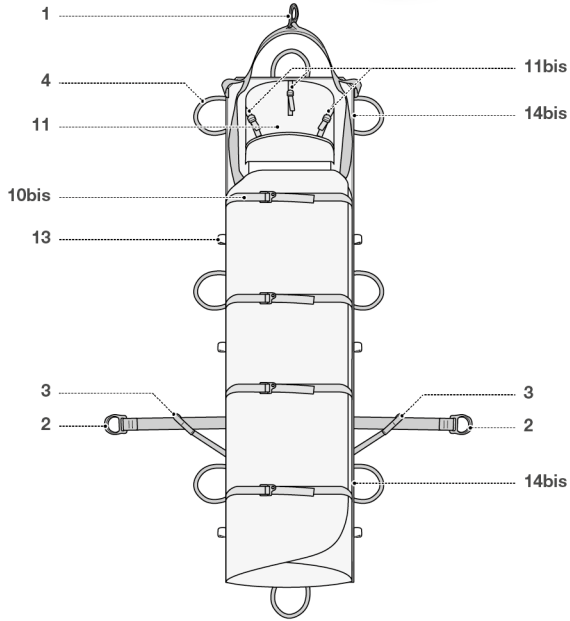


Sustaining our Community  
Au service de la Communauté  
FONDATION-PETZL.ORG

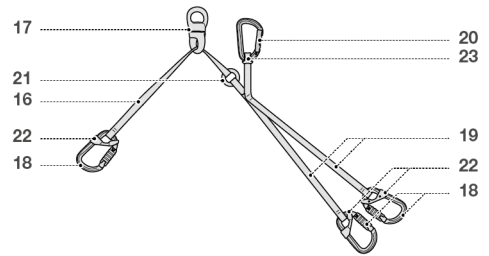
1. Field of application (text part)  
 Champ d'application (partie texte)

2. Nomenclature

**NEST**

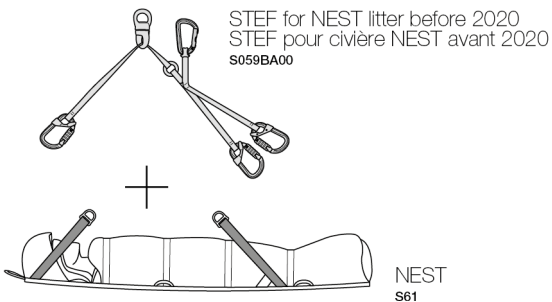
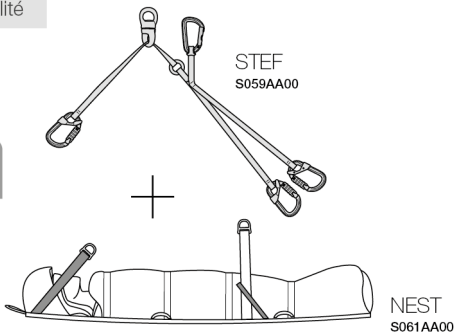


**STEF**

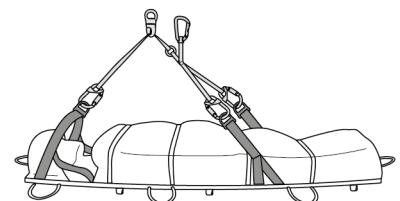
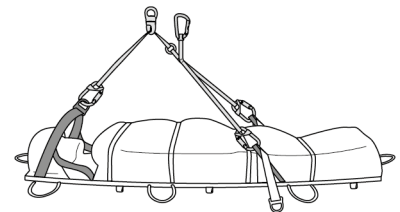


3. Inspection, points to verify (text part)  
 Contrôle, points à vérifier (partie texte)

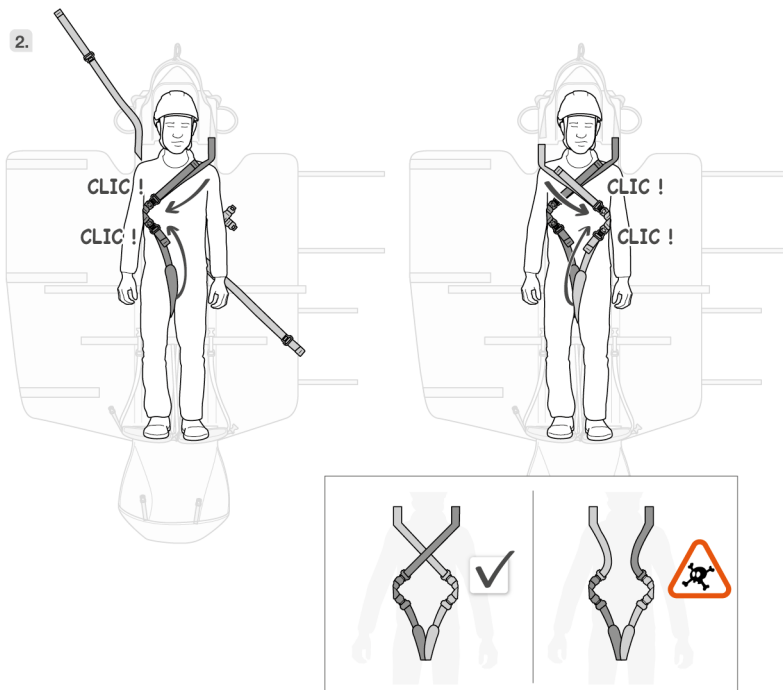
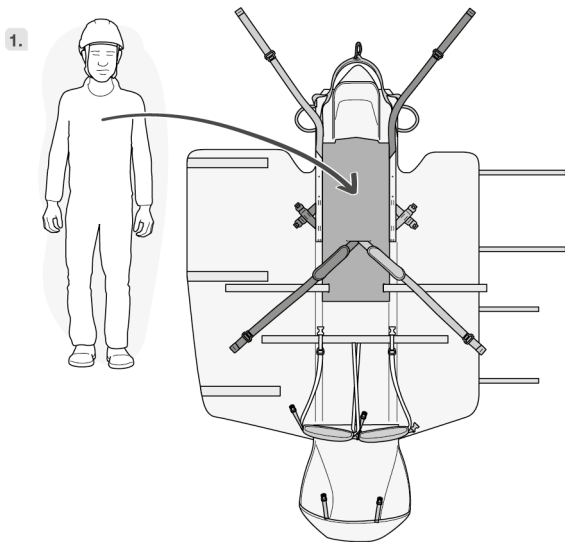
4. Compatibility  
 Compatibilité



5. Installing the STEF on the litter  
 Installation du STEF sur la civière

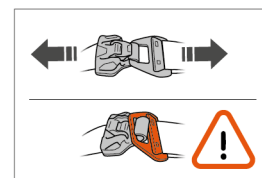
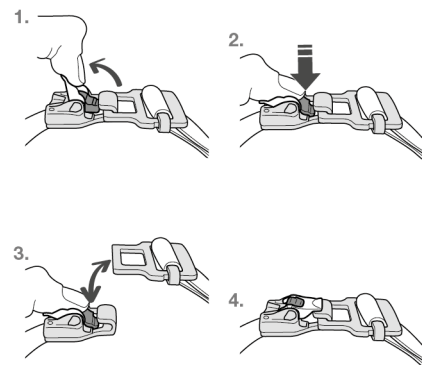


6. Installing the patient  
Installation du blessé

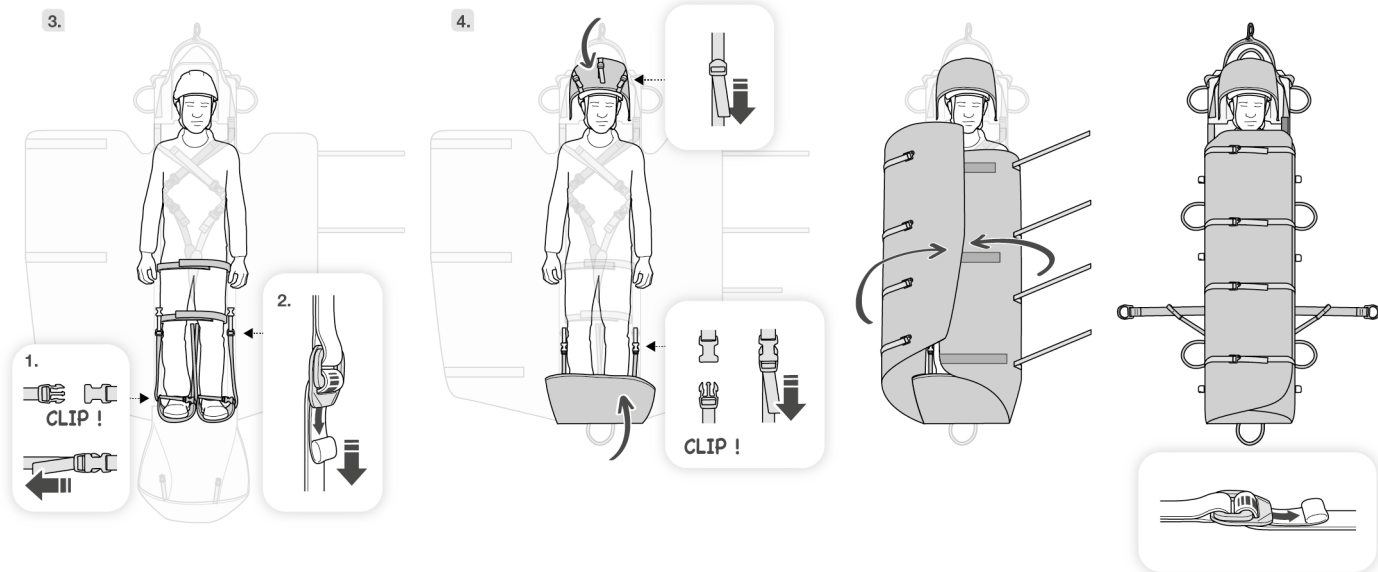


FAST LT PLUS

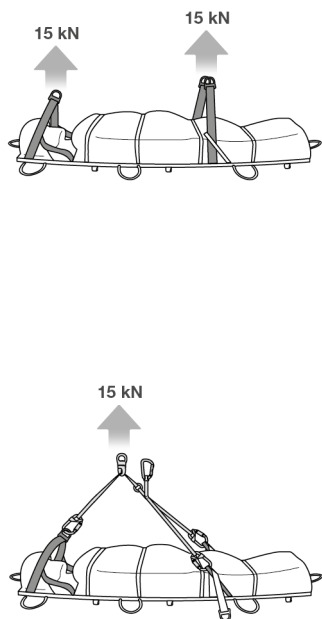
Open - Close  
Ouvrir - Fermer



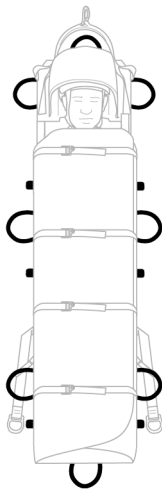
**6.** Installing the patient  
Installation du blessé



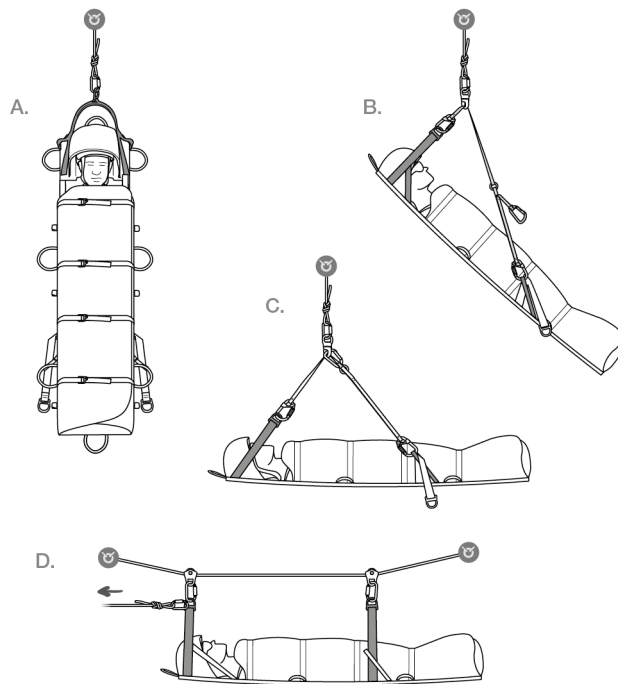
**7.** Attachment points  
Points de connexion



**8.** Litter handling points  
Points de manipulation de la civière

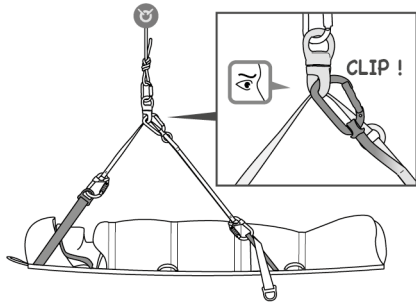


**9.** Evacuation configurations  
Configuration d'évacuation

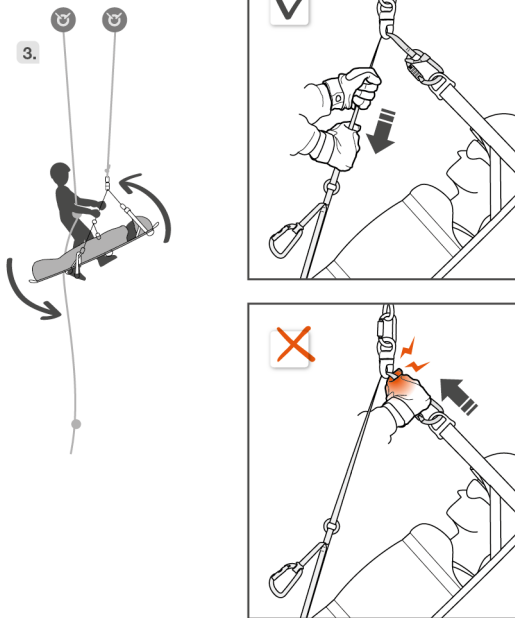
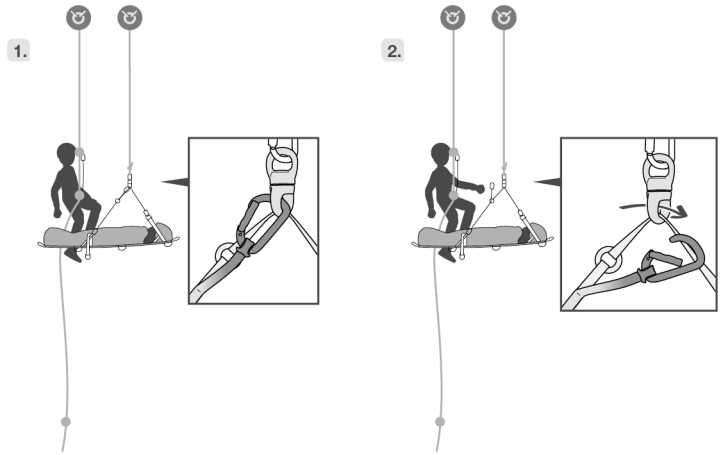


10. Evacuation with the STEF  
Evacuation avec le STEF

10a. Litter in horizontal position  
Civière en position horizontale

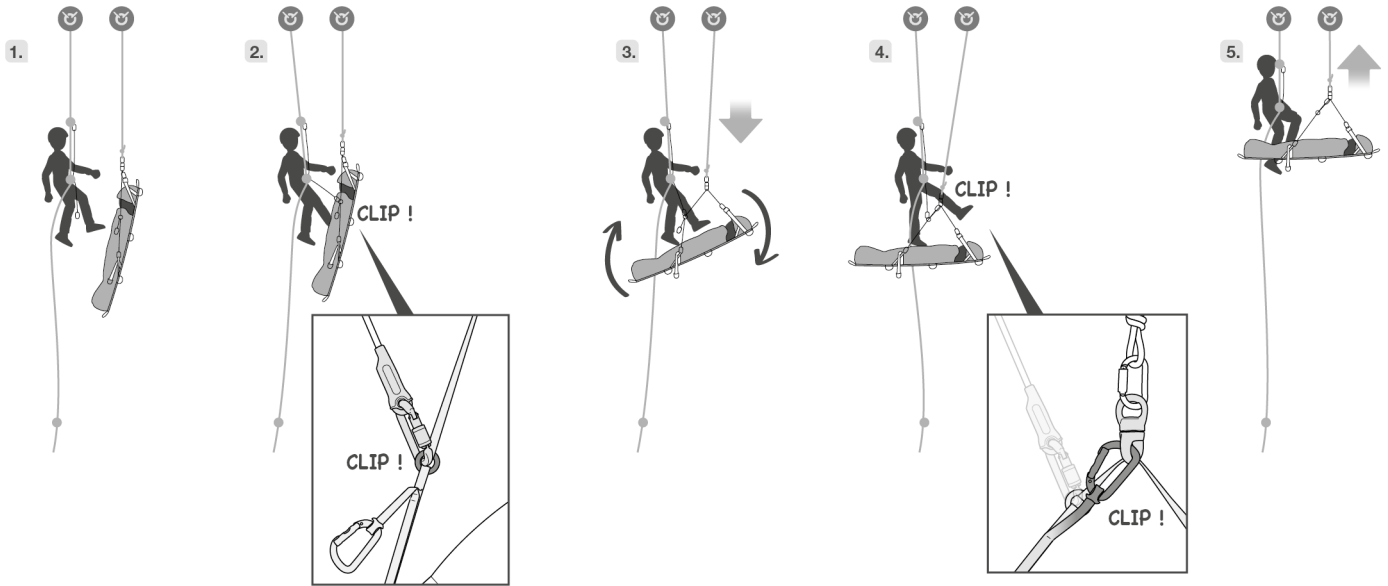


10b. Changing from horizontal position to inclined position  
Transfert position horizontale à quasi verticale



**10.** Evacuation with the STEF  
Evacuation avec le STEF

**10c.** Changing from inclined position to horizontal position  
Transfert position quasi verticale à horizontale



**11.** Transporting the litter  
Transport de la civière

Accessories  
Accessoire

Bag for litter  
Sac pour civière  
S062AA00

**12.** Additional information  
Informations complémentaires

<p><b>A. Lifetime / Durée de vie</b></p> <p>Serial n / N° de série 00 XXX XX XXXX + 10 years ans</p>	<p><b>B. Markings / Marquage</b></p>	<p><b>C. Acceptable T° / T° tolérées</b></p> <p>+ 50°C / + 122°F - 30°C / - 22°F</p>
<p><b>D. Precautions for use / Précautions d'usage</b></p> <p>etc...</p>		
<p><b>E. Cleaning - Disinfection / Nettoyage - Désinfection</b></p> <p>+ 30°C maxi. + 86°F maxi.</p>		
<p><b>F. Drying / Séchage</b></p> <p>+ 30°C maxi. + 86°F maxi.</p>	<p><b>G. Storage - Transport / Stockage - transport</b></p>	
<p><b>H. Modifications - Repairs / Modifications - Réparations</b></p> <p>→ Petzl</p>	<p><b>I. FAQ - Contact / Questions - Contact</b></p> <p>→ petzl.com</p>	

These instructions explain how to correctly use your equipment. Only certain techniques and uses are described.

The warning symbols inform you of some potential dangers related to the use of your equipment, but it is impossible to describe them all. Check Petzl.com for updates and additional information.

You are responsible for heeding each warning and using your equipment correctly. Any misuse of this equipment will create additional dangers. Contact Petzl if you have any doubts or difficulty understanding these instructions.

## 1. Field of application

NEST: litter (200 x 50 x 5 cm) for rescue in difficult access situations. Designed for a weight of 150 kg maximum and height between 1.50 m and 1.90 m.

STEF: orientation device for the NEST litter. For use only with the NEST litter.

STEF for pre-2020 NEST litter: orientation device for pre-2020 NEST litter. For use only with the pre-2020 NEST litter.

These products must not be loaded beyond their strength ratings, nor be used for any purpose other than that for which they are designed.

## Responsibility

### WARNING

**Activities involving the use of this equipment are inherently dangerous. You are responsible for your own actions and decisions**

Before using this equipment, you must:

- Read and understand all Instructions for Use.
- Get specific training in its proper use.
- Become acquainted with its capabilities and limitations.
- Understand and accept the risks involved.

**Failure to heed any of these warnings may result in severe injury or death.**

WARNING: training is essential before use. This training must be suitable for the practices defined in the Field of Application.

This product must only be used by competent and responsible persons, or those placed under the direct and visual control of a competent and responsible person. You are responsible for your actions, your decisions and your safety and you assume the consequences of same. If you are not able, or not in a position to assume this responsibility, or if you do not fully understand the Instructions for Use, do not use this equipment.

## 2. Nomenclature

### NEST

(1) Head end attachment point, (2) Side attachment points, (3) STEF attachment points, (4) Carry handles, (5) Torso straps, (6 bis) FAST LT PLUS torso strap buckles, (6) Leg straps, (6 bis) FAST LT PLUS leg strap buckles, (7) Foot support adjustment straps, (8) Positioning straps, (9) Foot supports, (10) Flaps, (10 bis) Flap closure straps, (11) Head cover, (11 bis) Head cover adjustment strap, (12) Foot cover, (13) Accessory attachment points, (14) Sleeve for longitudinal stays, (14 bis) Sleeve for transverse stays, (15) Foam pad.

### STEF

(16) Head end single strap, (17) SWIVEL, (18) Am'D, (19) Foot end double straps, (20) Sm'D, (21) Ring, (22) CAPTIV, (23) STRING.

### Principal materials

Straps: polyester.  
Buckles: steel, aluminum alloy.  
Safety attachment point: aluminum alloy.  
Tarp fabric: thermoplastic polyurethane (TPU).

## 3. Inspection, points to verify

Your safety is related to the integrity of your equipment.

Petzl recommends a detailed inspection by a competent person at least once every 12 months (depending on current regulations in your country, and your conditions of usage). Follow the procedures described at Petzl.com. Record the results on your PPE inspection form: type, model, manufacturer contact info, serial number or individual number, dates: manufacture, purchase, first use, next periodic inspection; problems, comments, inspector's name and signature.

### Before each use

Check the condition of the harness straps and attachment points.

Verify that the FAST LT PLUS buckles function properly.

Check the presence and condition of the STRINGS and the CAPTIVs, and that they are correctly assembled with the connectors / webbing.

Look for cuts, wear and damage due to use, to heat, to chemicals... Be particularly careful to check for cut or loose threads.

Consult the details of the inspection procedure to be carried out for each item of PPE at Petzl.com.

Contact Petzl if you have any doubts.

### During use

It is important to regularly monitor the condition of the product and its connections to the other equipment in the system. Make sure that all items of equipment are correctly positioned with respect to each other.

## 4. Compatibility

Verify that this product is compatible with the other elements of the system in your application (compatible = good functional interaction).

The STEF (S059AA00) is compatible with the 2020 NEST (S061AA00), but is not compatible with the pre-2020 NEST (S61).

## 5. Installing the STEF on the litter

The STEF single strap is connected to the NEST head end attachment point and the double straps are connected to the STEF attachment points on the NEST. The Sm'D carabiner must be placed upward. The straps must not be twisted.

Litter hauling is done only on the SWIVEL, or on the litter's head end attachment point.

Warning: depending on the products used, (configuration before 2020 or after 2020), be sure to use the correct attachment points by referring to the drawings.

## 6. Installing the patient

1. Place the litter on a stable base.

Open the flaps and lay them aside. Unbuckle the harness straps. Loosen the foot support straps.

Place the patient on the litter. The patient's shoulders are to be placed at the top of the foam pad, regardless of his or her height. The patient must be wearing a helmet and protective eyewear.

2. Lock the FAST LT PLUS buckles on the torso and leg straps, observing the color code. Warning: observe the correct strap configuration on the patient, as indicated in the drawings.

3. Fasten the positioning straps.

Adjust the length of the foot support straps and fasten the foot support buckles. Make sure all of the straps are tight enough to hold the patient securely, without creating painful pressure points.

4. Fold the head and foot covers over and fasten the head and foot cover buckles. Close the flaps, or fold them to the sides, depending on the temperature, presence of water... Tighten the flap straps. The patient's arms can be inside or outside of the litter.

Some safety elements may or may not be secured in place, depending upon the nature of the patient's wounds as determined by the physician, and the difficulty of the evacuation.

## 7. Attachment points

Breaking strength of the attachment points: 15 kN.

Use only these points to connect the litter to an anchor.

When using the side attachment points, be sure to always use the two points together.

## 8. Litter handling points

The litter handling points consist of the eight carry handles, as well as the eight accessory attachment points.

Handle breaking strength: 4 kN.

Accessory attachment point breaking strength: 1 kN.

Warning: these points must not be used to attach the litter to an anchor, nor to anchor a person.

## 9. Evacuation configurations

Each of the evacuation configurations applies to the following two configurations:

- As of 2020: the NEST on its own, or combined with the STEF.
- Before 2020: the pre-2020 NEST on its own, or combined with the STEF for the pre-2020 NEST.

Be sure to follow the diagram for installing the STEF on the litter for each of the configurations above.

For reasons of clarity, the drawings do not show all of the techniques used during rescue with a litter. Get training in these techniques before using the litter.

Warning: do not hoist the litter on the carry handles.

### A. Vertical litter

Evacuation is done using the head end attachment point. Adapted for narrow openings. Limits rockfall risk for the patient. Minimum patient comfort.

### B. Near-vertical litter

We advise you to use the STEF. Good comfort/bulk compromise.

### C. Horizontal litter

We advise you to use the STEF. Comfortable for the patient, but increases bulk and patient exposure to rockfall. May be ordered by the doctor.

### D. Tyrolean

## 10. Evacuation with the STEF

Each of the evacuation techniques with the STEF applies to the following two configurations:

- As of 2020: NEST and STEF.
- Before 2020: pre-2020 NEST and STEF for the pre-2020 NEST.

Be sure to follow the diagram for installing the STEF on the litter for each of the configurations above.

### a. Litter in horizontal position

To secure this position, clip the Sm'D to the SWIVEL.

### b. Changing from horizontal position to inclined position

The rescuer, attached to an independent rope, faces the litter. S/he detaches the Sm'D carabiner. The rescuer then positions his/her hands on the two straps (foot end) and tilts the litter, possibly by pushing on the litter with his/her feet. Warning: do not place your hands on the head end; you may not be able to control the rate of tilt, and there is a risk of pinching your hands.

### c. Changing from inclined position to horizontal position

The rescuer attaches his/her short lanyard to the ring on the STEF, which will serve as a fixed point to help guide the maneuver. The rescuer ensures that the lanyard is taut.

- The controller and counterweight lower the litter. It then tilts naturally.

- The rescuer clips the Sm'D into the SWIVEL to secure the horizontal position.

The controller and counterweight raise the litter. The rescuer removes his/her lanyard from the ring.

## 11. Transporting the litter

The litter can be stored in the carrying case (S062AA00). To transport the litter in a vehicle, you can remove the longitudinal and transverse stays to fold it.

## 12. Additional information

### When to retire your equipment

WARNING: an exceptional event can lead you to retire a product after only one use, depending on the type and intensity of usage and the environment of usage (harsh environments, marine environments, sharp edges, extreme temperatures, chemicals...).

A product must be retired when:

- It is over 10 years old and made of plastic or textiles.

- It has been subjected to a major fall or load.

- It fails to pass inspection. You have any doubt as to its reliability.

- You do not know its full usage history.

- When it becomes obsolete due to changes in legislation, standards, technique or incompatibility with other equipment...

Destroy these products to prevent further use.

### Icons:

**A. Lifetime: 10 years - B. Marking - C. Acceptable temperatures - D. Usage precautions - E. Cleaning/disinfection - F. Drying - G. Storage/transport - H. Modifications/repairs** (prohibited outside of Petzl facilities, except replacement parts) - **I. Questions/contact**

### 3-year guarantee

Against any material or manufacturing defect. Exclusions: normal wear and tear, oxidation, modifications or alterations, incorrect storage, poor maintenance, negligence, uses for which this product is not designed.

### Warning symbols

1. Situation presenting an imminent risk of serious injury or death. 2. Exposure to a potential risk of accident or injury. 3. Important information on the functioning or performance of your product. 4. Equipment incompatibility.

### Traceability and markings

a. Serial number - b. Year of manufacture - c. Month of manufacture - d. Batch number - e. Individual identifier - f. Read the Instructions for Use carefully - g.

Model identification



Cette notice explique comment utiliser correctement votre équipement. Seuls certains usages et techniques sont présentés.

Les panneaux d'alerte vous informent de certains dangers potentiels liés à l'utilisation de votre équipement, mais il est impossible de tous les décrire. Prenez connaissance des mises à jour et informations complémentaires sur Petzl.com. Vous êtes responsable de la prise en compte de chaque alerte et de l'utilisation correcte de votre équipement. Toute mauvaise utilisation de cet équipement sera à l'origine de dangers additionnels. Contactez Petzl si vous avez des doutes ou des difficultés de compréhension.

## 1. Champ d'application

NEST : civière (200 x 50 x 5 cm) pour le secours en milieux difficiles d'accès. Conçue pour un poids de 150 kg maximum et une taille comprise entre 1,50 m et 1,90 m.

STEF : dispositif d'inclinaison de la civière NEST. Pour usage uniquement avec la civière NEST.

STEF pour civière NEST avant 2020 : dispositif d'inclinaison de la civière NEST avant 2020. Pour usage uniquement avec la civière NEST avant 2020.

Ces produits ne doivent pas être sollicités au-delà de leurs limites ou dans toute autre situation que celle pour laquelle ils sont prévus.

## Responsabilité

### ATTENTION

**Les activités impliquant l'utilisation de cet équipement sont par nature dangereuses.**

**Vous êtes responsable de vos actes et de vos décisions.**

Avant d'utiliser cet équipement, vous devez :

- Lire et comprendre toutes les instructions d'utilisation.
- Vous former spécifiquement à l'utilisation de cet équipement.
- Vous familiariser avec votre équipement, apprendre à connaître ses performances et ses limites.
- Comprendre et accepter les risques induits.

**Le non-respect d'un seul de ces avertissements peut être la cause de blessures graves ou mortelles.**

ATTENTION, une formation est indispensable avant utilisation. Cette formation doit être adaptée aux pratiques définies dans le champ d'application.

Ce produit ne doit être utilisé que par des personnes compétentes et avisées ou placées sous le contrôle visuel direct d'une personne compétente et avisée.

Vous êtes responsable de vos actes, de vos décisions et de votre sécurité et en assumez les conséquences. Si vous n'êtes pas en mesure d'assumer cette responsabilité, ou si vous n'avez pas bien compris les instructions d'utilisation, n'utilisez pas cet équipement.

## 2. Nomenclature

### NEST

(1) Point de connexion côté tête, (2) Points de connexion latéraux, (3) Points d'attache du STEF, (4) Poignées de portage, (5) Sangles de torse, (5 bis) Boucles FAST LT PLUS de torse, (6) Sangle de cuisses, (6 bis) Boucles FAST LT PLUS de cuisses, (7) Sangles de réglage de supports de pied, (8) Sangles de maintien, (9) Supports de pied, (10) Rabats, (10 bis) Sangles de fermeture de rabats, (11) Capuche de tête, (11 bis) Sangle de réglage de la capuche de tête, (12) Capuche de pieds, (13) Points d'accroche d'accessoires, (14) Passage de lattes longitudinales, (14 bis) Passage de lattes transversales, (15) Matelas mousse.

### STEF

(16) Sangle simple côté tête, (17) SWIVEL, (18) Am'D, (19) Sangles doubles côté pieds, (20) Sm'D, (21) Anneau, (22) CAPTIV, (23) STRING.

### Matériaux principaux

Sangles : polyester.

Boucles : acier, alliage d'aluminium.

Point d'attache de sécurité : alliage d'aluminium.

Bâche : polyuréthane thermoplastique (TPU).

## 3. Contrôle, points à vérifier

Votre sécurité est liée à l'intégrité de votre équipement.

Petzl conseille une vérification approfondie, par une personne compétente, au minimum tous les 12 mois (en fonction de la réglementation en vigueur dans votre pays et de vos conditions d'utilisation). Respectez les modes opératoires décrits sur le site Petzl.com. Enregistrez les résultats sur la fiche de vie de votre EPI : type, modèle, coordonnées du fabricant, numéro de série ou numéro individuel, dates : fabrication, achat, première utilisation, prochains examens périodiques, défauts, remarques, nom et signature du contrôleur.

### Avant toute utilisation

Vérifiez l'état des sangles du harnais et des points d'attache.

Vérifiez le bon fonctionnement des boucles FAST LT PLUS.

Vérifiez la présence et l'état des STRING et des CAPTIV, ainsi que leur bon assemblage avec les connecteurs / sangles.

Surveillez les coupures, usures et dommages dus à l'utilisation, à la chaleur, aux produits chimiques... Attention aux fils coupés ou distendus.

Consultez le détail du contrôle à effectuer pour chaque EPI sur le site Petzl.com. En cas de doute, contactez Petzl.

### Pendant l'utilisation

Il est important de contrôler régulièrement l'état du produit et de ses connexions avec les autres équipements du système. Assurez-vous du bon positionnement des équipements les uns par rapport aux autres.

## 4. Compatibilité

Vérifiez la compatibilité de ce produit avec les autres éléments du système dans votre application (compatibilité – bonne interaction fonctionnelle).

Le STEF (S069AA00) est compatible avec le modèle de NEST à partir de 2020 (S061AA00), mais n'est pas compatible avec l'ancien modèle de NEST avant 2020 (S61).

## 5. Installation du STEF sur la civière

La sangle simple du STEF est reliée au point de connexion côté tête de la NEST et les sangles doubles sont reliées aux points d'attache du STEF sur la NEST. Le mousqueton Sm'D doit être placé vers le haut. Les sangles ne doivent pas être vrillées.

La traction de la civière se fait uniquement sur le SWIVEL, ou sur le point d'attache côté tête de la civière.

Attention, en fonction des produits utilisés (configuration avant 2020 ou après 2020), veillez à utiliser les bons points d'attache en vous référant aux dessins.

## 6. Installation du blessé

1. Posez la civière sur un emplacement stable.

Ouvrez les rabats et repliez-les sur le côté. Retirez les sangles des boucles du harnais complet. Desserrez les sangles des supports de pied.

Placez le blessé sur la civière. Le haut du matelas mousse correspond à l'emplacement des épaules du blessé, quelle que soit sa taille. Le blessé doit être casqué et porter des lunettes de sécurité.

2. Verrouillez les boucles FAST LT PLUS de sangle de torse et de cuisses en respectant le code couleur. Attention, respectez le bon schéma de passage de sangle sur la victime, comme indiqué sur les dessins.

3. Fermez les sangles de maintien.

Ajustez la longueur des sangles des supports de pied et clippez les boucles des supports de pied.

Veillez à ce que l'ensemble des sangles soit suffisamment serré pour le maintien de la victime, tout en limitant les points d'appui douloureux.

4. Rabattez les capuches de tête et de pieds et clippez les boucles de la capuche de pieds. Fermez les rabats, ou repliez-les sur les côtés, selon la température, la présence d'eau... Serrez les sangles des rabats. Les bras du blessé peuvent être à l'intérieur ou à l'extérieur.

Les divers éléments de sécurité seront mis en place, ou non, selon la nature des lésions constatées par le médecin, et les difficultés à franchir pendant le transport.

## 7. Points de connexion

Charge de rupture des points de connexion : 15 kN.

Seuls ces points permettent de connecter la civière à un ancrage.

Lors de l'utilisation des points de connexion latéraux, veillez à toujours utiliser les deux points ensemble.

## 8. Points de manipulation de la civière

Les points de manipulation de la civière sont constitués de huit poignées de portage, ainsi que de huit points d'accroche d'accessoires.

Charge de rupture des poignées : 4 kN.

Charge de rupture des points d'accroche d'accessoires : 1 kN.

Attention, ces points ne permettent pas de relier la civière à un ancrage, ni à un secouriste de s'y longer.

## 9. Configurations d'évacuation

Chacune des configurations d'évacuation est applicable aux deux configurations suivantes :

- À partir de 2020 : NEST seule ou associée au STEF.

- Avant 2020 : NEST avant 2020 seule ou associée au STEF pour civière NEST avant 2020.

Veillez à respecter le schéma d'installation du STEF sur la civière pour chacune des configurations ci-dessus.

Pour des raisons de clarté, les dessins ne présentent pas l'ensemble des techniques utilisées lors d'un secours avec une civière. Formez-vous à ces techniques avant toute utilisation de la civière.

Attention, ne hissez pas la civière sur les poignées de portage.

### A. Civière verticale

L'évacuation s'effectue sur le point de connexion côté tête. Adaptée aux puits étroits. Limite le risque de chutes de pierres sur le blessé. Confort minimum pour le blessé.

### B. Civière quasi verticale

Nous vous préconisons d'utiliser le STEF. Bon compromis confort/encombrement.

### C. Civière horizontale

Nous vous préconisons d'utiliser le STEF. Confortable pour le blessé, mais position encombrante et blessé plus exposé aux chutes de pierres. Peut être imposée par le médecin.

### D. Tyrolienne

## 10. Évacuation avec le STEF

Chacune des techniques d'évacuation avec le STEF est applicable aux deux configurations suivantes :

- À partir de 2020 : NEST et STEF.

- Avant 2020 : NEST avant 2020 et STEF pour civière NEST avant 2020.

Veillez à respecter le schéma d'installation du STEF sur la civière pour chacune des configurations ci-dessus.

### a. Civière en position horizontale

Pour sécuriser cette position, clippez le Sm'D dans le SWIVEL.

### b. Transfert position horizontale à quasi verticale

Le secouriste, placé sur une corde indépendante, se met face à la civière. Il détache le mousqueton Sm'D. Le secouriste positionne ensuite ses mains sur les deux sangles (côté pieds) et bascule la civière, éventuellement en appuyant avec les pieds sur la civière. Attention à ne pas placer les mains côté tête : risque de ne pas réussir à freiner le basculement et risque de pincement des mains.

### c. Transfert position quasi verticale à horizontale

Le secouriste installe sa longe courte sur l'anneau du STEF, qui va servir de point fixe et va guider la manœuvre. Le secouriste fait en sorte que la longe soit tendue.

- Le régulateur et le contrepoids font descendre la civière. Elle bascule alors naturellement.

- Le secouriste clippe le Sm'D dans le SWIVEL pour sécuriser la position horizontale. Le régulateur et le contrepoids font monter la civière. Le secouriste retire sa longe de l'anneau.

## 11. Transport de la civière

La civière peut être rangée dans la housse de transport (S062AA00). Pour

transporter la civière dans un véhicule, vous pouvez retirer les lattes longitudinales et transversales pour la plier.

## 12. Informations complémentaires

### Mise au rebut

ATTENTION, un événement exceptionnel peut vous conduire à rebuter un produit après une seule utilisation (type et intensité d'utilisation, environnements d'utilisation : milieux agressifs, milieux marins, arêtes coupantes, températures extrêmes, produits chimiques...).

Un produit doit être rebuté quand :

- Il a plus de 10 ans et est composé de plastique ou de textile.

- Il a subi une chute ou un effort important.

- Le résultat des vérifications du produit n'est pas satisfaisant. Vous avez un doute sur sa fiabilité.

- Vous ne connaissez pas son historique complet d'utilisation.

- Quand son usage est obsolète (évolution législative, normative, technique ou incompatibilité avec d'autres équipements...).

Détruisez ces produits pour éviter une future utilisation.

### Pictogrammes :

**A. Durée de vie : 10 ans - B. Marquage - C. Températures tolérées - D. Précautions d'usage - E. Nettoyage/désinfection - F. Séchage - G. Stockage/transport - H. Modifications/réparations** (interdites hors des ateliers Petzl), sauf pièces de rechange) - **I. Questions/contact**

### Garantie 3 ans

Contre tout défaut de matière ou fabrication. Sont exclus : usure normale, oxydation, modifications ou retouches, mauvais stockage, mauvais entretien, négligences, utilisations pour lesquelles ce produit n'est pas destiné.

### Panneaux d'alerte

1. Situation présentant un risque imminent de blessure grave ou mortelle. 2. Exposition à un risque potentiel d'incident ou de blessure. 3. Information importante sur le fonctionnement ou les performances de votre produit. 4. Incompatibilité matérielle.

### Traçabilité et marquage

a. Numéro individuel - b. Année de fabrication - c. Mois de fabrication - d. Numéro de lot - e. Identifiant individuel - f. Lire attentivement la notice technique - g. Identification du modèle



In dieser Gebrauchsanweisung wird erklärt, wie Sie Ihr Produkt richtig verwenden. Es werden nur einige der Verwendungen und Techniken dargestellt. Die Warnhinweise informieren Sie über mögliche Gefahren bezüglich der Verwendung Ihres Produkts. Es ist jedoch nicht möglich, alle erwägbareren Fälle zu beschreiben. Bitte nehmen Sie Kenntnis von den Aktualisierungen und zusätzlichen Informationen auf Petzl.com.

Sie sind für die Beachtung der Warnhinweise und für die sachgemäße Verwendung Ihres Produkts verantwortlich. Jede fehlerhafte Verwendung des Produkts bedeutet eine zusätzliche Gefahrenquelle. Wenn Sie Zweifel haben oder etwas nicht richtig verstehen, wenden Sie sich bitte an Petzl.

## 1. Anwendungsbereich

NEST: Rettungstrage (200 x 50 x 5 cm) für Rettungseinsätze in schwer zugänglichen Bereichen. Für ein Gewicht von maximal 150 kg und eine Körpergröße zwischen 1,50 m und 1,90 m konzipiert.

STEF: Ausgleichsvorrichtung für die NEST-Rettungstrage. Ausschließlich für die Verwendung mit der NEST-Rettungstrage bestimmt. STEF für NEST-Rettungstrage vor 2020: Ausgleichsvorrichtung für die NEST-Rettungstrage vor 2020. Ausschließlich für die Verwendung mit der NEST-Rettungstrage vor 2020 bestimmt.

Diese Produkte dürfen nicht über ihre Grenzen hinaus belastet werden. Sie dürfen ausschließlich zu dem Zweck verwendet werden, für den sie entwickelt wurden.

## Haftung

### WARNUNG

**Aktivitäten, bei denen diese Ausrüstung zum Einsatz kommt, sind naturgemäß gefährlich.**

**Für Ihre Handlungen und Entscheidungen sind Sie selbst verantwortlich.**

Vor dem Gebrauch dieser Ausrüstung müssen Sie:

- Die Gebrauchsanleitung vollständig lesen und verstehen.
- Fachgerecht zur richtigen Benutzung der Ausrüstung ausgebildet sein.
- Sich mit Ihrer Ausrüstung vertraut machen, die Möglichkeiten und Grenzen kennen lernen.
- Die mit dem Einsatz verbundenen Risiken verstehen und akzeptieren.

**Die Nichtberücksichtigung auch nur einer dieser Warnungen kann zu schweren Verletzungen oder sogar Tod führen.**

Achtung: Vor dem Gebrauch ist eine Ausbildung unerlässlich. Diese fachliche Einweisung muss auf die im Abschnitt „Bestimmungsgemäßer Gebrauch“ genannten Aktivitäten ausgerichtet sein.

Dieses Produkt darf nur von kompetenten und besonnenen Personen verwendet werden oder von Personen, die unter der direkten Aufsicht und visuellen Kontrolle einer kompetenten und besonnenen Person stehen.

Sie sind für Ihre Handlungen, Entscheidungen und für Ihre Sicherheit verantwortlich und tragen die Konsequenzen. Wenn Sie nicht in der Lage sind, diese Verantwortung zu übernehmen, oder wenn Sie die Gebrauchshinweise nicht richtig verstanden haben, benutzen Sie diese Ausrüstung nicht.

## 2. Benennung der Teile

### NEST

(1) Verbindungsöse am Kopfteil, (2) Seitliche Verbindungsösen, (3) Befestigungspunkte für die STEF-Ausgleichsvorrichtung, (4) Tragegriffe, (5) Brustgurte, (6 bis) FAST LT PLUS-Schnallen der Brustgurte, (6) Beingurte, (6 bis) FAST LT PLUS-Schnallen der Beingurte, (7) Riemen zum Einstellen der Fußhalterungen, (8) Halterriemen, (9) Fußhalterungen, (10) Umschlagdecke, (10 bis) Verschlussriemen der Umschlagdecke, (11) Kopfhäube, (11 bis) Einstellriemen der Kopfhäube, (12) Fußhaube, (13) Befestigungsösen für Zubehör, (14) Öffnung für die Längsstangen, (14 bis) Öffnung für die Querstangen, (15) Schaumstoffmatratze.

### STEF

(16) Einfacher Gurt zur Befestigung am Kopfteil, (17) SWIVEL, (18) Am'D, (19) Doppelgurt für die Fußhalterungen, (20) Sm'D, (21) Ring, (22) CAPTIV, (23) STRING.

### Hauptmaterialien

Gurtband: Polyester.  
Schnallen: Stahl, Aluminiumlegierung.  
Befestigungsöse: Aluminiumlegierung.  
Plane: thermoplastisches Polyurethan (TPU).

## 3. Überprüfung, zu kontrollierende Punkte

Ihre Sicherheit hängt vom Zustand Ihrer Ausrüstung ab.

Petzl empfiehlt, mindestens alle 12 Monate (entsprechend den in Ihrem Land geltenden Vorschriften und den Nutzungsbedingungen) eine eingehende Überprüfung durch eine kompetente Person durchführen zu lassen. Bitte beachten Sie die auf Petzl.com beschriebenen Vorgehensweisen. Tragen Sie die Ergebnisse in den Prüfbericht Ihrer PSA ein: Typ, Modell, Kontaktinformation des Herstellers, Seriennummer oder individuelle Nummer, Daten: Herstellung, Kauf, erste Anwendung, nächste regelmäßige Überprüfung, Probleme, Bemerkungen, Name und Unterschrift des Prüfers.

### Vor jedem Einsatz

Kontrollieren Sie den Zustand der Gurtriemen und der Befestigungsösen. Stellen Sie sicher, dass die FAST LT PLUS-Schnallen richtig funktionieren. Überprüfen Sie das Vorhandensein und den Zustand der STRING-Elemente und der CAPTIV-Positionierungsbügel und achten Sie auf die korrekte Verbindung mit den Verbindungselementen/Gurtbandschlaufen. Achten Sie auf Einschnitte, Abrieb oder sonstige Beschädigungen, die auf Abnutzung, Hitzeeinwirkung oder Kontakt mit chemischen Produkten usw. zurückzuführen sind. Achten Sie darauf, dass keine Fäden lose oder durchtrennt sind.

Ausführliche Hinweise bezüglich der bei jeder PSA zu kontrollierenden Punkte finden Sie im Internet unter Petzl.com.

Sollten irgendwelche Zweifel hinsichtlich des Zustands eines Produkts bestehen, senden Sie es zur Überprüfung an Petzl.

### Während des Gebrauchs

Es ist unerlässlich, den Zustand des Produkts und seiner Verbindungen mit anderen Ausrüstungsgegenständen im System regelmäßig zu überprüfen. Stellen Sie stets sicher, dass die einzelnen Ausrüstungsgegenstände im System richtig zueinander positioniert sind.

## 4. Kompatibilität

Überprüfen Sie die Kompatibilität dieses Produkts mit den anderen Elementen Ihres Systems (Kompatibilität = funktionelles Zusammenspiel). Die STEF-Ausgleichsvorrichtung (S059AA00) ist mit dem NEST-Modell ab 2020 (S061AA00), aber nicht mit dem früheren NEST-Modell vor 2020 (S61) kompatibel.

## 5. Installation der STEF-Ausgleichsvorrichtung an der Trage

Der einfache Gurt der STEF-Ausgleichsvorrichtung wird mit der Verbindungsöse am Kopfteil der NEST-Trage und der Doppelgurt wird mit den Befestigungspunkten für die STEF-Ausgleichsvorrichtung an der NEST-Trage verbunden. Der Sm'D-Karabiner muss nach oben gerichtet sein. Die Gurte dürfen nicht verdreht sein. Die Rettungstrage darf ausschließlich am SWIVEL oder an der Befestigungsöse des Kopfteils angeschlossen werden.

Achten Sie darauf, entsprechend den verwendeten Produkten (System vor 2020 oder nach 2020) die richtigen Befestigungspunkte zu benutzen (siehe Abbildungen).

## 6. Aufliegen des Verletzten

1. Stellen Sie die Rettungstrage auf eine ebene Fläche. Öffnen Sie die Umschlagdecke und schlagen Sie diese an den Seiten um. Ziehen Sie die Riemen aus den Schnallen des Komplettgurts. Lockern Sie die Riemen der Fußhalterungen.

Legen Sie den Verletzten auf die Trage. Der obere Teil der Schaumstoffmatratze entspricht der Position der Schultern des Verletzten ungeachtet seiner Körpergröße. Der Verletzte muss einen Helm und eine Sicherheitsbrille tragen.

2. Schließen Sie die FAST LT PLUS-Schnallen der Brust- und Beingurte und beachten Sie dabei die farbliche Kennzeichnung. Achtung: Legen Sie die Gurte wie in der Abbildung gezeigt am Verletzten an.

3. Schließen Sie die Halterriemen.

Passen Sie die Riemenlänge der Fußhalterungen an und schließen Sie die Schnallen.

Achten Sie darauf, dass alle Gurtbänder richtig festgezogen sind, um den Verletzten zu halten und keine schmerzhaften Druckstellen zu hinterlassen.

4. Klappen Sie Kopf- und Fußhaube herunter und schließen Sie die Schnallen der Fußhaube. Schließen Sie je nach Temperatur, Vorhandensein von Wasser usw. die Umschlagdecke oder falten Sie diese an den Seiten zusammen. Ziehen Sie die Riemen der Umschlagdecke fest. Die Arme des Verletzten können sich unter oder auf der Decke befinden.

Der Einsatz der Sicherheitselemente richtet sich nach dem von Arzt festgestellten Verletzungen und den beim Transport zu bewältigenden Schwierigkeiten.

## 7. Verbindungsösen

Bruchlast der Verbindungsösen: 15 kN.

Nur diese Ösen dürfen zum Verbinden der Rettungstrage mit einem Anschlagpunkt verwendet werden.

Achten Sie bei Verwendung der seitlichen Befestigungspunkte darauf, immer beide Ösen zusammen zu benutzen.

## 8. Tragegriffe der Rettungstrage

Die Rettungstrage verfügt über acht Tragegriffe und acht Befestigungsösen für Zubehör.

Bruchlast der Tragegriffe: 4 kN

Bruchlast der Befestigungsösen für Zubehör: 1 kN.

Achtung: Diese Befestigungsösen dürfen nicht zum Verbinden der Rettungstrage mit einem Anschlagpunkt benutzt werden und die Rettungskraft darf sich nicht in diese Ösen einhängen.

## 9. Rettungssituationen

Für jede Rettungssituation ist eine der folgenden Konfigurationen anzuwenden:

- Ab 2020: NEST-Trage allein oder mit STEF-Ausgleichsvorrichtung.
- Vor 2020: NEST-Trage vor 2020 allein oder mit STEF-Ausgleichsvorrichtung für NEST-Trage vor 2020.

Beachten Sie bei jeder dieser Konfigurationen die in den Abbildungen dargestellte Installation der STEF-Ausgleichsvorrichtung an der Rettungstrage.

Damit die Abbildungen für jeden klar verständlich sind, werden hier nicht alle bei der Bergung mit einer Rettungstrage eingesetzten Techniken dargestellt. Bevor Sie die Rettungstrage benutzen, müssen Sie eine Ausbildung in diesen Techniken absolvieren.

Achtung: Heben Sie die Rettungstrage nicht an den Tragegriffen.

### A. Vertikale Rettungstrage

Die Evakuierung erfolgt an der kopfseitigen Verbindungsöse. Geeignet für enge Schächte. Reduziert das Risiko, dass der Verletzte von herabfallenden Steinen getroffen wird. Minimaler Komfort für den Verletzten.

### B. Fast vertikale Rettungstrage

Wir empfehlen die Verwendung der STEF-Ausgleichsvorrichtung. Guter Kompromiss Komfort/Zugänglichkeit.

### C. Horizontale Rettungstrage

Wir empfehlen die Verwendung der STEF-Ausgleichsvorrichtung. Komfortable Position für den Verletzten, benötigt jedoch viel Platz und erhöht die Gefahr, dass der Verletzte von herabfallenden Steinen getroffen wird. Kann vom Arzt vorgeschrieben werden.

### D. Seilbahn

## 10. Evakuierung mit der STEF-Ausgleichsvorrichtung

Für die Evakuierungstechnik mit der STEF-Ausgleichsvorrichtung ist eine der folgenden Konfigurationen anzuwenden:

- Ab 2020: NEST und STEF.
  - Vor 2020: NEST vor 2020 und STEF für NEST-Trage vor 2020.
- Beachten Sie bei jeder dieser Konfigurationen die in den Abbildungen dargestellte Installation der STEF-Ausgleichsvorrichtung an der Rettungstrage.

### a. Rettungstrage in horizontaler Position

Zum Sichern dieser Position hängen Sie den Sm'D in den SWIVEL.

### b. Transfer von der horizontalen in die vertikale Position

Die an einem getrennten Seil hängende Rettungskraft platziert sich vor die Rettungstrage. Sie hängt den Sm'D-Karabiner aus. Dann nimmt die Rettungskraft beide Gurte (Fußteil) in die Hände und kippt die Rettungstrage, indem sie eventuell mit den Füßen auf die Trage drückt. Warnung: Platzieren Sie die Hände nicht am Kopfteil: Es besteht das Risiko, dass Sie die Kippbewegung der Trage nicht halten können und sich die Hände einklemmen.

### c. Transfer von der vertikalen in die horizontale Position

Die Rettungskraft hängt ihr kurzes Verbindungsmittel in den Ring der STEF-Ausgleichsvorrichtung, welcher als Fixpunkt dient und den Vorgang steuert. Die Rettungskraft sorgt dafür, dass das Verbindungsmittel straff ist.

- Ausgleichs- und Gegengewichtssystem senken die Rettungstrage in die horizontale Position. Sie neigt sich automatisch.
- Die Rettungskraft hängt den Sm'D in den SWIVEL, um die horizontale Position zu sichern. Ausgleichs- und Gegengewichtssystem heben die Rettungstrage an. Die Rettungskraft hängt ihr Verbindungsmittel aus dem Ring aus.

## 11. Transport der Rettungstrage

Die Rettungstrage kann in der Transporthülle verstaubt werden (S062AA00). Für den Transport der Rettungstrage in einem Fahrzeug können die Längs- und Querstangen entfernt werden, um die Trage zu falten.

## 12. Zusätzliche Informationen

### Ausserdem von Ausrüstung

ACHTUNG: Außergewöhnliche Umstände können die Aussonderung eines Produkts nach einer einmaligen Anwendung erforderlich machen (Art und Intensität der Benutzung, Anwendungsbereich: aggressive Umgebungen, Meeresklima, scharfe Kanten, extreme Temperaturen, Chemikalien usw.).

In folgenden Fällen muss ein Produkt ausgesondert werden:

- Wenn es mehr als 10 Jahre alt ist (Kunststoff- und Textilprodukte).
- Achten Sie auf einen schweren Sturz oder einer schweren Belastung ausgesetzt.
- Das Produkt fällt bei der PSA-Überprüfung durch. Sie bezweifeln seine Zuverlässigkeit.
- Die vollständige Gebrauchsgeschichte ist nicht bekannt.
- Das Produkt ist veraltet (Änderung der gesetzlichen Bestimmungen, der Normen oder der technischen Vorschriften, Inkompatibilität mit anderen Ausrüstungsgegenständen usw.).
- Zerstören und entsorgen Sie diese Produkte, um ihren weiteren Gebrauch zu verhindern.

### Zeichenerklärungen:

- A. Lebensdauer: 10 Jahre - B. Markierung - C. Temperaturbeständigkeit - D. Vorsichtsmaßnahmen - E. Reinigung/Desinfektion - F. Trocknung - G. Lagerung/Transport - H. Änderungen/Reparaturen** (außerhalb der Petzl Betriebsstätten nicht zulässig, ausgenommen Ersatzteile) - **I. Fragen/Kontakt**

## 3 Jahre Garantie

Auf Material- und Fabrikationsfehler. Von der Garantie ausgeschlossen sind: normale Abnutzung, Oxidation, Modifikationen oder Nachbesserungen, unsachgemäße Lagerung, unsachgemäße Wartung, Nachlässigkeiten und Anwendungen, für die das Produkt nicht bestimmt ist.

## Warnhinweise

1. Unmittelbare Verletzungs- oder Lebensgefahr. 2. Potenzielles Unfall- oder Verletzungsrisiko. 3. Wichtige Information über die Funktionsweise oder die Leistungsangaben Ihres Produkts. 4. Inkompatibilität zwischen Ausrüstungsgegenständen.

## Rückverfolgbarkeit und Markierung

a. Individuelle Nummer - b. Herstellungsmonat - c. Herstellungsmonat - d. Nummer der Fertigungsreihe - e. Individuelle Produktnummer - f. Lesen Sie die Gebrauchsanleitung aufmerksam durch - g. Modell-Identifizierung

Questa nota informativa spiega come utilizzare correttamente il dispositivo. Solo alcune tecniche e utilizzi sono presentati.

I segnali di attenzione vi informano di alcuni potenziali pericoli legati all'utilizzo del dispositivo, ma è impossibile descriverli tutti. Prendete visione degli aggiornamenti e delle informazioni supplementari sul sito Petzl.com.

Voi siete responsabili della considerazione di ogni avviso e dell'utilizzo corretto del dispositivo. L'uso improprio di questo dispositivo causa rischi aggiuntivi. Contattare Petzl in caso di dubbi o difficoltà di comprensione.

## 1. Campo di applicazione

NEST: barella (200 x 50 x 5 cm) per il soccorso in ambienti di difficile accesso. Progettata per un peso massimo di 150 kg e una statura compresa tra 1,50 m e 1,90 m.

STEF: dispositivo d'inclinazione della barella NEST. Per l'utilizzo esclusivamente con la barella NEST.

STEF per barella NEST prima del 2020: dispositivo d'inclinazione della barella NEST prima del 2020. Per l'utilizzo esclusivamente con la barella NEST prima del 2020. Questi prodotti non devono essere sollecitati oltre i loro limiti o in qualsiasi altra situazione differente da quella per cui sono previsti.

## Responsabilità

### ATTENZIONE

**Le attività che comportano l'utilizzo di questo dispositivo sono per natura pericolose.**

**Voi siete responsabili delle vostre azioni e decisioni.**

Prima di utilizzare questo dispositivo, occorre:

- Leggere e comprendere tutte le istruzioni d'uso.
- Ricevere una formazione adeguata sul suo utilizzo.
- Acquisire familiarità con il dispositivo, imparare a conoscerne le prestazioni e i limiti.
- Comprendere e accettare i rischi indotti.

**Il mancato rispetto di una sola di queste avvertenze può essere la causa di ferite gravi o mortali.**

ATTENZIONE, prima di ogni utilizzo è indispensabile un'adeguata formazione, adattata alle attività specificate nel campo di applicazione.

Questo prodotto deve essere utilizzato esclusivamente da persone competenti e addestrate o sottoposte al controllo visivo diretto di una persona competente e addestrata.

Voi siete responsabili delle vostre azioni, delle vostre decisioni e della vostra sicurezza e ve ne assumete le conseguenze. Se non siete in grado di assumervi questa responsabilità, o se non avete compreso le istruzioni d'uso, non utilizzare questo dispositivo.

## 2. Nomenclatura

### NEST

(1) Punto di collegamento lato testa, (2) Punti di collegamento laterali, (3) Punti di attacco della STEF (4) Manici di trasporto, (5) Fettecucce del pettorale, (5 bis) Fibbie FAST LT PLUS del pettorale, (6) Fettecucia dei cosciali, (6 bis) Fibbie FAST LT PLUS dei cosciali, (7) Fettecucce di regolazione di supporto piedi, (8) Fettecucce di tenuta, (9) Supporto piede, (10) Patelle, (10 bis) Fettecucce di chiusura di patella, (11) Copritesta, (11 bis) Fettecucce di regolazione del copritesta, (12) Copripiedi, (13) Punti di aggancio accessori, (14) Passaggio di listelli longitudinali, (14 bis) Passaggio di listelli trasversali, (15) Imbottitura.

### STEF

(16) Fettecucia singola lato testa, (17) SWIVEL, (18) Am'D, (19) Fettecucce doppie lato piedi, (20) Sm'D, (21) Anello, (22) CAPTIV, (23) STRING.

### Materiali principali

Fettecucce: poliestere.  
Fibbie: acciaio, lega d'alluminio.  
Punto di attacco di sicurezza: lega di alluminio.  
Telo: poliuretano termoplastico (TPU).

## 3. Controllo, punti da verificare

La vostra sicurezza è legata all'integrità della vostra attrezzatura.

Petzl raccomanda un controllo approfondito come minimo ogni 12 mesi da parte di una persona competente (in funzione della normativa in vigore nel vostro paese e delle vostre condizioni d'uso). Rispettate le procedure descritte sul sito Petzl.com. Registrate i risultati nella scheda di vita del vostro DPI: tipo, modello, dati del fabbricante, numero di serie o numero individuale, date: fabbricazione, acquisto, primo utilizzo, successive verifiche periodiche; difetti, osservazioni; nome e firma del controllore.

### Prima di ogni utilizzo

Verificare lo stato delle fettecucce dell'imbracatura e dei punti di attacco.

Controllare il corretto funzionamento delle fibbie FAST LT PLUS.

Verificare la presenza e lo stato di STRING e CAPTIV e il loro corretto assemblaggio con connettori/fettecucce.

Fare attenzione ai tagli, all'usura e ai danni dovuti all'utilizzo, al calore, ai prodotti chimici... Attenzione ai fili tagliati o allentati.

Consultare i dettagli del controllo da effettuare per ogni DPI sul sito Petzl.com.

In caso di dubbio, contattare Petzl.

### Durante l'utilizzo

È importante controllare regolarmente lo stato del prodotto e dei suoi collegamenti con gli altri dispositivi del sistema. Assicurarsi del corretto posizionamento dei dispositivi gli uni rispetto agli altri.

## 4. Compatibilità

Verificare la compatibilità di questo prodotto con gli altri elementi del sistema nella vostra applicazione (compatibilità = buona interazione funzionale).

Lo STEF (S059AA00) è compatibile con il modello di NEST dal 2020 (S061AA00), ma non è compatibile con il vecchio modello di NEST prima del 2020 (S61).

## 5. Installazione dello STEF sulla barella

La fettecucia singola dello STEF è collegata al punto di attacco lato testa della NEST e le fettecucce doppie sono collegate ai punti di attacco dello STEF sulla NEST. Il moschettone Sm'D deve essere posizionato verso l'alto. Le fettecucce non devono essere attorcigliate.

La trazione della barella si fa esclusivamente sullo SWIVEL, o sul punto di attacco lato testa della barella.

Attenzione, in base ai prodotti utilizzati (configurazione prima del 2020 o dopo il 2020), assicurarsi di utilizzare i giusti punti di attacco facendo riferimento ai disegni.

## 6. Posizionamento dell'infortunato

1. Posizionare la barella su un piano stabile.

Aprire le patelle e ripiegarle lateralmente. Sfilare le fettecucce dalle fibbie dell'imbracatura completa. Allentare le fettecucce dei supporti piede.

Posizionare l'infortunato sulla barella. La parte superiore dell'imbottitura corrisponde alla posizione delle spalle dell'infortunato, indipendentemente dalla sua statura. L'infortunato deve indossare casco e occhiali di sicurezza.

2. Bloccare le fibbie FAST LT PLUS della fettecucia del pettorale e dei cosciali rispettando il codice colore. Attenzione, rispettare il corretto schema di passaggio della fettecucia sull'infortunato, come indicato nei disegni.

3. Chiudere le fettecucce di tenuta.

Regolare la lunghezza delle fettecucce dei supporti piede e agganciarne le fibbie.

Assicurarsi che tutte le fettecucce siano sufficientemente strette per la tenuta dell'infortunato, riducendo i punti di appoggio dolorosi.

4. Ripiegare il copritesta e il copripiedi e agganciare le fibbie del copripiedi.

Chiudere le patelle o ripiegarle ai lati, in base alla temperatura, alla presenza di acqua... Stringere le fettecucce delle patelle. Le braccia dell'infortunato possono stare all'interno o all'esterno.

I vari elementi di sicurezza saranno messi in atto, o meno, secondo la natura delle lesioni constatate dal medico e la difficoltà da superare durante il trasporto.

I vari elementi di sicurezza saranno messi in atto, o meno, secondo la natura delle lesioni constatate dal medico e la difficoltà da superare durante il trasporto.

## 7. Punti di collegamento

Carico di rottura dei punti di collegamento: 15 kN.

Solo questi punti consentono di collegare la barella ad un ancoraggio.

Durante l'utilizzo dei punti di collegamento laterali, assicurarsi di utilizzare sempre i due punti insieme.

## 8. Punti di manovra della barella

I punti di manovra della barella sono costituiti da otto manici di trasporto e da otto punti di aggancio degli accessori.

Carico di rottura dei manici: 4 kN.

Carico di rottura dei punti di aggancio degli accessori: 1 kN.

Attenzione, questi punti non consentono di collegare la barella ad un ancoraggio, né ad un soccorritore di assicurarsi.

## 9. Configurazioni di evacuazione

Ogni configurazione di evacuazione è applicabile alle due seguenti configurazioni:

- Dal 2020: NEST da sola o abbinata allo STEF.

- Prima del 2020: NEST prima del 2020 da sola o abbinata allo STEF per barella NEST prima del 2020.

Assicurarsi di rispettare lo schema d'installazione dello STEF sulla barella per ciascuna delle configurazioni di cui sopra.

Per motivi di chiarezza, i disegni non mostrano tutte le tecniche utilizzate durante il soccorso con una barella. Ricevere una formazione su queste tecniche prima di ogni utilizzo della barella.

Attenzione, non sollevare la barella sui manici di trasporto.

### A. Barella verticale

L'evacuazione si effettua sul punto di attacco lato testa. Adatto per pozzi stretti.

Riduce il rischio di caduta di pietre sull'infortunato. Comfort minimo per l'infortunato.

### B. Barella quasi verticale

Si consiglia di utilizzare lo STEF. Buon compromesso comfort/ingombro.

### C. Barella orizzontale

Si consiglia di utilizzare lo STEF. Confortevole per l'infortunato, ma posizione ingombrante e infortunato più esposto alla caduta di pietre. Può essere imposta dal medico.

### D. Teleferica

## 10. Evacuazione con lo STEF

Ogni tecnica di evacuazione con lo STEF è applicabile alle due seguenti configurazioni:

- Dal 2020: NEST e STEF.

- Prima del 2020: NEST prima del 2020 e STEF per barella NEST prima del 2020. Assicurarsi di rispettare lo schema d'installazione dello STEF sulla barella per ciascuna delle configurazioni di cui sopra.

### a. Barella in posizione orizzontale

Per assicurare questa posizione, agganciare Sm'D nello SWIVEL.

### b. Trasferimento da posizione orizzontale a quasi verticale

Il soccorritore, in posizione su una corda indipendente, si mette di fronte alla barella. Stacca il moschettone Sm'D. Il soccorritore posiziona le sue mani sulle due fettecucce (lato piedi) e muove la barella, eventualmente spingendo con i piedi sulla barella. Attenzione, non mettere le mani lato testa: rischio di non riuscire a frenare il movimento della barella e rischio di schiacciamento delle mani.

### c. Trasferimento da posizione quasi verticale a orizzontale

Il soccorritore installa la sua longe corta sull'anello dello STEF: servirà come punto fisso e guiderà la manovra. Il soccorritore fa in modo che il cordino sia teso.

- Il regolatore e il contrappeso fanno scendere la barella che si muove quindi naturalmente.

- Il soccorritore aggancia Sm'D nello SWIVEL per assicurare la posizione orizzontale. Il regolatore e il contrappeso fanno salire la barella. Il soccorritore toglie il suo cordino dall'anello.

Este folleto explica cómo utilizar correctamente su equipo. Sólo se presentan algunas utilidades y técnicas.

Las señales de advertencia le informan de algunos peligros potenciales relacionados con la utilización de su equipo, pero es imposible describirlos todos. Infórmese de las actualizaciones y de la información complementaria en Petzl.com. Usted es responsable de tener en cuenta cada una de las advertencias y de utilizar correctamente su equipo. Cualquier mala utilización de este equipo originará peligros adicionales. Contacte con Petzl si tiene dudas o dificultades de comprensión.

## 1. Campo de aplicación

NEST: camilla (200 x 50 x 5 cm) para rescates en medios de acceso difícil. Diseñada para un peso de 150 kg máximo y una estatura comprendida entre 1,50 m y 1,90 m.

STEF: dispositivo de inclinación de la camilla NEST. Para utilizar únicamente con la camilla NEST.

STEF para camilla NEST anterior a 2020: dispositivo de inclinación de la camilla NEST anterior a 2020. Para utilizar únicamente con la camilla NEST anterior a 2020. Estos productos no deben ser solicitados más allá de sus límites o en cualquier otra situación para la que no estén previstos.

## Responsabilidad

### ATENCIÓN

Las actividades que implican la utilización de este equipo son por naturaleza peligrosas.

Usted es responsable de sus actos y de sus decisiones.

Antes de utilizar este equipo, debe:

- Leer y comprender todas las instrucciones de utilización.
- Formarse específicamente en el uso de este equipo.
- Familiarizarse con su equipo y aprender a conocer sus prestaciones y sus limitaciones.
- Comprender y aceptar los riesgos derivados.

El no respeto de una sola de estas advertencias puede ser la causa de heridas graves o mortales.

ATENCIÓN: es indispensable una formación antes de cualquier utilización. Esta formación debe estar adaptada a las prácticas definidas en el campo de aplicación. Este producto sólo debe ser utilizado por personas competentes y responsables, o que estén bajo el control visual directo de una persona competente y responsable. Usted es responsable de sus actos, de sus decisiones y de su seguridad y asume las consecuencias de los mismos. Si usted no está dispuesto a asumir esta responsabilidad o si no ha comprendido bien las instrucciones de utilización, no utilice este equipo.

## 2. Nomenclatura

### NEST

(1) Punto de conexión lado cabeza, (2) Puntos de conexión laterales, (3) Puntos de enganche del STEF, (4) Asas de transporte, (5) Cintas del torso, (5 bis) Hebillas FAST LT PLUS del torso, (6) Cinta de las piernas, (6 bis) Hebillas FAST LT PLUS de las piernas, (7) Cintas de regulación de los soportes para los pies, (8) Cintas de sujeción, (9) Soportes para los pies, (10) Solapas (10 bis) Cintas de cierre de las solapas, (11) Capucha para la cabeza, (11 bis) Cinta de regulación de la capucha para la cabeza, (12) Capucha para los pies, (13) Puntos de enganche para accesorios, (14) Paso de los listones longitudinales, (14 bis) Paso de los listones transversales, (15) Colchoneta.

### STEF

(16) Cinta simple lado cabeza, (17) SWIVEL, (18) Am'D, (19) Cintas dobles lado pies, (20) Sm'D, (21) Anillo, (22) CAPTIV, (23) STRING.

### Materiales principales

Cintas: poliéster.

Hebillas: acero y aleación de aluminio.

Punto de enganche de seguridad: aleación de aluminio.

Lona: poliuretano termoplástico (TPU).

## 3. Control, puntos a verificar

Su seguridad está vinculada a la integridad de su equipo.

Petzl aconseja que una persona competente realice una revisión en profundidad cada 12 meses como mínimo (en función de la legislación en vigor en su país y de las condiciones de utilización). Respete los modos operativos descritos en la página web Petzl.com. Registre los resultados en la ficha de revisión del EPI: tipo, modelo, nombre y dirección del fabricante, número de serie o número individual, fechas: fabricación, compra, primera utilización, próximos controles periódicos, defectos, observaciones, nombre y firma del inspector.

### Antes de cualquier utilización

Compruebe el estado de las cintas del arnés y de los puntos de enganche.

Compruebe el correcto funcionamiento de las hebillas FAST LT PLUS.

Compruebe la presencia y el estado del STRING y de las CAPTIV, así como su correcto ensamblaje con los conectores/cintas.

Vigile los cortes, desgastes y daños debidos al uso, al calor, a los productos químicos... Atención a los hilos cortados o flojos.

Consulte los detalles para realizar la revisión de cada EPI en la página web Petzl.com.

En caso de duda, contacte con Petzl.

### Durante la utilización

Es importante controlar regularmente el estado del producto y de sus conexiones con los demás equipos del sistema. Asegúrese de la correcta colocación de los equipos entre sí.

## 4. Compatibilidad

Compruebe la compatibilidad de este producto con los demás elementos del sistema en su aplicación (compatibilidad = interacción funcional correcta).

El STEF (S059AA00) es compatible con el modelo de NEST a partir de 2020 (S061AA00), pero no es compatible con el modelo anterior de NEST anterior a 2020 (S61).

## 5. Instalación del STEF en la camilla

La cinta simple del STEF se une al punto de conexión lado cabeza de la NEST y las cintas dobles se unen a los puntos de enganche del STEF en la NEST. El mosquetón Sm'D debe ser colocado hacia arriba. Las cintas no deben estar retorcidas.

La tracción de la camilla se realiza únicamente sobre el SWIVEL, o sobre el punto de enganche lado cabeza de la camilla.

Atención, en función de los productos utilizados (configuración anterior a 2020 o después de 2020), asegúrese de utilizar los puntos de enganche correctos remitiéndose a los dibujos.

## 6. Colocación del herido

1. Coloque la camilla en un emplazamiento estable.

Abra las solapas y repléguelas hacia el lado. Retire las cintas de las hebillas del arnés completo. Afloje las cintas de los soportes para los pies.

Coloque el herido sobre la camilla. El borde superior de la colchoneta corresponde al emplazamiento de los hombros del herido, sea cual sea su estatura. El herido debe llevar puesto un casco y gafas de seguridad.

2. Bloquee las hebillas FAST LT PLUS de cinta del torso y de las piernas respetando el código de color. Atención, respete el esquema correcto del paso de la cinta sobre la víctima, tal y como se indica en los dibujos.

3. Cierre las cintas de sujeción.

Ajuste la longitud de las cintas de los soportes para los pies y cierre las hebillas de los soportes para los pies.

Asegúrese de que el conjunto de las cintas esté lo suficientemente ceñido para sujetar a la víctima, pero evitando en lo posible los puntos de apoyo dolorosos.

4. Cubra la cabeza y los pies con las respectivas capuchas y cierre las hebillas de la capucha para los pies. Cierre las solapas, o repléguelas hacia los lados, según la temperatura, la presencia de agua... Ciña las cintas de las solapas. Los brazos del herido pueden estar en el interior o en el exterior.

Los diferentes elementos de seguridad se colocarán, o no, según la naturaleza de las lesiones constatadas por el médico, y las dificultades de utilizar durante el transporte.

## 7. Puntos de conexión

Carga de rotura de los puntos de conexión: 15 kN.

Sólo estos puntos permiten conectar la camilla a un anclaje.

Al utilizar los puntos de conexión laterales, asegúrese de utilizar siempre los dos puntos a la vez.

## 8. Puntos de manipulación de la camilla

Los puntos de manipulación de la camilla están compuestos por ocho asas de transporte, así como ocho puntos de enganche para accesorios.

Carga de rotura de las asas: 4 kN

Carga de rotura de los puntos de enganche para accesorios: 1 kN.

Atención, estos puntos no permiten unir la camilla a un anclaje, ni al rescatador autoasegurarse.

## 9. Configuraciones de evacuación

Cada una de las configuraciones de evacuación es aplicable a las dos configuraciones siguientes:

- A partir de 2020: NEST sola o combinada con STEF.

- Anterior a 2020: NEST anterior a 2020 sola o combinada con STEF para la camilla NEST anterior a 2020.

Respete el esquema de instalación del STEF en la camilla para cada una de las configuraciones anteriores.

Por razones de claridad, los dibujos no presentan el conjunto de técnicas utilizadas durante un rescate con camilla. Fórmese en estas técnicas antes de cualquier utilización de la camilla.

Atención, no utilice las asas de transporte para izar la camilla.

### A. Camilla vertical

La evacuación se realiza mediante el punto de conexión lado cabeza. Adaptada a los pozos estrechos. Evite el riesgo de caída de piedras sobre el herido. Confort mínimo para el herido.

### B. Camilla casi vertical

Le recomendamos utilizar el STEF. Buen compromiso confort/volumen.

### C. Camilla horizontal

Le recomendamos utilizar el STEF. Confortable para el herido, pero es una posición que ocupa más volumen y para el herido más es expuesta a la caída de piedras. Puede ser impuesta por el médico.

### D. Tirolina

## 10. Evacuación con el STEF

Cada una de las configuraciones de evacuación con el STEF es aplicable a las dos configuraciones siguientes:

- A partir de 2020: NEST y STEF

- Anterior a 2020: NEST anterior a 2020 y STEF para la camilla NEST anterior a 2020.

Respete el esquema de instalación del STEF en la camilla para cada una de las configuraciones anteriores.

### a. Camilla en posición horizontal

Para asegurar esta posición, enganche el Sm'D en el SWIVEL.

### b. Transferencia de posición horizontal a casi vertical

El rescatador, suspendido de una cuerda independiente, se sitúa frente a la camilla. Desengancha el mosquetón Sm'D. A continuación el rescatador coloca sus manos en las dos cintas (lado pies) y hace bascular la camilla, si hace falta, apoyándose con los pies en la camilla. Atención, no colocar las manos lado cabeza: riesgo de no poder frenar la basculación y riesgo de pellizcarse las manos.

### c. Transferencia de la posición casi vertical a horizontal

El rescatador instala su elemento de amarre corto en el anillo del STEF, que servirá de punto fijo y guiará la maniobra. El rescatador procurará que el elemento de amarre esté tensado.

- El regulador y el contrapeso hacen descender la camilla. Así ella bascula de forma natural.

- El rescatador engancha el Sm'D en el SWIVEL para asegurar la posición horizontal. El regulador y el contrapeso hacen ascender la camilla. El rescatador retira su elemento de amarre del anillo.

## 11. Transporte de la camilla

La camilla puede guardarse en el saco de transporte (S062AA00). Para transportar la camilla en un vehículo, puede retirar los listones longitudinales y transversales para plegarla.

## 12. Información complementaria

### Dar de baja

ATENCIÓN: un suceso excepcional puede llevarle a dar de baja un producto después de una sola utilización (tipo e intensidad de utilización, entorno de utilización: ambientes agresivos, ambientes marinos, aristas cortantes, temperaturas extremas, productos químicos...).

Un producto debe darse de baja cuando:

- Tiene más de 10 años y está compuesto por plástico o textil.
- Ha sufrido una caída o un esfuerzo importante.

- El resultado de las revisiones del producto no es satisfactorio. Duda de su fiabilidad.

- No conoce el historial completo de utilización.

- Cuando su utilización es obsoleta (evolución legislativa, normativa, técnica o incompatibilidad con otros equipos, etc.).

Destruya estos productos para evitar una utilización futura.

### Pictogramas:

A. Vida útil: 10 años - B. Marcado - C. Temperaturas toleradas - D.

Precauciones de utilización - E. Limpieza/desinfección - F. Secado - G.

Almacenamiento/transporte - H. Modificaciones/repificaciones (prohibidas fuera de los talleres de Petzl, excepto las piezas de recambio) - I. Preguntas/contacto

### Garantía 3 años

Contra cualquier defecto del material o de fabricación. Se excluye: el desgaste normal, la oxidación, las modificaciones o retoques, el almacenamiento incorrecto, el mantenimiento incorrecto, las negligencias y las utilizaciones para las que este producto no está destinado.

### Señales de advertencia

1. Situación que presenta un riesgo inminente de herida grave o mortal. 2. Exposición a un riesgo potencial de incidente o de herida. 3. Información importante sobre el funcionamiento o las prestaciones de su producto. 4. Incompatibilidad material.

### Trazabilidad y marcado

a. Número individual - b. Año de fabricación - c. Mes de fabricación - d. Número de lote - e. Identificador individual - f. Lea atentamente la ficha técnica - g. Identificación del modelo

Esta notícia técnica explica como utilizar correctamente o seu equipamento. Somente algumas das utilizações e técnicas são apresentadas. Os avisos de alerta informam de alguns perigos potenciais ligados à utilização do equipamento, porém é impossível descrevê-los todos. Tome conhecimento das últimas atualizações e informações complementares em Petzl.com. É responsável por tomar conhecimento de cada alerta e pela utilização correcta do seu equipamento. Qualquer má utilização deste equipamento pode originar perigos adicionais. Contacte a Petzl se tiver dúvidas ou dificuldades de compreensão.

## 1. Campo de aplicação

NEST: maca (200 x 50 x 5 cm) para o resgate em meios de difícil acesso. Concebida para um peso máximo de 150 kg e uma altura entre 1,50 m e 1,90 m. STEF: dispositivo de inclinação da maca NEST. Somente para utilização com a maca NEST. STEF para maca NEST antes de 2020: dispositivo de inclinação da maca NEST antes de 2020. Somente para utilização com a maca NEST antes de 2020. Estes produtos não devem ser solicitados para além dos seus limites ou em qualquer outra situação para a qual não tenham sido previstos.

## Responsabilidade

### ATENÇÃO

**As actividades que implicam a utilização deste produto são por natureza perigosas.**

**Você é responsável pelos seus actos e pelas suas decisões.**

Antes de utilizar este equipamento, deve:

- Ler e compreender todas as instruções de utilização.
- Familiarizar-se especificamente para a utilização deste equipamento.
- Familiarizar-se com o seu equipamento, aprender a conhecer as suas performances e limitações.
- Compreender e aceitar os riscos inerentes.

**O desrespeito de um destes avisos poderá causar ferimentos graves ou mortais.**

ATENÇÃO, formação indispensável antes de utilização. Esta formação deve estar adaptada às práticas definidas no campo de aplicação.

Este produto não deve ser utilizado senão por pessoas competentes e responsáveis, ou colocado sob o controlo visual directo de uma pessoa competente e responsável.

Você é responsável pelos seus actos, pelas suas decisões, pela sua segurança e assume as consequências. Se você não se sentir apto a assumir essa responsabilidade, ou se não entendeu bem as instruções de utilização, não utilize este equipamento.

## 2. Nomenclatura

### NEST

(1) Ponto de conexão do lado da cabeça, (2) Pontos de conexão laterais, (3) Pontos de fixação do STEF, (4) Pegas de transporte, (5) Fitas de torso, (5 bis) Fivelas FAST LT PLUS de torso, (6) Fitas de perneiras, (6 bis) Fitas FAST LT PLUS de perneiras, (7) Fitas de ajuste do apoio dos pés, (8) Fitas de posicionamento, (9) Suportes de pé, (10) Abas, (10 bis) Fitas de fecho das abas, (11) Capuz para a cabeça, (11 bis) Fita de ajuste do capuz para a cabeça, (12) Capuz para os pés, (13) Pontos de fixação de acessórios, (14) Passagem das barras de reforço longitudinais, (14 bis) Passagem das barras de reforço transversais, (15) Colchão de espuma.

### STEF

(16) Fita simples lado da cabeça, (17) SWIVEL, (18) Am'D, (19) Fitas duplas do lado dos pés, (20) Sm'D, (21) Anel, (22) CAPTIV, (23) STRING.

### Materiais principais

Fitas: poliéster.  
Fivelas: aço, liga de alumínio.  
Pontos de fixação de segurança: liga de alumínio.  
Tela: poliuretano termoplástico (TPU).

## 3. Inspeções, pontos a verificar

A sua segurança está ligada à integridade do seu equipamento.

A Petzl aconselha uma verificação aprofundada, por uma pessoa competente, no mínimo a cada 12 meses (em função da legislação em vigor no seu país e das condições de utilização). Respeite os modos de operação descritos no site Petzl.com. Registe os resultados na ficha de inspeção do seu EPI: tipo, modelo, coordenadas do fabricante, número de série ou número individual, datas: de fabrico, aquisição, primeira utilização, próximas inspeções periódicas, defeitos, observações, nome e assinatura do controlador.

### Antes de qualquer utilização

Verifique o estado das fitas do harnês e dos pontos de fixação.

Verifique o bom funcionamento das fivelas FAST LT PLUS.

Verifique a presença e o estado dos STRING e dos CAPTIV assim como a correcta montagem com os conectores/fitas.

Controle os cortes, desgastes e danos devidos à utilização, ao calor, aos produtos químicos... Atenção aos fios cortados ou distendidos.

Consulte o detalhe do controle a efectuar para cada EPI em Petzl.com.

Em caso de dúvida contacte a Petzl.

### Durante a utilização

É importante controlar regularmente o estado do produto e as suas conexões com outros equipamentos do sistema. Assure-se do posicionamento correcto dos equipamentos de uns em relação aos outros.

## 4. Compatibilidade

Verifique a compatibilidade deste produto com os outros elementos do sistema na sua aplicação (compatibilidade = boa interacção funcional).

O STEF (S059AA00) é compatível com o modelo de NEST a partir de 2020

(S061AA00), mas não é compatível com o antigo modelo de NEST antes de 2020 (S61).

## 5. Instalação do STEF na maca

A fita simples do STEF está ligada ao ponto de fixação do lado da cabeça da NEST e as fitas duplas estão ligadas aos pontos de fixação do STEF na NEST. O mosquetão Sm'D deve ser colocado virado para cima, para o SWIVEL. As fitas não devem estar torcidas.

A tracção da maca faz-se unicamente no SWIVEL ou no ponto de fixação da maca do lado da cabeça.

Atenção, em função dos produtos utilizados (configuração antes de 2020 ou depois de 2020), queira utilizar os bons pontos de fixação consultando os desenhos.

## 6. Instalação do ferido

1. Coloque a maca num local estável.  
Abra as abas e dobre-as dos lados. Retire as fitas das fivelas do harnês completo. Desaperte as fitas dos apoios dos pés.

Coloque o ferido na maca. A parte alta do colchão de espuma corresponde à colocação das omoplatas do ferido, qualquer que seja o seu tamanho. O ferido deve estar com o capacete e usar óculos de protecção.

2. Trave as fivelas FAST LT PLUS de fita de torso e de perneiras respeitando o código de cores. Atenção, respeite o bom esquema de passagem de fita na vítima, tal como indicado nos desenhos.

3. Ajuste as fitas de posicionamento.  
Ajuste o comprimento dos apoios de pé e clipe as fivelas dos apoios de pé. Faça com que o conjunto das fitas esteja suficientemente apertado para o posicionamento da vítima, limitando totalmente os pontos de apoio dolorosos.

4. Cubra com os capuzes de cabeça e de pés e clipe as fivelas do capuz dos pés. Feche as abas, ou dobre-as dos lados, consoante a temperatura, a presença de água... Aperte as fitas das abas. Os braços do ferido podem estar no interior ou exterior.

Os diversos elementos de segurança serão colocados, ou não, consoante a natureza das lesões encontradas pelo médico, e as dificuldades a superar durante o transporte.

## 7. Pontos de conexão

Carga de ruptura dos pontos de conexão: 15 kN.

Somente estes pontos permitem conectar a maca a uma ancoragem.

Aquando da utilização dos pontos de conexão laterais, queira sempre utilizar os dois pontos juntos.

## 8. Pontos de manipulação da maca

Os pontos de manipulação da maca são constituídos por oito pegas de transporte, assim como oito pontos de fixação de acessórios.

Carga de ruptura das pegas: 4 kN.

Carga de ruptura dos pontos de conexão de acessórios: 1 kN.

Atenção, estes pontos não permitem ligar a maca a uma ancoragem, nem permite ao socorrista prender-se com uma longe.

## 9. Configurações de evacuação

Cada uma das configurações de evacuação é aplicável às seguintes duas configurações:

- A partir de 2020: NEST só ou associada ao STEF.

- Antes de 2020: NEST antes de 2020 só ou associada ao STEF para maca NEST antes de 2020.

Queira respeitar o esquema de instalação do STEF na maca para cada uma das configurações acima indicadas.

Por motivos de clareza, os desenhos não apresentam o conjunto de técnicas utilizadas durante um resgate com uma maca. Tenha formação nestas técnicas antes de qualquer utilização da maca.

Atenção, não ize a maca pelas pegas de transporte.

### A. Maca Vertical

A evacuação efectua-se no ponto de fixação do lado da cabeça. Adaptada aos poços estreitos. Limita o risco de queda de pedras sobre o ferido. Conforto mínimo para o ferido.

### B. Maca quase vertical.

Aconselhamo-lo a utilizar a STEF. Bom compromisso conforto/ volume.

### C. Maca horizontal

Aconselhamo-lo a utilizar a STEF. Confortável para o ferido, mas posição volumosa e ferido mais exposto a queda de pedras. Poderá ser imposto pelo médico.

### D. Tirolesa

## 10. Evacuação com o STEF

Cada uma das técnicas de evacuação com o STEF é aplicável às seguintes duas configurações:

- A partir de 2020: NEST e STEF.

- Antes de 2020: NEST antes de 2020 e STEF para maca NEST antes de 2020.

Queira respeitar o esquema de instalação do STEF na maca para cada uma das configurações acima indicadas.

### a. Maca em posição horizontal

Para proteger esta posição, clipe o Sm'D no SWIVEL.

### b. Transferência da posição horizontal à quase vertical

O socorrista, colocado numa corda independente, põe-se de frente para a maca. Ele solta o mosquetão Sm'D. O socorrista posiciona de seguida as mãos nas duas fitas (do lado dos pés) e bascula a maca, eventualmente apoiando com os pés a maca. Atenção, não coloque as mãos do lado da cabeça: risco de não conseguir travar a inclinação e risco de entalar as mãos.

### c. Transferência da posição quase vertical à horizontal

O socorrista instala a sua longe curta no anel do STEF que vai servir de ponto fixo e vai guiar a manobra. O socorrista faz com que a longe fique em tensão.

- O regulador e o contrapeso fazem descer a maca. Esta basculará naturalmente.

- O socorrista clipe o Sm'D no SWIVEL para assegurar a posição horizontal. O regulador e o contrapeso fazem subir a maca. O socorrista retira a longe do anel.

## 11. Transporte da maca

A maca pode ser guardada no saco de transporte (S062AA00). Para transportar a maca num veículo, poderá retirar as barras de reforço longitudinais e transversais para a dobrar.

## 12. Informações complementares

### Descartar um equipamento

ATENÇÃO, uma ocorrência excepcional pode levar ao descarte de um produto após uma só utilização (tipo e intensidade de utilização, ambiente de utilização: ambientes agressivos, ambientes marinhos, arestas cortantes, temperaturas extremas, produtos químicos...).

Um produto deve ser descartado quando:

- Tiver mais de 10 anos e for composto por plástico ou téxtil.
- Foi sujeito a uma queda ou a um esforço importante.
- O resultado das verificações do produto não é satisfatório. Tem uma dúvida sobre a sua fiabilidade.
- Não conhecer o seu histórico de utilização completo.
- Quando a sua utilização for obsoleta (evolução legislativa, normativa, técnica ou incompatibilidade com outros equipamentos...).

Destrua esses produtos para evitar uma futura utilização.

### Pictogramas:

**A. Duração de vida: 10 anos - B. Marcação - C. Temperaturas toleradas - D. Precauções de utilização - E. Limpeza/desinfecção - F. Secagem - G. Armazenamento/transporte - H. Modificações/reparações** (interditas fora das oficinas Petzl salvo peças sobresselentes) - **I. Questões/contacto**

### Garantia 3 anos

Contra qualquer defeito de material ou fabrico. Estão excluídos: desgaste normal, oxidação, modificações ou retoques, mau armazenamento, má manutenção, negligências, utilizações para as quais este produto não está destinado.

### Avisos de alerta

1. Situação que apresenta risco iminente de ferimento grave ou mortal. 2. Exposição a um risco potencial de incidente ou ferimento. 3. Informação importante sobre o funcionamento ou as performances do seu produto. 4. Incompatibilidade de materiais.

### Rastreio e marcações

a. Número individual - b. Ano de fabrico - c. Mês de fabrico - d. Número de lote - e. Identificador individual - f. Ler atentamente a informação técnica - g. Identificação do modelo



In deze bijsluiter wordt uitgelegd hoe u uw materiaal juist moet gebruiken. Er komen hierin slechts enkele technieken en toepassingen aan bod. De waarschuwingen geven u bepaalde mogelijke gevaren aan rond het gebruik van uw materiaal, maar we kunnen hier uiteraard niet alles behandelen. Lees daarom de nieuwste updates en aanvullende info op Petzl.com. U bent zelf verantwoordelijk om met elke waarschuwing rekening te houden en uw materiaal juist te gebruiken. Elk verkeerd gebruik van dit materiaal zal aan de oorsprong liggen van bijkomende gevaren. Neem bij twijfel of onduidelijkheden contact op met Petzl.

## 1. Toepassingsveld

NEST: draagberrie (200x50x5 cm) voor reddingsoperaties op moeilijk toegankelijke plaatsen. Speciaal ontworpen voor een maximaal gewicht van 150 kg en een lengte tussen 1,50 m en 1,90 m. STEF: inclinatiezet voor NEST draagberrie. Enkel voor gebruik met de NEST draagberrie. STEF voor NEST draagberrie van vóór 2020: inclinatiezet van de NEST draagberrie van vóór 2020. Enkel voor gebruik met de NEST draagberrie van vóór 2020. Deze producten mogen niet méér belast worden dan toegelaten en mogen niet gebruikt worden in elke andere situatie waarvoor ze niet voorzien zijn.

## Verantwoordelijkheid

### LET OP

**De activiteiten die het gebruik van deze uitrusting vereisen, zijn van nature gevaarlijk.**

**U staat zelf in voor uw daden en beslissingen.**

Voordat u deze uitrusting gebruikt, moet u:

- Alle gebruiksinstructies lezen en begrijpen.
- Een aangepaste training volgen voor het gebruik van deze uitrusting.
- Zich vertrouwd maken met uw uitrusting, en de prestaties en beperkingen ervan leren kennen.
- De inherente risico's begrijpen en aanvaarden.

**Het niet-respecteren van een van deze waarschuwingen kan leiden tot ernstige of dodelijke verwondingen.**

LET OP: opleiding noodzakelijk vóór gebruik. Deze training moet aangepast zijn aan het gebruik zoals bepaald in het toepassingsveld.

Dit product mag enkel gebruikt worden door (personen die onder direct visueel toezicht staan van) bevoegde en beraden personen.

U staat zelf in voor uw daden, beslissingen en veiligheid, en neemt dan ook persoonlijk de gevolgen op zich. Indien u niet in staat bent om deze verantwoordelijkheid op u te nemen of de gebruiksinstructies niet goed begrepen hebt, gebruik dit apparaat dan niet.

## 2. Terminologie van de onderdelen

### NEST

(1) Inbindpunt kant hoofd, (2) Laterale inbindpunten, (3) Inbindpunten van de STEF, (4) Handgrepen, (5) Riemen van de borstgordel, (5 bis) FAST LT PLUS gespen van de borstgordel, (6) Beenlus, (6 bis) FAST LT PLUS gespen van de beenlussen, (7) Verstelriemen voor voetensteun, (8) Steunbanden, (9) Voetensteunen, (10) Kleppen, (10 bis) Sluitriemen voor kleppen, (11) Hoofdkapje, (11 bis) Verstelriem van het hoofdkapje, (12) Voetenkapje, (13) Bevestigingspunten voor accessoires, (14) Doorgang voor lengtelatten, (14 bis) Doorgang voor transversale latten, (15) Matras in schuimrubber.

### STEF

(16) Enkele riem kant hoofd, (17) SWIVEL, (18) Am'D, (19) Dubbele riemen kant voeten, (20) Sm'D, (21) Ring, (22) CAPTIV, (23) STRING.

### Voornaamste materialen

Bandlussen: polyester.  
Gespen: staal, aluminiumlegering.  
Veiligheidsinbindpunt: aluminiumlegering.  
Zel: thermoplastisch polyurethaan (TPU).

## 3. Check: te controleren punten

Uw veiligheid is afhankelijk van uw volledige uitrusting.

Petzl beveelt op zijn minst een grondige 12-maandelijkse controle door een bevoegd persoon aan (conform de geldende normen in uw land en de omstandigheden waarin u het product gebruikt). Leef de gebruiksregels na zoals vermeld op Petzl.com. Vermeld de resultaten op de fiche van uw PBM: type, model, gegevens van de fabrikant, serienummer of individueel nummer, data van fabricage, aankoop, eerste ingebruikneming, volgende periodieke nazichten; gebreken, opmerkingen, naam en handtekening van de controleur.

### Vóór elk gebruik

Controleer de staat van de riemen van de gordel en de inbindpunten.

Check de goede werking van de FAST LT PLUS gespen.

Controleer de aanwezigheid en de staat van de STRING's en CAPTIV's, alsook de correcte installatie ervan met de karabners/bandlussen.

Controleer op scheuren, slijtageverschijnselen en schade ten gevolge van het gebruik, hitte, chemische producten enz. Let op voor doorgesneden of uitgerokken vezels.

Meer details over de uit te voeren controle voor elk PBM vindt u op Petzl.com.

Neem bij twijfel contact op met uw lokale Petzl verdeler.

### Tijdens het gebruik

Het is belangrijk om regelmatig de staat van het product te controleren, alsook zijn verbindingen met de andere onderdelen van het systeem. Zorg ervoor dat alle elementen goed geplaatst zijn ten opzichte van elkaar.

## 4. Verenigbaarheid

Gelieve na te zien of dit product compatibel is met de andere elementen van het systeem in uw toepassing (compatibiliteit – een goede functionele interactie).

De STEF (S059A000) is compatibel met het model van de NEST vanaf 2020 (S061A000), maar is niet compatibel met het oudere model van de NEST van vóór 2020 (S61).

## 5. De STEF op de draagberrie installeren

De enkele riem van de STEF wordt verbonden met het inbindpunt aan de kant van het hoofd van de NEST. De dubbele riemen worden verbonden met de inbindpunten van de STEF op de NEST. De Sm'D karabiner moet aan de bovenkant geplaatst zijn. De riemen mogen niet gedraaid zijn.

De tractie van de draagberrie gebeurt enkel op de SWIVEL, of op het inbindpunt aan de kant van het hoofd van de draagberrie.

Let op: gebruik de juiste inbindpunten afhankelijk van de gebruikte producten (configuratie van vóór of na 2020). Baseer u hiervoor op de tekeningen.

## 6. Installatie van de gewonde

1. Plaats de draagberrie op een stabiele ondergrond. Open de kleppen en draai naar de zijkant open. Haal de riemen uit de gespen van de compleetgordel. Maak de gespen van de voetensteunen los. Leg de gewonde op de draagberrie. Positioneer de schouders van de gewonde – ongeacht zijn lengte – ter hoogte van de bovenkant van de matras in schuimrubber. De gewonde moet een helm en een veiligheidsbril dragen.
2. Vergrendel de FAST LT PLUS gespen van de borstgordel en de beenlussen rekening houdend met de kleurencode. Let op: volg het schema voor de doorsteek van de riem op het slachtoffer, zoals weergegeven op de tekeningen.
3. Sluit de steunbanden. Pas de lengte van de steunbanden van de voetensteunen aan en klik de gespen van de voetensteunen vast. Zorg ervoor dat alle riemen voldoende aangespannen zijn en goed om het slachtoffer vast zitten, zonder al te veel op de pijnpunten te drukken.
4. Doe de kapjes aan het hoofd en de voeten dicht, en klik de gespen van het kapje aan de voeten dicht. Sluit de kleppen of draai ze naar de zijkant open, naargelang de temperatuur, de aanwezigheid van water ... Span de riemen van de kleppen aan. De armen van de gewonde kunnen daar al dan niet in zitten. De diverse veiligheidsselementen worden al dan niet geïnstalleerd in functie van de door de arts vastgestelde verwondingen en de voorziene moeilijkheden tijdens het transport.

## 7. Inbindpunten

Breuklast van de inbindpunten: 15 kN.

U mag de draagberrie enkel op deze punten met een verankerung verbinden. Tijdens het gebruik van de laterale inbindpunten moet u er steeds op letten dat u beide punten samen gebruikt.

## 8. Punten voor het hanteren van de draagberrie

De punten voor het hanteren van de draagberrie bestaan uit acht handgrepen en acht bevestigingspunten voor accessoires.

Breuklast van de handgrepen: 4 kN.

Breuklast van de bevestigingspunten voor accessoires: 1 kN.

Let op: u mag de draagberrie niet op deze punten met een verankerung verbinden en een hulpverlener mag zich hier niet op inbinden.

## 9. Configuraties voor evacuatie

Elke configuratie voor evacuatie is van toepassing voor deze twee configuraties:

- Vanaf 2020: enkel de NEST of de NEST in combinatie met de STEF.
- Vóór 2020: enkel de NEST van vóór 2020 of de NEST van vóór 2020 in combinatie met de STEF voor de NEST draagberrie van vóór 2020.

Houd voor elk van deze configuraties rekening met het installatieschema van de STEF op de draagberrie.

Niet alle technieken die gebruikt worden bij een reddingsactie met een draagberrie worden hier weergegeven opdat de tekeningen overzichtelijk zouden blijven. Volg een opleiding over deze technieken voordat u de draagberrie gebruikt.

Let op: rijs de draagberrie niet via de handgrepen.

### A. Verticale draagberrie

De evacuatie gebeurt op het inbindpunt aan de kant van het hoofd. Aangepast aan een smalle schacht. Beperkt de blootstelling van de gewonde aan vallende stenen. Minimaal comfort voor de gewonde.

### B. Bijna-verticale draagberrie

Wij raden het gebruik van de STEF aan. Goed compromis tussen comfort/plaatsinname.

### C. Horizontale draagberrie

Wij raden het gebruik van de STEF aan. Deze positie is comfortabel voor de gewonde, maar neemt veel ruimte in. De gewonde wordt meer blootgesteld aan vallende stenen. Kan opgelegd worden door de arts.

### D. Horizontaal gespannen touw

## 10. Evacuatie met de STEF

Elke evacuatietechniek met de STEF is van toepassing voor deze twee configuraties:

- Vanaf 2020: de NEST en de NEST.
- Vóór 2020: de NEST van vóór 2020 en de STEF voor de NEST draagberrie van vóór 2020.

Houd voor elk van deze configuraties rekening met het installatieschema van de STEF op de draagberrie.

### a. Draagberrie in horizontale positie

Om deze positie te beveiligen, klik de Sm'D vast in de SWIVEL.

### b. Overgang van horizontale naar bijna verticale positie

De hulpverlener, geplaatst op een onafhankelijk touw, positioneert zich met het gezicht naar de draagberrie toe. Hij maakt de Sm'D karabiner los. De hulpverlener plaatst daarna zijn handen op de twee riemen (kant voeten) en laat de draagberrie kantelen, eventueel door met zijn voeten op de draagberrie te duwen. Let op: plaats uw handen niet aan de kant van het hoofd, want uw handen kunnen geklemd raken als u het kantelen niet tijdig kan afremmen.

### c. Overgang van bijna verticale naar horizontale positie

De hulpverlener installeert zijn korte leeflijn op de ring van de STEF, die als vast punt zal dienen en het manoeuvreer zal leiden. De hulpverlener moet ervoor zorgen dat de leeflijn onder spanning staat.

- De regelaar en het tegengewicht zorgen ervoor dat de draagberrie naar beneden kantelt. Dit is een heel natuurlijke beweging.

- De hulpverlener klikt de Sm'D in de SWIVEL vast om de horizontale positie te beveiligen. De regelaar en het tegengewicht zorgen ervoor dat de draagberrie naar beneden kantelt. De hulpverlener haalt zijn leeflijn uit de ring.

## 11. Transport van de draagberrie

De draagberrie kan in de transporthoes (S062A000) opgeborgen worden. Om de draagberrie in een voertuig te transporteren, kunt u de lengtelatten en transversale latten eruit halen zodat u hem kunt dichtvouwen.

## 12. Extra informatie

### Afschrijven

LET OP: een uitzonderlijk voorval kan u ertoe brengen het product af te schrijven na één enkel gebruik (type en intensiteit van gebruik, gebruiksomgeving: agressieve milieus, zeewater, scherpe randen, extreme temperaturen, chemische producten ...).

Een product moet worden afgeschreven wanneer:

- Het ouder dan 10 jaar is en samengesteld uit plastic of textiel.
- Het een belangrijke val of belasting heeft ondergaan.
- Het resultaat van de controles van het product geen voldoening geeft. U twijfelt aan de betrouwbaarheid ervan.
- U zijn volledige gebruikshistoriek niet kent.
- Het product in onbruik is geraakt (wijziging van de wetgeving, normen of technieken, onverenigbaarheid met de andere delen van de uitrusting ...).

Vernietig deze afgeschreven producten om een verder gebruik te vermijden.

### Pictogrammen:

**A. Levensduur: 10 jaar - B. Markering - C. Toegelaten temperatuur - D. Gebruiksvoorschriften - E. Reiniging/desinfectie - F. Droging - G. Berging/transport - H. Veranderingen/herstellingen** (verboden buiten de Petzl ateliers, behalve voor vervangstukken) - **I. Vragen/contact**

### 3 jaar garantie

Voor fabricage- of materiaalfouten. Met uitzondering van: normale slijtage, oxidatie, veranderingen of aanpassingen, slechte berging, slecht onderhoud, nalatigheid of toepassingen waarvoor dit product niet bestemd is.

### Waarschuwingborden

1. Situatie die een dreigend risico op een ernstige of dodelijke verwonding inhoudt.
2. Blootstelling aan een mogelijk risico op een incident of verwonding.
3. Belangrijke informatie over de werking of de prestaties van uw product.
4. Niet compatibel met ander materiaal.

### Markering en tracering

a. Individueel nummer - b. Fabricagejaar - c. Fabricageaandaan - d. Lotnummer - e. Individuele identificatie - f. Lees aandachtig de technische bijsluiter - g. Identificatie van het model

Brugsanvisningen indeholder forklaringer på, hvordan udstyret anvendes korrekt. Kun enkelte anvendelser og teknikker er beskrevet.

Advarselsskiltene informerer dig om nogle potentielle risici, som er forbundet med anvendelsen af udstyret, men det er umuligt at beskrive dem alle. Du kan finde opdateringer og flere oplysninger på Petzl.com.

Du er selv ansvarlig for at tage højde for alle advarslerne og anvende udstyret korrekt. En forkert anvendelse af udstyret kan forårsage yderligere risici. Kontakt Petzl, hvis du er i tvivl eller har svært ved at forstå brugsanvisningen.

## 1. Anvendelsesområde

NEST: Redningsbåre (200 x 50 x 5 cm) til redning i vanskeligt tilgængelige områder. Er konstrueret til maks. 150 kg og en kropshøjde på 1,50-1,90 m. STEF; justerbar anordning til brug på redningsbåren NEST. Må udelukkende anvendes sammen med redningsbåren NEST. STEF til redningsbåren NEST fra for 2020; justerbar anordning til brug på redningsbåren NEST fra for 2020. Må udelukkende anvendes sammen med redningsbåren NEST fra for 2020. Disse produkter må ikke overbelastes eller bruges til andre formål end det, produkterne er bestemt til.

### Ansvar

#### ADVARSEL

**De aktiviteter, som indebærer anvendelse af dette udstyr, er forbundet med risici og er dermed farlige. Du er ansvarlig for dine egne handlinger og beslutninger.**

For anvendelse af dette udstyr, skal du:

- Læse og forstå alle instruktionerne i brugsanvisningen.
- Få specifik træning i korrekt anvendelse af udstyret.
- Blive bekendt med udstyret, dets ydeevne og begrænsninger.
- Forstå og acceptere risikoen forbundet med udstyret.

**Manglende overholdelse af én eller flere af disse advarsler kan resultere i alvorlige kvæstelser eller dødsfald.**

ADVARSEL: Det er nødvendigt med praktisk træning i anvendelse af udstyret før brug. Denne træning skal være rettet specifikt til udstyret.

Udstyret bør kun benyttes af kompetente og erfarne personer, eller under direkte opsyn af en kompetent og erfarne person.

Du er ansvarlig for dine handlinger, beslutninger og sikkerhed, og du må påtage dig ansvaret for konsekvenserne heraf. Du må ikke bruge udstyret, hvis du ikke er i stand til at påtage dig dette ansvar, eller hvis du ikke forstår hele brugsanvisningen.

## 2. Fortegnelse over delene

### NEST

(1) Tilkoblingspunkt ved hovedende, (2) Sidetilkoblingspunkter, (3) Fastgørelsespunkter på STEF, (4) Bærehåndtag, (5) Bryststropper, (5 bis) FAST LT PLUS brystspænder, (6) Lårstropper, (6 bis) FAST LT PLUS lårspænder, (7) Justeringsstropper til fodstøtter, (8) Positioneringsstropper, (9) Fodstøtter, (10) Klapper, (10 bis) Stropper til lukning af klapperne, (11) Beskyttelsesbetræk til hoved, (11 bis) Justeringsstrop til hovedets beskyttelsesbetræk, (12) Beskyttelsesbetræk til fodder, (13) Fastgørelsespunkter til tilbehør (14) Lomme til langsgående afstivere, (14 bis) Lomme til tværgående afstivere, (15) Skummadras.

### STEF

(16) Enkelt strop ved hovedende, (17) SWIVEL, (18) Am'D, (19) Dobbelte stropper ved fodende, (20) Sm'D, (21) Ring, (22) CAPTIV, (23) STRING.

### Hovedmaterialer

Remme og stropper: polyester.  
Spænder: stål, aluminiumslegering.  
Sikkerhedsfastgørelsespunkt: aluminiumslegering.  
Presenning: termoplastisk polyurethan (TPU).

## 3. Kontrolpunkter

Din sikkerhed afhænger af, at udstyret er fuldstændig funktionsdygtigt.

Petzl anbefaler, at udstyret efterses indgående af en kompetent person mindst én gang hver 12. måned (i overensstemmelse med reglerne gældende i dit land og din anvendelse af produktet). Fremgangsmåder beskrevet på Petzl.com bør overholdes. Registrer resultaterne i logbogen for dit personlige værnemiddel (PV): Udstyrstype, model, oplysninger om producenten, serienummer eller individuelt nummer, dato for: fremstilling, køb, første anvendelse, næste regelmæssige kontrolundersøgelser, fejl, bemærkninger, inspektørens navn og underskrift.

### For enhver anvendelse

Kontroller tilstanden for selens stropper og fastgørelsespunkterne.

Kontroller, at FAST LT PLUS spænderne fungerer korrekt.

Kontroller, at STRING og CAPTIV er på plads og i god stand, og at de er monteret korrekt sammen med forbindelsesledene/slyngerne.

Hold øje med revner, siltage og skader, som skyldes brug af udstyret, varme og kemikalier, m.m. Vær særlig opmærksom på ødelagte eller løse tråde.

Detaljeret information om kontrolrutiner for hvert PV er tilgængelig på Petzl.com.

Kontakt Petzl, hvis du er i tvivl.

### Under anvendelsen

Det er vigtigt, at produktets tilstand og forbindelser til andet udstyr fra sikringsystemet kontrolleres regelmæssigt. Kontroller, at delene i udstyret sidder rigtigt i forhold til hinanden.

## 4. Kompatibilitet

Kontroller, at produktet er foreneligt med det øvrige udstyr fra sikringsystemet for den valgte aktivitet (forenelighed = de benyttede værnemidler fungerer godt indbyrdes).

STEF (S059AA00) er forenelig med NEST-modellen fra 2020 (S061AA00) men er ikke forenelig med den ældre NEST-model fra for 2020 (S61).

## 5. Montering af STEF på redningsbåren

Den enkelte strop på STEF fæstnes til tilkoblingspunktet ved hovedenden på NEST, og de dobbelte stropper på STEF fæstnes til fastgørelsespunkter på NEST. Sm'D karabinen skal placeres opad. Stropperne må ikke være snoede.

Hejsning af båren skal kun ske med SWIVEL eller med fastgørelsespunktet ved hovedende.

ADVARSEL: Afhængigt af de anvendte produkter (konfiguration for 2020 eller efter 2020) skal de korrekte fastgørelsespunkter bruges med henvisninger til tegningerne.

## 6. Placering af den tilskadekomne på redningsbåren

1. Placer redningsbåren på et stabilt underlag.

Bred klapperne ud på siderne. Fjern stropperne fra helkropsselens spænder. Løsn fodstøtternes justeringsstropper.

Placer den tilskadekomne på redningsbåren. Den øverste del af skummadrasen svarer til det sted, hvor den tilskadekomnes skulder skal ligge, uanset personens højde. Den tilskadekomne skal bære en hjelm og beskyttelsesbriller.

2. Luk FAST LT PLUS bryst- og lårspænder i overensstemmelse med farvekoden.

ADVARSEL: Følg anvisning om stropføring på den tilskadekomne som vist på tegningerne.

3. Stram positioneringsstropperne.

Juster stropplængden på fodstøtterne og luk fodstøtternes spænder.

Sørg for, at alle stropper er tilstrækkeligt stramme for at fastholde den tilskadekomne i position og undgå så vidt muligt smertefulde trykpunkter.

4. Indsvøb hoved og fodder med betrækkerne og luk spænderne på fodbetrækket. Luk klapperne eller fold dem ned langs siderne, alt efter temperaturen, vejrforholdet, osv. Stram klapperens stropper til. Den tilskadekomnes arme og ben kan være indentor eller udenfor.

De forskellige sikkerhedskomponenter skal vælges eller fra vælges, alt efter de skader, som lægen har konstateret, og hvor krævende evakueringen er.

## 7. Tilkoblingspunkter

Tilkoblingspunktets brudbelastning: 15 kN.

Kun disse punkter skal bruges til at fastgøre redningsbåren til en forankring. Ved anvendelse af sidetilkoblingspunkterne, skal begge altid anvendes samtidig.

## 8. Redningsbårens håndteringspunkter

Bårens håndteringspunkter består af otte bærehåndtag samt otte

fastgørelsespunkter til tilbehør.

Bærehåndtags brudbelastning: 4 kN.

Fastgørelsespunktets brudbelastning: 1 kN.

ADVARSEL: Disse punkter må ikke bruges til at fastgøre redningsbåren til en forankring eller til at fastgøre en redder.

## 9. Evakuerings-konfigurationer

Alle evakueringskonfigurationer kan følge en af de to efterfølgende konfigurationer:

- Fra 2020: NEST uden eller sammen med STEF.
- For 2020: NEST fra for 2020 uden eller sammen med STEF til redningsbåre NEST fra for 2020.

Følg STEF-tegninger om montering på redningsbåren for hver af ovennævnte konfigurationer.

For at tegningerne skal være mere overskuelige, viser de ikke alle anvendte redningsteknikker med redningsbåre. Sørg for at blive oplært i disse teknikker for anvendelse af redningsbåren.

ADVARSEL: Redningsbåren må aldrig hejSES op ved hjælp af bærehåndtagene.

### A. Vertikal position

Evakuering foregår ved at bruge tilkoblingspunktet ved hovedende. Denne position er egnet til smalle skakte. Der er en begrænset risiko for, at den tilskadekomne rammes af sten. Minimum komfort for den tilskadekomne.

### B. Skrånende position

Det anbefales at anvende STEF. God kompromisløsning mellem komfort og trængsel.

### C. Horisontal position

Det anbefales at anvende STEF. Denne position giver god komfort for den tilskadekomne, men båren tager mere plads og er mere udsat for stenfald. Denne position kan være påkrævet af lægen.

### D. Svævebære

## 10. Evakuering med STEF

Alle evakueringsteknikker med STEF kan følge en af de to efterfølgende konfigurationer:

- Fra 2020: NEST og STEF.
  - For 2020: NEST fra for 2020 og STEF til redningsbåre NEST fra for 2020.
- Følg STEF-tegninger om montering på redningsbåren for hver af ovennævnte konfigurationer.

### a. Redningsbåre i horisontal position

For at sikre positionen skal Sm'D fæstnes til SWIVEL.

### b. Fra horisontal position til skrånende position

Redderen, som er på et selvstændigt reb, placerer sig foran redningsbåren. Redderen fjerner Sm'D karabinen, placerer hænderne på begge stropper (på fodsiden) og vipper redningsbåren, evt. ved at trykke med fodderne på båren. ADVARSEL: Hænderne må ikke placeres på hovedsiden, da der er en risiko for, at redderen ikke kan bremse bevægelsen og derfor får klemt hænderne.

### c. Fra skrånende position til horisontal position

Redderen monterer en kort sikkerhedsline på STEF-ringen, som således kan anvendes som fast punkt og lette forløbet. Redderen sørger for, at sikkerhedslinen er stram.

- Justeringsfunktionen i sikkerhedslinen samt modvægten får redningsbåren til at glide ned. Redningsbåren vipper af egen kraft.

- Redderen fæstner Sm'D til SWIVEL for at sikre den horisontale position.

Justeringsfunktionen i sikkerhedslinen samt modvægten får redningsbåren til at glide op. Redderen fjerner den korte sikkerhedsline fra ringen.

## 11. Transport af redningsbåren

Redningsbåren kan opbevares i transporttasken (S062AA00). Hvis redningsbåren skal transporteres i bil, kan den foldes sammen ved at fjerne de langsgående og tværgående afstivere.

## 12. Supplerende oplysninger

### Kassering af udstyr

ADVARSEL: I særlige tilfælde kan du være nødsaget til at kassere produktet efter kun én enkelt anvendelse, afhængig af produktets type og anvendelsen af produktet, samt det miljø, hvori produktet anvendes (sædvanlig miljø, havmiljø), eller som følge af skarpe kanter, ekstreme temperaturer, kemiske produkter, m.m.

Kassér øjeblikkeligt udstyr, hvis:

- Det mindst er 10 år gammelt og er lavet af plastik eller tekstil.
  - Det har været udsat for et stort fald eller belastning.
  - Resultaterne af inspektionen ikke er tilfredsstillende. Du er i tvivl om produktets pålidelighed.
  - Du ikke kender udstyrets tidligere anvendelser til fulde.
  - Når udstyret vurderes som ikke længere anvendeligt (som følge af ændringer i lovgivningen, standarder, teknikker eller inkompatibilitet med andet udstyr, osv.).
- Skaf dig af med kasseret udstyr for at undgå yderligere anvendelse.

### Piktogrammer:

**A. Levetid: 10 år - B. Mærkning - C. Tilladelige temperaturer - D. Sædvanlige forholdsregler - E. Rensning/desinfektion - F. Tørring - G. Opbevaring/transport - H. Ændringer/reparationer** (skal udføres af Petzl undtagen udskiftning af reservedele) - **I. Spørgsmål/kontakt**

### 3-års garanti

Imod alle defekter i materialer og fremstilling. Garantien dækker ikke: normal slitage, oxidering, ændringer, udbedringer, forkert opbevaring, dårlig vedligeholdelse og anvendelser, som produktet ikke er bestemt til.

### Advarselsskilte

1. Situation med overhængende risiko, som kan føre til dødsfald eller alvorlige kvæstelser. 2. Potentiel faresituation, som kan føre til mindre alvorlige kvæstelser. 3. Vigtig information om produktets funktion og ydeevne. 4. Inkompatibelt.

### Sporbarhed og mærkning

a. Individuelt nummer - b. Fremstillingsår - c. Fremstillingsmåned - d. Batchnummer - e. Individuel reference - f. Læs brugsanvisning grundigt - g. Modelreference

Dessa instruktioner förklarar hur du använder din utrustning korrekt. Endast vissa tekniker och användningsområden är beskrivna.

Varningsymbolerna ger information om några potentiella risker relaterade till användning av utrustningen, det är omöjligt att beskriva alla. Gå in på Petzl.com för uppdateringar och ytterligare information.

Du är själv ansvarig för att besöka varje varning och använda utrustningen korrekt. Felanvändning av denna utrustning skapar ytterligare faror. Kontakta Petzl om du är osäker på eller har svårt att förstå dessa instruktioner.

## 1. Användningsområden

NEST: bår (200 x 50 x 5 cm) för räddning i svåråtkomliga situationer. Framtagen för max 150 kg vikt och 1,50m - 1,90m längd.

STEF: orienterings redskapet för NEST bår. Endast för användning med NEST bår. STEF för pre-2020 NEST bår: orienteringsredskap för pre- 2020 NEST bår. Endast för användning med pre-2020 NEST bår.

Dessa produkter får inte belastas över sin hållfasthetsgräns eller användas till ändamål de inte är avsedda för.

### Ansvar

#### VARNING

**Aktiviteter där denna typ av utrustning används är alltid riskfyllda. Du ansvarar själv för dina egna handlingar och beslut.**

Innan du använder denna utrustning måste du:

- Läs och förstå samtliga användarinstruktioner.
- Få särskild övning i hur utrustningen ska användas.
- Lära känna utrustningens egenskaper och begränsningar.
- Förstå och godta befintliga risker.

**Om dessa varningar ignoreras kan det medföra allvarliga skador eller dödsfall.**

VARNING: särskild utbildning krävs före användning. Denna utbildning måste anpassas till de övningar definierade under Användningsområden.

Denna produkt får endast användas av kompetenta och ansvarfulla personer eller av personer som övervakas av en kompetent och ansvarfull person.

Du ansvarar själv för dina egna handlingar, beslut och din säkerhet och är medveten om konsekvenserna av dessa. Använd inte produkten om du inte kan eller har möjlighet att ta detta ansvar eller denna risk, eller inte förstår någon av dessa instruktioner.

## 2. Utrustningens delar

### NEST

(1) Infästningspunkt i huvudände, (2) Infästningspunkter i sidorna, (3) STEF inkopplingspunkter, (4) Bårhandtag, (5) Remmar för torso, (5 bis) FAST LT PLUS-spännan för torso, (6) Benremmar, (6 bis) FAST LT PLUS spännan för benremmar, (7) Justeringsremmar för fotstödd, (8) Positioneringsremmar, (9) Fotstödd, (10) Filkar, (10 bis) Låsrem för filk, (11) Huvudskydd, (11 bis) Justeringsrem för huvudskydd, (12) Fotskydd, (13) Infästningspunkter för tillbehör, (14) Ficka för långsgående stag, (14 bis) Ficka för tvärgående stag, (15) Skumgummidöyna.

### STEF

(16) Enkelrem för huvudända, (17) SWIVEL, (18) Am'D, (19) Dubbelrem för fotända, (20) Sm'D, (21) Ring, (22) CAPTIV, (23) STRING.

#### Huvudsakliga material

Remmar: polyester.  
Spännan: stål, aluminiumlegering.  
Säkerhets infästningspunkt: aluminiumlegering.  
Presenning materialet: termoplastisk polyuretan (TPU).

## 3. Inspektion, punkter att kontrollera

Din säkerhet beror av skicket på din utrustning.

Petzl rekommenderar en utförlig inspektion utförd av en kompetent person minst var 12:e månad (beroende på aktuell lagstiftning i det land den används samt under vilka förhållanden den används). Följ anvisningar beskrivna på Petzl.com. Dokumentera resultaten i formuläret för PPE inspektion: typ, modell, tillverkarens kontaktinfo, serienummer eller individuellt nummer, datum: tillverkning, inköp, första användning, nästa kontroll: problem, kommentarer, kontrollantens namn och signatur.

#### Före varje användningstillfälle

Kontrollera skicket på selremmarna och infästningspunkterna.  
Kontrollera att FAST LT PLUS spännena fungerar ordentligt.  
Kontrollera att STRINGs och CAPTIVs finns, är i bra skick och att de är korrekt kopplade med karbiner / webbing.  
Leta efter jack, slitage och skador som uppkommit p.g.a. användning, värme, kemikalier osv. Leta särskilt efter avkapade eller lösa trådar.  
Se detaljer för inspektionen av samtliga delar i PPE-utrustningen på Petzl.com.  
Kontakta Petzl vid eventuella tveksamheter.

#### Under användning

Det är viktigt att regelbundet övervaka produktens skick och dess förbindelsepunkter med andra delar i utrustningen. Se till att de olika delarna i utrustningen är korrekt sammansatta i förhållande till varandra.

## 4. Kompatibilitet

Kontrollera att denna produkt är kompatibel med andra delar i systemet för ditt användande (kompatibel = fungerar bra ihop).  
STEF (S059AA00) är kompatibel med 2020 NEST (S061AA00), men den är inte kompatibel med pre-2020 NEST (S61).

## 5. Montering av STEF på bårn

STEF enkelremmen kopplas till NEST huvudändans infästningspunkt och dubbelremmen till STEF infästningspunkterna på NEST. Sm'D-karbinen måste placeras uppåt. Remmarna får inte vara tvinnande.  
Hissning av bårn görs endast i SWIVEL, eller i infästningspunkten i huvudändan av bårn.  
Varning: beroende på produkter som används, (konfigurationen innan eller efter 2020), se till att använda korrekta infästningspunkterna enligt bilderna.

## 6. Fastsättning av offret

1. Placera bårn på ett stadigt underlag.  
Öppna filkarna och vik dem åt sidorna. Lossa selremmarna. Lossa på fotremmarna. Placera offret på bårn. Patientens axlar ska placeras överst på skumgummidöynan oberoende på patientens längd. Offret måste bära hjälm och skyddsglasögon.
2. Lås FAST LT PLUS spännan på torso och benremmar, notera färgkoden. Varning: notera korrekt rem konfiguration på patienten enligt bilderna.
3. Sätt fast positioneringsremmarna.  
Justera längden på slingorna till fotstöden och spänn fast dem.  
Se till att alla remmar sitter åt så att offret hålls på plats.
4. Vik över huvud- och fotskydden och lås spännena på dessa. Stäng filkarna, eller vik dem åt sidorna, beroende på temperatur, om det finns vatten, osv. Spänn åt filkenremmar. Offrets arm kan vara innanför eller utanför bårn.  
Vissa säkerhetsmoment kan eller kan ej utföras på plats, beroende på offrets skador, som bedöms av en läkare, samt svårighetsgraden på evakueringen.

## 7. Infästningspunkter

Brottsstyrka i infästningspunkter: 15 kN.  
Använd endast dessa punkter för att koppla in bårn till ankare.  
När sidoinfästningspunkterna används se till att alltid använda två punkter tillsammans.

## 8. Bår hanteringspunkter

Bår hanteringspunkter består av åtta bårhandtag samt åtta infästningspunkter för tillbehör.  
Handtagens brottsstyrka: 4 kN.  
Brottsstyrka på infästningspunkterna för tillbehör: 1 kN.  
Varning: dessa punkter ska inte användas för att koppla in bårn till ankare och inte ska ankra en person.

## 9. Konfigurationer för evakuering

Varje evakuerings konfiguration gäller för dessa två konfigurationer:

- Från 2020: endast NEST, eller i kombination med STEF.
- Innan 2020: endast pre-2020 NEST eller i kombination med STEF för pre-2020 NEST.

Se till att följa bilderna för STEF installation på bår för varje ovannämnd konfiguration.

Observera att bilderna ej visar alla tekniker som används vid räddning med bår. Utbildning i dessa tekniker bör ske innan bårn används.

Varning: hissa inte bårn i bårhandtagen.

#### A. Vertikal bår

Evakuering utförs genom att använda infästningspunkten i huvudänden. Anpassad för trånga öppningar. Begränsar risken för stenras för patienten. Dålig komfort för patienten.

#### B. Lutad bår

Petzl råder att använda STEF. Bra kompromiss mellan komfort och omfattning.

#### C. Horisontell bår

Petzl råder att använda STEF. Bra komfort men ökar omfattningen samt risken för att träffas av stenras. Kan beordras av läkare.

#### D. Traverse

## 10. Evakuering med STEF

Varje evakuerings teknik med STEF gäller för följande två konfigurationer:

- Från 2020: NEST och STEF.
- Innan 2020: pre-2020 NEST och STEF för pre-2020 NEST.

Se till att följa bilderna för STEF installation på bår för varje ovannämnd konfiguration.

#### a. Bår i horisontell position

För att säkra denna position, koppla Sm'D till SWIVEL.

#### b. Byte från horisontell till lutad position

Räddaren, som är inkopplad på ett separat rep, är vänd mot bårn. Han/hon kopplar loss Sm'D-karbinen. Räddaren positionerar händer på de två remmarna (fotändan) och lutar bårn, möjligen genom att trycka på bårn med fötterna.

Varning: placera inte händerna på huvudändan: det kanske inte är möjligt att kontrollera graden av lutning, och det finns en risk för att händerna kommer i kläm.

#### c. Byte från lutad till horisontell position

Räddaren kopplar sin korta slingan till STEF ringen, denna ska agera fixerad punkt för att styra manöver. Räddaren ser till att slingan är spänd.

- Kontrollanten och motvikten sänker ner bårn. Den lutar sedan av sig själv.
  - Räddaren klipper in Sm'D i SWIVEL för att säkerställa horisontell position.
- Kontrollanten och motvikten sänker ner bårn. Räddaren tar bort sin slinga från ringen.

## 11. Transport av bårn

Bårn kan förvaras i bärväskan (S062AA00). Vid transport av bårn i fordon kan de långsgående och tvärgående stagen tas ur och vikas ihop.

## 12. Ytterligare information

### När produkten inte längre ska användas

VARNING: i extremfall kan produkten behöva kasseras efter ett enda användningstillfälle, beroende på hur och var den används och vad den utsatts för (tuffa miljöer, hav, vassa kanter, extrema temperaturer, kemikalier, osv.).

Produkten måste kasseras när:

- Den är över 10 år gammal och gjord av plast eller textil.
  - Den har blivit utsatt för ett större fall eller kraftig belastning.
  - Den inte klarar inspektionen. Du tvivlar på dess skick.
  - Du inte helt och hållet känner till dess historia.
  - När den blir omödem pga ändringar i lagstiftningen, nya standarder, ny teknik eller är inkompatibel med annan utrustning osv.
- Förstör dessa produkter för att undvika framtida bruk.

#### Ikoner:

**A. Livslängd: 10 år - B. Märkning - C. Godkända temperaturer - D. Försiktighetsåtgärder användning - E. Rengöring/desinfektion - F. Torkning - G. Förvaring/transport - H. Ändringar/repARATIONER** (ej tillättna utanför Petzls lokaler, undantaget reservdelar) - **I. Frågor/kontakt**

### 3 års garanti

Mot alla material- och tillverkningsfel. Undantag: normalt slitage, rost, modifieringar eller ändringar, felaktig förvaring, dåligt underhåll, försurighet eller felaktig användning.

### Varningsymboler

1. Situation som påvisar en överhängande risk för allvarig skada eller dödsfall.
2. Exponering för möjlig risk för olycka eller skada.
3. Viktig information gällande produktens funktion eller prestation.
4. Inkompatibilitet av utrustning.

### Spårbarhet och märkningar

a. Serienummer - b. Tillverkningsår - c. Tillverkningsmånad - d. Batchnummer - e. Individuell identifiering - f. Läs användarinstruktionerna noga - g. Modellbeteckning



Näissä käyttöohjeissa ohjeistetaan, miten varusteita käytetään oikein. Vain jotkin teknikat ja käyttötavat on esitelty. Varoitusymbolit antavat tietoa joistain varusteiden käyttöön liittyvistä vaaroista, mutta on mahdollista mainita niitä kaikkia. Tarkista päivitykset ja lisätiedot osoitteesta Petzl.com.

Olet itse vastuussa siitä, että huomioit varoitukset ja käytät varusteita oikein. Tämän varusteen väärinkäyttö lisää vaaratilanteiden mahdollisuutta. Ota yhteyttä Petzliin, jos olet epävarma tai et ymmärrä näitä ohjeita täysin.

## 1. Käyttötarkoitus

NEST: parit (200 x 50 x 5 cm) pelastustöyhön vaikeasti saavutettavissa kohteissa. Suunniteltu enintään 150 kg:n painolle ja 1,50–1,90 m:n pituisille henkilöille. STEF: NEST-parien asemointiläite. Käytettäväksi ainoastaan NEST-parien kanssa. Ennen vuotta 2020 valmistettujen NEST-parien STEF: ennen vuotta 2020 valmistettujen NEST-parien asemointiläite. Käytettäväksi ainoastaan ennen vuotta 2020 valmistettujen NEST-parien kanssa. Näitä tuotteita ei saa kuormittaa yli niiden ilmoitetun kestoikyvyn, eikä niitä saa käyttää mihinkään muuhun tarkoitukseen kuin siihen, mihin ne on suunniteltu.

## Vastuu

### VAROITUS

**Toiminta, jossa tätä varustetta käytetään, on luonteeltaan vaarallista. Olet itse vastuussa omista teoistasi ja päätöksistäsi.**

Ennen tämän varusteen käyttämistä sinun pitää:

- Lukea ja ymmärtää kaikki käyttöohjeet.
- Harkkia käyttöä varten erikoiskoulutus.
- Tutustua sen käyttökelvopisuuteen ja rajoituksiin.
- Ymmärtää ja hyväksyä tähän liittyvä riskit.

**Näiden varoitusten huomiotta jättäminen saattaa johtaa vakavaan loukkaantumiseen tai kuolemaan.**

VAROITUS: koulutus ennen käyttöä on välttämätön. Koulutusta tulee soveltaa Käyttötarkoitus-kohdassa määriteltyihin toimiin.

Tätä tuotetta saavat käyttää vain pätevät ja vastuulliset henkilöt tai henkilöt, jotka ovat päteviä ja vastuullisen henkilön välittömän valvonnan alaisia.

Olet vastuussa omista teoistasi, päätöksistäsi sekä turvallisuudestasi ja kannat vastuun tekokesi seurauksista. Jos et ole kykenevä tai oikeutettu ottamaan tätä vastuuta tai et ymmärrä näitä ohjeita täysin, älä käytä tätä varustetta.

## 2. Osaluettelo

### NEST

(1) Päätykiinnityspiste, (2) Sivukiinnityspisteet, (3) STEF-kiinnityspisteet, (4) Kantokahvat, (5) Ylävartaloahihnat, (5 bis) Ylävartaloahihnojen FAST LT PLUS -soljet, (6) Jalkahihnat, (6 bis) Jalkahihnojen FAST LT PLUS -soljet, (7) Jalkatuen säätöahihnat, (8) Asemointihihnat, (9) Jalkatuet, (10) Suojaläpät, (10 bis) Suojaläppien kiristysremmit, (11) Pään suojus, (11 bis) Pään suojuksen säätöahihna, (12) Jalkojen suojus, (13) Lisävarusteiden kiinnityspisteet, (14) Tasku pitkätsaisille jäykisteille, (14 bis) Tasku poikittaisille jäykisteille, (15) Pehmuste.

### STEF

(16) Päädyn yksöishihna, (17) SWIVEL, (18) Am'D, (19) Jalkopään kaksoishihna, (20) Sm'D, (21) Rengas, (22) CAPTV, (23) STRING.

### Päämateriaalit

Hinnat: polyesteri.

Soljet: teräs, alumiiniseos.

Turvakiinnityspiste: alumiiniseos.

Suojapaitteen kangas: termoplastinen polyuuretaani (TPU).

## 3. Tarkastuskohteet

Varusteitesi luotettavuus vaikuttaa turvallisuuteesi.

Petzl suosittelee, että asiantuntija tarkastaa varusteet perusteellisesti vähintään kerran vuodessa (riippuen käyttömaan säädöksistä sekä käyttöolosuhteista). Noudata osoitteessa Petzl.com annettuja ohjeita. Kirjaa tulokset henkilösuojaimen tarkastuslomakkeeseen: tyyppi, malli, valmistajan yhteystiedot, sarja- tai yksilönnumero, päivämäärät: valmistuksen, oston, ensimmäisen käyttökeran, seuraavan määräaikaistarkastuksen; ongelmat, kommentit, tarkastajan nimi ja allekirjoitus.

### Ennen jokaista käyttöä

Tarkista valjaiden remmien ja kiinnityspisteiden kunto. Varmista, että FAST LT PLUS -soljet toimivat moitteettomasti. Tarkista, että STRING-suojukset ja CAPTV-tangot ovat paikallaan ja hyvässä kunnossa ja että ne on kiinnitetty liittimiin/hihnoihin oikein.

Tarkista, ettei niissä ole viiltoja ja etteivät ne ole kuluneet tai vaurioituneet käytön, kuumuuden tai kemikaalien tms. vuoksi. Varmista erityisen huolellisesti, etteivät kuidut ole katkeilleet tai purkautuneet.

Tarkista kunkin henkilösuojainjärjestelmän osan oikea tarkastusmenetelmä osoitteessa Petzl.com.

Ota yhteyttä Petzliin, mikäli olet mistään epävarma.

### Käytön aikana

On tärkeää tarkastaa tuotteen kunto ja kiinnityminen järjestelmän muihin osiin säännöllisin väliajoin. Varmista, että kaikki varusteet ovat oikeassa asennossa toisiinsa nähden.

## 4. Yhteensopivuus

Varmista, että tuote on yhteensopiva muiden järjestelmäsi osien kanssa (yhteensopivuus = hyvä toimivuus yhdessä käytettynä). STEF (S059AA00) on yhteensopiva vuoden 2020 NESTin (S061AA00) kanssa mutta ei ennen vuotta 2020 valmistettujen NESTien (S61) kanssa.

## 5. STEFin asentaminen paareihin

STEF-yksöishihna kiinnitetään NESTin päätykiinnityspisteeseen ja kaksoishihnat NESTin STEF-kiinnityspisteisiin. Sm'D-sulkurengas tulee asettaa ylöspäin. Hinnat eivät saa olla kiertellä.

Paareja nostetaan vain SWIVEL-leikarin tai päätykiinnityspisteen varassa. Varoitus: varmista käytetyistä tuotteista (valmistettu ennen vuotta 2020 tai vuoden 2020 jälkeen) riippuen oikeat kiinnityspisteet tarkistamalla ne kuvista.

## 6. Potilaan asettaminen

1. Aseta parit tasaiselle alustalle. Avaa läpät ja aseta ne sivuille. Avaa valjaiden hihnojen soljet. Löysennä jalkatukien säätöahihnoja.

Aseta potilas paareille. Potilaan olkapäät tulee asettaa pehmustelle potilaan pituudesta riippumatta. Potilaalla tulee olla kypärä ja silmäsuojus.

2. Lukitse ylävartalo- ja jalkahihnojen FAST LT PLUS -soljet värikoodien mukaisesti. Varoitus: kiinnitä huomiota potilaan hihnojen asianmukaiseen asetukseen kuvien mukaisesti.

3. Kiinnitä asemointihihnat.

Säädä jalkatukien hinnat ja kiinnitä soljet.

Varmista, että kaikki hinnat ovat niin kireällä, että ne pitävät potilaan tukevasti paikoillaan, mutta eivät aiheuta kipupisteitä.

4. Laita pää- ja jalkatuet paikoilleen ja kiinnitä niiden soljet. Sulje läpät tai taita ne sivuille riippuen lämpötilasta, vedestä tms. Kiristä läppien hinnat. Potilaan käsivarret voivat olla joko parien sisällä tai niiden ulkopuolella.

Kalkkia osia ei välttämättä saa kiinni, sillä potilas saattaa olla vaikeasta paikasta haavoittunut tai olosuhteet voivat olla erittäin vaativat.

## 7. Kiinnityspisteet

Kiinnityspisteiden murtolujuus: 15 kN.

Käytä näitä pisteitä ainoastaan parien liittämiseen ankkuriin.

Kun käytät sivukiinnityspisteitä, muista aina käyttää näitä kahta pistettä yhdessä.

## 8. Parien kantopisteet

Parien kantopisteet koostuvat kahdeksasta kantokahvasta ja kahdeksasta lisävarusteiden kiinnityspisteestä.

Kahvojen murtolujuus: 4 kN.

Lisävarusteiden kiinnityspisteiden murtolujuus: 1 kN.

Varoitus: näitä pisteitä ei tule käyttää parien kiinnittämiseen ankkuriin eikä henkilön ankkurointiin.

## 9. Pelastuskokoonpanot

Pelastuskokoonpanot koskevat näitä kahta kokoonpanoa:

- Valmistettu aikaisintaan vuonna 2020: pelkkä NEST tai käyttö yhdessä STEFin kanssa.

- Valmistettu ennen vuotta 2020: pelkkä ennen vuotta 2020 valmistettu NEST tai käyttö yhdessä ennen vuotta 2020 valmistetulle NESTille tarkoitetun STEFin kanssa. Muista noudattaa STEFin paarisennuskaaviota kussakin yllä mainitussa kokoonpanossa.

Selvyyden vuoksi kuvissa ei ole esitetty kaikkia paaripelastuksessa käytettäviä tekniikoita. Sinun tulee kouluttautua näissä tekniikoissa ennen parien käyttöä. Varoitus: älä nosta paareja kantokahvoilla.

### A. Parit pystysuorassa

Eväkuoinnissa käytetään päätykiinnityspistettä. Sopii ahtaisiin tiloihin. Rajoittaa potilaan altistumista putoaville kiville. Potilaalle epämukavin asento.

### B. Parit melkein pystysuorassa

Suosittellemme käyttämään STEFiä. Hyvä tasapaino asennon ja tilanviennin välillä.

### C. Parit vaakatasossa

Suosittellemme käyttämään STEFiä. Mukava potilaalle, mutta vie paljon tilaa ja altistaa potilaan putoaville kiville. Lääkäri voi määrätä tämän asennon.

### D. Tirollainen rata

## 10. Pelastus STEFillä

STEF-pelastustekniikat koskevat näitä kahta kokoonpanoa:

- Valmistettu aikaisintaan vuonna 2020: NEST ja STEF.

- Valmistettu ennen vuotta 2020: ennen vuotta 2020 valmistettu NEST ja ennen vuotta 2020 valmistetulle NESTille tarkoitettu STEF.

Muista noudattaa STEFin paarisennuskaaviota kussakin yllä mainitussa kokoonpanossa.

### a. Parit vaakatasossa

Kiinnitä Sm'D-sulkurengas SWIVEL-leikarin asennon vakaannuttamiseksi.

### b. Vaakatasoisesta asennosta kallistettuun asentoon siirtyminen

Erilliseen köyteen kiinnittynyt pelastaja on asetuttu paareja kohti. Pelastaja irrottaa Sm'D-sulkurenkaan. Tämän jälkeen pelastaja asettaa katensä kahdelle (jalkopään) hihnalle ja kallistaa paareja. Pelastaja voi tällöin kallistaa paareja myös jalallaan.

Varoitus: älä laita käsiasi päätypuolelle, sillä et tällöin välttämättä pysty hallitsemaan kallistumisvauhtia ja kädet saattavat jäädä puristuksiin.

### c. Kallistetusta asennosta vaakatasoiseen asentoon siirtyminen

Pelastaja kiinnittää lyhyen liitosköyden STEFin renkaaseen, joka toimii kiinteänä ohjaamista helpottavana pisteenä. Pelastaja varmistaa liitosköyden kireyden.

- Kontrolloija ja vastapaino laskevat paareja. Siten ne kallistuvat luontevasti.

- Pelastaja kiinnittää Sm'D:n SWIVELiin vaaka-asennon varmistamiseksi. Kontrolloija ja vastapaino nostavat paareja. Pelastaja irrottaa liitosköyden renkaasta.

## 11. Parien kuljettaminen

Paareja voi säilyttää kuljetuslaukussa (S062AA00). Pitkittäiset ja poikittaiset jäykisteet voidaan poistaa ja parit taitella autokuljetusta varten.

## 12. Lisätieto

### Milloin varusteet poistetaan käytöstä

VAROITUS: erikoistapauksissa saatat joutua poistamaan tuotteen käytöstä vain yhden ainoan käyttökerran jälkeen. Tämä riippuu käytön rasittavuudesta ja käyttöolosuhteista (ankarat olosuhteet, meriympäristö, terävät reunat, äärimmäiset lämpötilat, kemikaalit tms.).

Tuote on poistettava käytöstä, kun:

- Se on yli 10 vuotta vanha ja valmistettu muovista tai tekstiileistä.
  - Se on altistunut rajulle pudotukselle tai raskaalle kuormitukselle.
  - Se ei läpäise tarkastusta. Sinulla on pienikin epäily sen luotettavuudesta.
  - Et tunne sen käyttöhistoriaa täysin.
  - Se vanhenee lainsäädännön, standardien, tekniikoiden tms. muuttumisen vuoksi tai se ei enää ole yhteensopiva muiden varusteiden kanssa.
- Tuhoa käytöstä poistetut varusteet, jottei kukaan käytä niitä enää.

### Kuvakkeet:

**A. Käyttöikä: 10 vuotta** - **B. Merkinnot** - **C. Hyväksytyt käyttölämpötilat** - **D. Käytön varoimet** - **E. Puhdistus/desinfointi** - **F. Kuivaaminen** - **G. Säilytys/ kuljetus** - **H. Muutokset/korjaukset** (kielletty muiden kuin Petzlin toimesta, ei koske varaosia) - **I. Kysymykset/yhteydenotto**

### 3 vuoden takuu

Kattaa kaikki materiaali- ja valmistusviat. Takuuseen eivät kuulu: normaali kuluminen, hapettuminen, varusteeseen tehdyt muutokset, virheellinen säilytys, huono ylläpito ja välinpitämättömyyden tai sellaisen käytön aiheuttamat vauriot, johon tuotetta ei ole suunniteltu.

### Varoitussymbolit

1. Tilanne, jossa on vakava loukkaantumisen tai kuoleman vaara. 2. Onnettomuus- tai loukkaantumisvaara. 3. Tärkeää tietoa tuotteesi toiminnasta tai suorituskyvystä. 4. Tuotteiden yhteensopimattomuus.

### Jäljitettävyyys ja merkinnät

a. Sarjanumero - b. Valmistusvuosi - c. Valmistuskuukausi - d. Eränumero - e. Yksilöllinen tunnistite - f. Lue käyttöohjeet huolellisesti - g. Mallin tunnistekoodi

## NO

Denne bruksanvisningen forklarer hvordan du bruker utstyret på korrekt måte. Kun enkelte teknikker og bruksmetoder er beskrevet.

Advarselssymbolene gir informasjon om enkelte potensielle farer som er forbundet med bruk av utstyret, men det er umulig å beskrive alle potensielle farer. Oppdateringer og tilleggsinformasjon finner du på Petzl.com.

Du er selv ansvarlig for å forstå og ta hensyn til disse advarselene, og for å bruke utstyret på korrekt måte. Feil bruk av utstyret vil medføre ytterligere risiko. Kontakt Petzl dersom du er i tvil, eller dersom du ikke forstår disse bruksanvisningene.

### 1. Bruksområde

NEST: redningsbåre (200 x 50 x 5 cm) for redning når tilkomsten er vanskelig. Laget for en øvre kroppsvækt på 150 kg og høyde mellom 1,50 m og 1,90 m.

STEF: Justerbar slynge for NEST-redningsbåren. Skal kun brukes sammen med NEST-redningsbåren.

STEF for NEST-redningsbåre som er produsert før 2020: Justerbar slynge for NEST-redningsbåre som er produsert før 2020. Skal kun brukes sammen med NEST-redningsbåren som er produsert før 2020.

Disse produktene må ikke brukes utover sine begrensninger, eller i andre situasjoner som de ikke er beregnet for.

#### Ansvar

#### ADVARSEL

**Aktiviteter som involverer bruk av dette produktet er farlige. Du er selv ansvarlig for dine egne handlinger og avgjørelser.**

For du tar i bruk utstyret, må du:

- Lese og forstå alle bruksanvisningene.
- Sørg for å få spesifikk opplæring i hvordan produktet skal brukes.
- Gjøre deg kjent med produktet og tilegne deg kunnskap om dets muligheter og begrensninger.
- Forstå og akseptere risikoen i aktiviteter som involverer bruk av produktet.

**Manglende respekt for bare ett av disse punktene kan medføre alvorlig personskade eller død.**

ADVARSEL: For du tar i bruk utstyret er det svært viktig at du får spesifikk opplæring i hvordan det skal brukes. Denne opplæringen må tilpasses utstyrets bruksområder, som er definerte i punktet Bruksområde.

Dette produktet skal kun brukes av kompetente og ansvarlige personer, eller under direkte tilsyn av en kompetent og ansvarlig person.

Du er selv ansvarlig for dine egne handlinger, avgjørelser og din egen sikkerhet, og du tar selv på deg ansvaret for dette. Dersom du ikke er i stand til å ta på deg dette ansvaret eller dersom du ikke forstår bruksanvisningene, skal du ikke bruke utstyret.

### 2. Liste over deler

#### NEST

(1) Tilkoblingspunkt i hodeenden, (2) Sidetilkoblingspunkter, (3) STEF-tilkoblingspunkter, (4) Bærehåndtak, (5) Bryststropper, (6 bis) FAST LT PLUS-spenner til bryststropp, (6) Lårstropper, (6 bis) FAST LT PLUS-spenner til lårstropper, (7) Justeringsstropper til fotstøtter, (8) Posisjoneringsstropper, (9) Fotstøtter, (10) Klaffer, (10 bis) Stropper til lukking av klaffer, (11) Overtrekk til beskyttelse av hodet, (11 bis) Justeringsstropp til overtrekk for hodet, (12) Overtrekk til beskyttelse av føtter, (13) Ekstra tilkoblingspunkter, (14) Lomme for langsgående avstivere, (14 bis) Lomme for tverrgående avstivere, (15) Polstret underlag.

#### STEF

(16) Enkel stropp for hodeenden, (17) SWIVEL, (18) Am'D, (19) Doble stropper for fotenden, (20) Sm'D, (21) Ring, (22) CAPTIV, (23) STRING.

#### Hovedmaterialer

Bånd: polyester.  
Spenner: stål, aluminiumslegering.  
Tilkoblingspunkt for sikring: aluminiumslegering  
Stoff: termoplastisk polyuretan (TPU).

### 3. Kontrollpunkter

Din sikkerhet avhenger av at utstyret du bruker er i god stand.

Petzl anbefaler at en grundig kontroll blir gjort av en kompetent person minst én gang årlig (avhengig av gjeldende regelverk i ditt land og hvordan du bruker utstyret). Følg prosedyrene som er beskrevet på Petzl.com. For resultatene inn i et PVU-kontrollskjema: utstyrstype, modell, navn og kontaktinformasjon på produsent, serie- eller uniknummer, datoer: produksjonsdato, kjøpsdato, dato for når produktet ble tatt i bruk, neste periodiske kontroll, kommentarer og markerte feil, kontrollørens navn og signatur og dato for neste planlagte kontroll.

#### For du bruker produktet

Kontroller selestroppene og tilkoblingspunkter for slitasje.  
Kontroller at FAST LT PLUS-spennene fungerer som de skal.  
Kontroller at STRING og CAPTIV er tilstede, at tilstanden er god og at de er korrekt sammenkoblet med koblingsstykker og bånd.  
Se etter kutt, slitasje, bulker og skade forårsaket av bruk, varme, kjemikalier, osv. Se spesielt etter avkuttede eller løse tråder.  
Detaljert informasjon om kontrollrutiner for hvert PVU finner du på Petzl.com.  
Kontakt Petzl dersom du er i tvil.

#### Under bruk

Det er viktig å jevnlig kontrollere at produktet fungerer som det skal og at produktets koblinger til andre elementer i systemet fungerer. Forsikre deg om at alle elementene er riktig posisjonert i forhold til hverandre.

### 4. Kompatibilitet

Kontrollér at produktet er kompatibelt med de andre elementene i systemet (kompatibelt = at produktet fungerer som det skal sammen med de andre elementene).

STEF (S059AA00) er kompatibel med 2020 NEST (S061AA00), men er ikke kompatibel med NEST som er produsert før 2020 (S61).

### 5. Tilkobling av STEF til redningsbåren

STEF festes i tilkoblingspunktet i hodeenden på NEST og de doble stroppene festes i tilkoblingspunktene for STEF i fotenden av NEST. Sm'D-karabineren må innrettes stående. Stroppene må ikke tvinnes.

Heising av båren gjøres kun med SWIVEL, eller fra bårens tilkoblingspunkt i hodeenden.

Advarsel: Avhengig av hvilke produkt som brukes (produsert før 2020 eller etter 2020), påse at du bruker de riktige tilkoblingspunktene ved å se på tegningene.

### 6. Slik plasserer du den skadde på båren

1. Plasser redningsbåren på et stabilt underlag.  
Brett ut klaffene. Løsne stroppene på kroppsselen. Løsne stroppene til fotstøttene. Plasser pasienten på redningsbåren. Kanten på det mye liggeunderlaget bør være i linje med toppen av skuldrene til pasienten, uavhengig av personens høyde. Pasienten bør ha helm og øyevær.  
2. Lukk FAST LT PLUS-spennene på brystet og over lårene. Vær oppmerksom på fargekodene. Advarsel: Påse at stroppene er korrekt festet rundt pasienten, slik som vist på tegningene.  
3. Stram posisjoneringsstroppene.  
Juster lengden på stroppene til fotstøttene og fest spennene.  
Sørg for at alle stropper er tilstrekkelig strammet slik at den skadde ligger trygt, uten smertefulle trykkipunkter.  
4. Fold trekkene over hode og føtter og fest disse. Lukk klaffene eller brett de ned langs siden, avhengig av temperatur, nedbør osv. Stram stroppene til klaffene. Pasientens armer kan plasseres utenpå eller under klaffene.  
I enkelte tilfeller vil ikke alle sikkerhetsstroppene kunne sikres optimalt. Dette avhenger av skadens omfang og plassering, og hvor krevende evakueringen er.

### 7. Tilkoblingspunkt

Bruddstyrke på tilkoblingspunktene: 15 kN.

Bruk kun disse punktene for å koble båren til forankringen.

Når sidetilkoblingspunktene brukes, må de alltid brukes samen.

### 8. Redningsbårens håndtak

Redningsbårens håndtak består av åtte håndtak og åtte ekstra tilkoblingspunkter.

Håndtakets bruddstyrke: 4 kN.

Bruddstyrke på ekstra tilkoblingspunkt: 1 kN.

Advarsel: Disse punktene må ikke brukes til å koble redningsbåren til et forankringspunkt, og heller ikke til forankring av en person.

### 9. Evakueringsposisjoner

Alle evakueringsposisjoner gjelder i følgende tilfeller:

- Fra og med 2020: NEST alene eller i kombinasjon med STEF.

- For 2020: NEST produsert før 2020 alene, eller i kombinasjon med STEF for NEST 2020.

Påse at du følger illustrasjonene når du monterer STEF på redningsbåren i hvert av tilfellene ovenfor.

For at bildene skal være mer oversiktlige, viser tegningene bare noen få av de aktuelle redningsteknikkene for redning med båre. Sørg for å få opplæring i disse teknikkene før du bruker redningsbåren.

Advarsel: Heis aldri redningsbåren etter bærehåndtakene.

#### A. Vertikal posisjon

Ved evakueringen skal tilkoblingspunktet i hodeenden brukes. Denne posisjonen er tilpasset for redning i smale passasjer. Dette begrenser risikoen for at pasienten treffes av stein. Posisjonen er lite komfortabel.

#### B. Skrående posisjon

Vi anbefaler at du bruker STEF. Denne posisjonen gir god komfort, samtidig som båren tar mindre plass.

#### C. Horizontal posisjon

Vi anbefaler at du bruker STEF. Denne posisjonen gir god komfort, men båren tar mer plass. Pasienten er også mer utsatt for steinsprang. Skadens omfang kan kreve bruk av denne posisjonen.

#### D. Taubane

### 10. Evakuering ved bruk av STEF

Alle evakueringsteknikker med STEF gjelder i følgende tilfeller:

- Fra og med 2020: NEST og STEF.

- For 2020: NEST produsert før 2020 og STEF produsert for NEST før 2020.

Påse at du følger illustrasjonene når du monterer STEF på redningsbåren i hvert av tilfellene ovenfor.

#### a. Båren i horisontal posisjon

Posisjonen sikres ved å koble Sm'D til SWIVEL.

#### b. Bytte fra horisontal til skråtilt posisjon

Redningspersonen, som er koblet til et eget tau, sitter vendt mot båren og kobler ut Sm'D-karabineren. Redningspersonen plasserer hendene på de to stroppene i fotenden og vipper båren. Føttene kan også brukes til å dytte båren i posisjon. Advarsel: Hold ikke hendene på bårens hodeende. Du vil kanskje ikke være i stand til å kontrollere helningen på båren og det er fare for at hendene kommer i klem.

#### c. Bytte fra skråtilt til horisontal posisjon

Redningspersonen kobler den korte slyngen til ringen på STEF, noe som letter posisjoneringen. Redningspersonen må påse at slyngen holder seg stram.  
- Båren senkes. Den vippes av seg selv.  
- Redningspersonen kobler så Sm'D til SWIVEL for å sikre den horisontale posisjonen. Båren heves. Redningspersonen fjerner sin slynge fra ringen.

### 11. Transport av redningsbåren

Redningsbåren kan oppbevares i et bæretrekk (S062AA00). Dersom redningsbåren skal transporteres i bil, kan den legges sammen ved å fjerne de langsgående og tverrgående avstiverne.

### 12. Tilleggsinformasjon

#### Når skal utstyret kasseres

ADVARSEL: Spesielle hendelser kan begrense produktets levetid til kun én gangs bruk. Eksempler på dette er eksponering for barskt klima, saltvann, skarpe kanter, ekstreme temperaturer, kjemiske produkter osv.

Et produkt må kasseres når:

- Det er eldre enn 10 år og består av plast eller tekstiler.
- Det har tatt et kraftig fall eller stor belastning.
- Det ikke blir godkjent i kontroll, eller du er i tvil om det er pålitelig.
- Du ikke kjenner produktets fullstendige historie.
- Det blir foreldet på grunn av utvikling og endring av lovttekster, standarder, bruksteknikker, og når det blir inkompatibelt med annet utstyr osv.
- Destruer disse produktene for å hindre videre bruk.

#### Symboler:

**A. Levetid: 10 år - B. Merking - C. Temperaturbegrensninger - D. Forholdsregler for bruk - E. Rengjøring/desinfeksjon - F. Torking - G. Oppbevaring/transport - H. Modifiseringer/reparasjoner** (som ikke er godkjent av Petzl er forbudt. Bytting av utskiftbare deler er unntatt forbudet). - **I. Spørsmål/kontakt oss**

#### 3 års garanti

På alle materielle feil og fabrikkasjonfeil. Følgende dekkes ikke av garantien: normal slitasje, oksidering, endringer eller modifikasjoner, feil lagring, dårlig vedlikehold eller annen bruk enn det produktet er beregnet for.

#### Advarselssymboler

1. Situasjonen skaper overhengende fare for alvorlig personskade eller død. 2. Eksponering for potensiell utykke eller personskade. 3. Viktig informasjon om produktets funksjon og virkemåte. 4. Utstyret er ikke kompatibelt.

#### Sporbarhet og merking

a. Serienummer - b. Produksjonsår - c. Produksjonsmåned - d. Batch-nummer  
- e. Individuelt identifikasjonsnummer - f. Les bruksanvisningen grundig - g. Modellidentifikasjon

Niniejsza instrukcja przedstawia prawidłowy sposób używania waszego sprzętu. Zaprezentowane zostały niektóre techniki i sposoby użycia.

Symbol trapezowej części ostrzegają przed niektórymi niebezpieczeństwami związanymi z użyciem waszego sprzętu, ale nie jest możliwe wymienienie wszystkich zagrożeń. Należy sprawdzać uaktualnienia instrukcji oraz dodatkowe informacje na Petzl.com.

Użytkownik ponosi odpowiedzialność za stosowanie się do każdego ostrzeżenia oraz do prawidłowego używania swojego sprzętu. Każde złe użycie tego sprzętu będzie prowadziło do powstania dodatkowych zagrożeń. W razie wątpliwości lub trudności zrozumieniu instrukcji należy się skontaktować z Petzl.

## 1. Zastosowanie

NEST: nosze (200 x 50 x 5 cm) do ratownictwa w miejscach trudno dostępnych. Przeznaczone dla ciężaru 150 kg maksimum i wzrostu pomiędzy 1,50 m i 1,90 m. STEF: zestaw do nachylania noszy NEST. Do użycia wyłącznie z noszami NEST. STEF do noszy NEST sprzed roku 2020; zestaw do nachylania noszy NEST sprzed roku 2020. Do użycia wyłącznie z noszami NEST sprzed roku 2020. Produkty te nie mogą być poddawane obciążeniom przekraczającym ich wytrzymałość oraz stosowane innych celów niż te, do których zostały przewidziane.

## Odpowiedzialność

### UWAGA

**Wszelkie działania wymagające użycia tego produktu są z samej swej natury niebezpieczne.**

**Użytkownik ponosi odpowiedzialność za swoje działania i decyzje.**

Przed użyciem produktu należy:

- Przeczytać i zrozumieć wszystkie instrukcje użytkownika.
- Zdobyć odpowiednie przeszkolenie dla prawidłowego używania tego produktu.
- Zapoznać się z produktem, z jego parametrami i ograniczeniami.
- Zrozumieć i zaakceptować potencjalne niebezpieczeństwo.

**Nieprzeżeganie lub zlekceważenie któregokolwiek z powyższych ostrzeżeń może prowadzić do poważnych uszkodzeń ciała lub do śmierci.**

UWAGA: Przed przystąpieniem do użytkowania niezbędne jest przeszkolenie. Przeszkolenie to musi być dostosowane do działania zgodnego z zastosowaniem przyrządu.

Produkt ten może być używany jedynie przez osoby kompetentne i odpowiedzialne lub pod bezpośrednią kontrolą takich osób.

Użytkownik ponosi odpowiedzialność za swoje działania, decyzje, bezpieczeństwo i odpowiada za konsekwencje. Jeżeli nie zamierza lub nie jest w stanie takiej odpowiedzialności i ryzyka podjąć, nie rozumiał instrukcji użytkownika, nie powinien posługiwać się tym sprzętem.

## 2. Oznaczenia części

### NEST

(1) Punkt wpinania od strony głowy, (2) Boczne punkty wpinania, (3) Punkty wpinania STEF, (4) Uchwyty transportowe, (5) Taśmy uprząży piersiowej, (5 bis) Klamry FAST LT PLUS uprząży piersiowej, (6) Taśma udowa, (6 bis) Klamry FAST LT PLUS taśmy udowej, (7) Taśmy regulacji oparcia dla stóp, (8) Taśmy podtrzymujące, (9) Oparcie dla stóp, (10) Płachta, (10 bis) Taśmy zamykające płachtę, (11) Kaptur na głowę, (11 bis) Taśmy do regulacji kaptura na głowę, (12) Kaptur na stopy, (13) Punkty wpinania akcesoriów, (14) Przejście listew podłużnych, (14 bis) Przejście listew poprzecznych, (15) Materac-pianka.

### STEF

(16) Taśma pojedyncza od strony głowy, (17) SWIVEL, (18) Am'D, (19) Taśmy podwójne od strony stóp, (20) Sm'D, (21) Kulocho, (22) CAPTIV, (23) STRING.

### Materiały podstawowe

Taśmy: poliester.

Klamry: stal, stop aluminium.

Punkt wpinania: stop aluminium.

Płachta: poliuretan termoplastyczny (TPU).

## 3. Kontrola, miejsca do sprawdzenia

Wasze bezpieczeństwo jest związane z niezawodnością sprzętu.

Petzl zaleca przeprowadzanie dogłębnej kontroli przynajmniej raz na 12 miesięcy, przez osobę kompetentną (w zależności od prawodawstwa w waszym kraju oraz waszych warunków użytkowania). Należy przestrzegać procedur opisanych na Petzl.com. Na karcie kontrolnej waszego SOI należy zapisać rezultaty kontroli: typ sprzętu, model, nazwa i adres producenta lub dostawcy, numer seryjny lub indywidualny, daty: produkcji, zakupu, pierwszego użycia, następnych kontroli, wady, uwagi, nazwisko i podpis kontrolera.

### Przed każdym użyciem

Sprawdź stan taśm uprząży i punktów wpinania.

Sprawdź prawidłowe działanie klamer FAST LT PLUS.

Sprawdź obecność i stan elementów STRING oraz CAPTIV, jak również ich prawidłowy montaż z łącznikami/taśmami.

Zwróć uwagę na przecięcia i rozerwania oraz uszkodzenia spowodowane wysoką temperaturą, kontaktem ze środkami chemicznymi itp. Uwaga na przecięte lub wyciągnięte nici.

Szczegółowe procedury kontrolne każdego SOI znajdują się na stronie stronie Petzl.com.

W przypadku wątpliwości skontaktować się z przedstawicielem Petzl.

### Podczas użytkowania

Należy regularnie kontrolować stan produktu i jego połączenie z pozostałymi elementami systemu. Upewnić się co do prawidłowej - względem siebie - pozycji elementów wyposażenia.

## 4. Kompatybilność

Należy sprawdzić kompatybilność tego produktu z pozostałymi elementami systemu w określonym zastosowaniu (patrz właściwa dla produktu instrukcja). STEF (S059AA00) jest kompatybilny z noszami NEST produkowanymi od roku 2020 (S061AA00), ale nie jest kompatybilny z poprzednim modelem NEST sprzed 2020 (S61).

## 5. Instalacja STEF na noszach

Taśma pojedyncza STEF jest połączona z punktem wpinania noszy NEST od strony głowy, a taśmy podwójne STEF do bocznych punktów wpinania noszy NEST. Karabinek Sm'D musi być umieszczony w górę. Taśmy nie powinny być skręcone. Wyciąganie noszy wyłącznie przez SWIVEL lub punkt wpinania od strony głowy. Uwaga: w zależności od używanych produktów (konfiguracja sprzed 2020 lub po 2020) należy używać odpowiednich punktów wpinania, sprawdzając to na rysunkach.,

## 6. Wkładanie poszkodowanego

1. Położyć nosze na stabilnym podłożu.

Otworzyć płachtę i rozłożyć je na boki. Wsunąć taśmy uprząży całościowo.

Rozsunąć taśmy podpory dla stóp.

Umieścić poszkodowanego na noszach. Góra materaca-pianki odpowiada miejscu, w którym znajdują się plecy ranne, niezależnie od jego wzrostu. Poszkodowany musi mieć kask i okulary ochronne.

2. Zapiąć klamry FAST LT PLUS na taśmach piersiowych i udowych przestrzegając kolorowy kod. Uwaga: należy zachować prawidłowy sposób przesuwania taśm na poszkodowanym, zgodny z rysunkami.

3. Zamknąć taśmy podtrzymujące.

Dopasować długość taśm podpory stóp i zapiąć klamry w podporze.

Upewnić się, że wszystkie taśmy są wystarczająco mocno zaciągnięte, jednocześnie ograniczając miejsca ucisków, które mogą sprawić ból poszkodowanemu.

4. Założyć kaptur na głowę i nogi, zapiąć klamry kaptura na nogi. Zasuwać płachtę lub umieścić je z boku w zależności od temperatury, obecności wody itd. Zaciągnąć taśmy płacht. Ramiona poszkodowanego mogą być wewnątrz lub na zewnątrz. Różne elementy bezpieczeństwa zostaną umieszczone lub nie, w zależności od obrażeń stwierdzonych przez lekarza i w zależności od trudności terenu, które trzeba pokonać podczas transportu.

## 7. Punkty wpinania

Obciążenie niszczące punktów wpinania: 15 kN.

Wyłącznie te punktu umożliwiają wpięcie noszy do stanowiska.

W razie użycia bocznych punktów wpinania należy zawsze używać obydwu punktów razem.

## 8. Punkty manipulacji noszami

Punkty manipulacji noszami stanowi osiem uchwytów transportowych, jak również osiem punktów wpinania akcesoriów.

Obciążenie niszczące uchwytów transportowych: 4 kN.

Obciążenie niszczące punktów wpinania akcesoriów: 1 kN.

Uwaga: te punkty nie są przeznaczone do wpięcia noszy do punkty stanowiskowego, ani nie służą do wpinania lony ratownika.

## 9. Konfiguracje do ewakuacji

Każda z konfiguracji do ewakuacji dotyczy dwóch następujących konfiguracji:

- Od roku 2020: NEST pojedynczo lub w połączeniu ze STEF.
- Przed rokiem 2020: NEST sprzed 2020 pojedynczo lub w połączeniu ze STEF do noszy NEST sprzed 2020.

Należy przestrzegać schematu instalacji STEF dla noszy, dla każdej z wymienionych konfiguracji.

Na rysunkach nie zostały przedstawione wszystkie techniki stosowane podczas ratownictwa z użyciem noszy. Przed każdym użyciem noszy należy przejść odpowiednie przeszkolenie.

Uwaga! Nie wyciągać noszy za uchwyty transportowe.

### A. Nosze pionowo

Evakuacja odbywa się przy użyciu punktu wpinania od strony głowy. Dostosowane do wąskich studni. Ograniczenie ryzyka upadku kamieni na poszkodowanego. Minimalny komfort dla poszkodowanego.

### B. Nosze nachylone

Zalecamy użycie urządzenia STEF. Dobry kompromis między wygodą/ zawadzaniem.

### C. Nosze poziome

Zalecamy użycie urządzenia STEF. Pozycja wygodna dla poszkodowanego, ale zajmująca dużo miejsca i narażająca go na upadki kamieni. Może być zalecona przez lekarza,

### D. Tyrolka

## 10. Ewakuacja przy pomocy STEF

Każda z technik ewakuacji przy pomocy STEF dotyczy dwóch następujących konfiguracji:

- Od roku 2020: NEST i STEF
  - Przed rokiem 2020: NEST sprzed roku 2020 i STEF dla NEST sprzed 2020.
- Należy przestrzegać schematu instalacji STEF dla noszy, dla każdej z wymienionych konfiguracji.

### a. Nosze w pozycji poziomej

W celu zabezpieczenia tej pozycji należy wpiąć Sm'D do SWIVELA.

### b. Przejście z pozycji poziomej do nachylonej

Ratownik, będący na osobnej linie, ustawia się twarzą do noszy. Wypina karabinek Sm'D. Następnie umieszcza obie dłonie na taśmach (od strony nóg) i pochyla nosze, ewentualnie naciskając nogami na nie. Uwaga. Nie umieszczać rąk na taśmie od strony głowy; istnieje ryzyko, że nie utrzyma się przechylających się noszy i ręce zostaną „przyszczypane”.

### c. Przejście z pozycji nachylonej do poziomej

Ratownik wpiną swoją krótką lonżę do petli STEF, która będzie służyła jako stały punkt i będzie kierowała manewrem. Ratownik napina lonżę.

Ratownik na górze, przy stanowisku i przeciwwaga powodują opuszczanie noszy. Jest to ruch naturalny.

- Ratownik wpiną Sm'D do krętlika SWIVEL, by zabezpieczyć pozycję horyzontalną. Ratownik będący na górze i przeciwwaga powodują wyciąganie noszy. Ratownik przy noszach wypina lonżę z petli.

## 11. Transport noszy

Nosze mogą zostać złożone i schowane do worka transportowego (S062AA00).

Do transportu noszy w pojeździe można usunąć listwy podłużne i poprzeczne, a następnie złożyć nosze.

## 12. Dodatkowe informacje

### Utylizacja

UWAGA: w wyjątkowych okolicznościach może się zdarzyć, że jednorazowe użycie sprzętu spowoduje jego zniszczenie, np. kontakt z niebezpiecznymi substancjami chemicznymi, ekstremalnymi temperaturami, środowiskiem morskim, kontakt z ostrą krawędzią, duże obciążenia, poważne odpiadnięcie itd.

Produkt musi zostać wycofany jeżeli:

- Ma więcej niż 10 lat i zawiera elementy plastikowe lub tekstylne.

- Zaliczył poważny upadek (lub obciążenie).

- Rezultat kontroli nie jest satysfakcjonujący. Istnieją jakiegokolwiek podejrzenia co do jego niezawodności.

- Nie jest znana pełna historia użytkownika.

- Jeśli jest przestarzały (rozwoj prawny, normatywny lub niekompatybilność z innym wyposażeniem itd.).

Należy zniszczyć wycofane produkty, by uniknąć ich przypadkowego użycia.

### Piktogramy:

**A. Czas życia: 10 lat - B. Oznaczenia - C. Tolerowane temperatury - D. Środki ostrożności podczas użytkowania - E. Czyszczenie/dezynfekcja - F. Suszenie - G. Przechowywanie/transport - H. Modyfikacje lub naprawy, wykonywane poza fabrykami Petzl, są zabronione (nie dotyczy części zamiennych) - I. Pytania/kontakt**

### Gwarancja 3 lata

Dotyczy wszelkich wad materiałowych i produkcyjnych. Gwarancji nie podlegają produkty: noszące cechy normalnego zużycia, zardzewiałe, przerabiane i modyfikowane, nieprawidłowo przechowywane, uszkodzone w wyniku wypadków, zaniedbań i zastosowań niezgodnych z przeznaczeniem.

### Znaki ostrzegawcze

1. Sytuacja grożąca nieuchronnym ryzykiem poważnego obrażenia lub śmierci.  
2. Narażenie na potencjalne ryzyko incydentu lub zranienia.  
3. Ważna informacja na temat działania lub parametrów waszego produktu.  
4. Niekompatybilność sprzętowa.

### Identyfikacja i oznaczenia

a. Numer indywidualny - b. Rok produkcji - c. Miesiąc produkcji - d. Numer partii - e. Identyfikator - f. Przeczytać uważnie instrukcję obsługi - g. Identyfikacja modelu



本書では、製品の正しい使用方法を説明しています。技術や使用方法については、いくつかの例のみを掲載しています。製品の使用に関連する危険については、警告のマークが付いています。ただし、製品の使用に関連する危険の全てをここに網羅することはできません。最新の情報や、その他の補足情報等は Petzl.com で参照できますので、定期的に確認してください。警告および注意事項に留意し、製品を正しく使用する事は、ユーザーの責任です。本製品の誤った使用は危険を増加させます。疑問点や不明な点は(株)アルテリア (TEL 04-2968-3733) にご相談ください。

## 1.用途

NEST: アクセスが難しい状況でのレスキュー用ストレッチャーです (200 x 50 x 5 cm)。体重 150kg 以下、身長 1.50m ~ 1.90m の人用にデザインされています。

STEF: ストレッチャー NEST 用角度調整キットです。ストレッチャー NEST とのみ併用できます。

2020 年以前のストレッチャー NEST 用 STEF: 2020 年以前のストレッチャー NEST 用角度調整キットです。2020 年以前のストレッチャー NEST とのみ併用できます。

製品に表示された破断強度以上の荷重をかける使用や、本来の用途以外での使用は絶対に避けてください。

## 責任

### 警告

**この製品を使用する活動には危険が伴います。ユーザー各自が自身の行為、判断についてその責任を負うこととします。**

使用前に必ず:

- 取扱説明書をよく読み、理解してください
- この製品を正しく使用するための適切な指導を受けてください
- この製品の機能とその限界について理解してください
- この製品を使用する活動に伴う危険について理解してください

**これらの注意事項を無視または軽視すると、重度の傷害や死につながる場合があります。**

警告: 使用前に適切なトレーニングが必要です。トレーニングは、「用途」の欄に記載された使用用途に対応している必要があります。

この製品は使用方法を熟知して責任能力のある人、あるいはそれらの人から目の届く範囲で直接指導を受けられる人のみ使用してください。

ユーザー各自が自身の行為、判断、および安全の確保について責任を負い、またそれによって生じる結果についても責任を負うこととします。各自で責任がとれない場合や、その立場にない場合、また取扱説明書の内容を理解できない場合は、この製品を使用しないでください。

## 2.各部の名称

### NEST

(1) 頭部アタッチメントポイント、(2) 側部アタッチメントポイント、(3) STEF 用アタッチメントポイント、(4) 搬送用ハンドル、(5) 胸部ストラップ、(5 bis) 胸部ストラップ用 FAST LT PLUS バックル、(6) レッグループストラップ、(6 bis) レッグループストラップ用 FAST LT PLUS バックル、(7) 足掛け調節ストラップ、(8) ポジショニングストラップ、(9) 足掛け、(10) フラップ、(10 bis) フラップストラップ、(11) ヘッドカバー、(11 bis) ヘッドカバー調節ストラップ、(12) フットカバー、(13) 予備のアタッチメントポイント、(14) 縦フレームのスリーブ、(14 bis) 横フレームのスリーブ、(15) フォームパッド

### STEF

(16) 頭部のシングルストラップ、(17) SWIVEL、(18) Am'D、(19) 足側のダブルストラップ、(20) Sm'D、(21) リング、(22) CAPTIV、(23) STRING

### 主な素材

ストラップ: ポリエステル  
バックル: スチール、アルミニウム合金  
セーフティアタッチメントポイント: アルミニウム合金  
ターポリン: 熱可塑性ポリウレタン (TPU)

## 3.点検のポイント

器具の状態は、ユーザーの安全に大きく関係します。ベツルは、十分な知識を持つ適任者による詳細点検を、少なくとも 12 ヶ月ごとに行うことをお勧めします (国や地域における法規や、使用状態によっても変わります)。Petzl.com で説明されている方法に従って点検してください。点検の結果を記録してください。点検記録に含める内容: 種類、モデル、製造者の連絡先、個別番号、製造日、購入日、初回使用時の日付、次回点検予定日、問題点、コメント、点検者の名前および署名。

### 毎回、使用前に

ハーネスのストラップおよびアタッチメントポイントの状態を確認してください。FAST LT PLUS バックルが正常に機能することを確認してください。STRING および CAPTIV の状態、コネクターストラップが適切に取り付けられていることを確認してください。使用による切れ目や磨耗、熱や化学物質等による損傷がないことを確認してください。縫製部分が切れたりゆるんだりしていないことを特に注意して確認してください。各 PPE (個人保護用具) の点検方法の詳細についてはベツルのウェブサイト (Petzl.com) をご参照ください。疑問点は (株) アルテリア (TEL: 04-2968-3733) にご相談ください。

### 使用中の注意点

この製品および併用する器具 (連結している場合は連結部を含む) に常に注意を払い、状態を確認してください。全ての構成器具が正しくセットされていることを確認してください。

## 4.適合性

この製品がシステムの中のその他の器具と併用できることを確認してください (併用できる = 相互の機能を妨げない)。STEF (S059AA00) は、2020 年モデルの NEST (S061AA00) と併用可能ですが、2020 年以前の NEST (S61) とは併用できません。

## 5.STEF のストレッチャーへのセット

STEF のシングルストラップを NEST の頭部アタッチメントポイントに取り付け、ダブルストラップを NEST の STEF 用アタッチメントポイントに取り付けます。カラビナ Sm'D が上を向くように取り付けてください。ストラップがねじれないようにしてください。ストレッチャーは必ず頭部アタッチメントポイントまたは SWIVEL で吊り下げてください。

警告: 使用する製品に応じて、図を参照し正しいアタッチメントポイントを使用してください (2020 年以前または 2020 年以後の設定)。

## 6.要救助者の収納

1. ストレッチャーを安定した場所に置きます。フラップを開いて広げます。ボディアハーネスストラップをバックルから抜きます。足掛け調節ストラップをゆるめます。要救助者をストレッチャーの上に寝かせます。要救助者の身長に関係なく、肩がフォームパッドの最上層になるように寝かせます。要救助者は必ずヘルメットと保護めがねを着用する必要があります。
2. カラーコードに沿って、胸部ストラップおよびレッグストラップの FAST LT PLUS バックルをロックします。警告: 要救助者にストラップが、図説の通りに正しくセットしていることを確認してください。
3. ポジショニングストラップを締めます。足掛け調節ストラップの長さを調節して、足掛けのバックルを接続します。要救助者を安全に支えるように、痛みを与えることなくストラップがしっかりと締まっていることを確認してください。
4. ヘッドカバーおよびフットカバーを閉じ、フットカバーのバックルを閉めます。気温や水の有無等状況に応じて、フラップを閉じるか側部で折りたたんでください。フラップのストラップをしっかりと締めて下さい。要救助者の腕はストレッチャーの内側でも外側でも可能です。

医師の診断による要救助者の怪我の状態や救助の難易度等、状況によっては安全上重要な部分を適切に装着できない場合があります。

## 7.アタッチメントポイント

アタッチメントポイントの破断強度: 15 kN  
ストレッチャーを支点に接続できるのはこのポイントのみです。側部アタッチメントポイントを使用する場合は、2つのアタッチメントポイントを必ず一緒に使用してください。

## 8.ストレッチャーのハンドル

ストレッチャーのハンドルは 8 つの搬送用ハンドルおよび 8 つの予備のアタッチメントポイントで構成されています。ハンドルの破断強度: 4 kN  
予備のアタッチメントポイントの破断強度: 1 kN  
警告: これらのアタッチメントポイントでストレッチャーを支点に接続したり、要救助者を確保することはできません。

## 9.救助の設定

各救助設定は、以下の 2 つの設定に適用できます:  
- 2020 年以後のモデル: NEST のみ、または STEF との組み合わせ  
- 2020 年以前のモデル: 2020 年以前の NEST のみ、または 2020 年以前の NEST 用 STEF との組み合わせ  
上の各設定におけるストレッチャーへの STEF の取り付け方法については、図に従ってください。  
図を分かりやすくするため、本書ではストレッチャーを使用したレスキューにおける全ての技術及びその詳細を描いていません。ストレッチャーを使用する前に必ず適切なトレーニングを受けてください。  
警告: ストレッチャーを引き上げるのに搬送用ハンドルを使用しないでください。

### A. 垂直に吊る

頭部アタッチメントポイントで吊ります。狭い空間で有効です。要救助者が落石に当たる危険を抑えられます。快適性の高い体勢ではありません。

### B. 斜めに吊る

STEF の使用をお勧めします。快適性と搬送しやすさのバランスが良い方法です。

### C. 水平に吊る

STEF の使用をお勧めします。快適性の高い体勢ですが、搬送にスペースを必要とし、要救助者が落石に当たる危険も大きくなります。医師の指示により、この方法で搬送しなければならない場合もあります。

### D. チロリアンブリッジ

## 10.STEF を使用した救助

STEF を使用した各救助技術は、以下の 2 つの設定に適用できません:  
- 2020 年以後のモデル: NEST および STEF  
- 2020 年以前のモデル: 2020 年以前の NEST および 2020 年以前の NEST 用 STEF  
以下の各設定においてストレッチャーへの STEF の取り付け方法の図に従ってください。

### a. ストレッチャーを水平にする

このポジションで固定するには、Sm'D を SWIVEL にクリップしてください。

### b. 水平な状態から傾ける

独立した別のロープで確保をとった救助者が、ストレッチャーと向き合った作業します。救助者は Sm'D を外します。次にカラビナ足側のダブルストラップを手で持ち、ストレッチャーを傾けます。必要であれば足でストレッチャーを押して傾けます。警告: 頭側のシングルストラップを手で持たないでください。傾ける際にコントロールを失ったり、手をはさんでしまう危険があります。

### c. 傾いた状態から水平にする

救助者は STEF のリングに短いランヤードを接続します。支点として操作の補助に使用できます。救助者はランヤードが張っていることを確認する必要があります。  
- 上部の作業者がストレッチャーを下げます。自然に頭側が下がって水平に近づきます  
- 救助者は SWIVEL に Sm'D をクリップして水平になった状態に固定します。上部の作業者がストレッチャーを下げます。救助者がリングからランヤードを外します

## 11.持ち運び

ストレッチャーは専用のバッグ (S062AA00) に収納して運ぶことができます。車に積む際は、縦フレームおよび横フレームを抜いて巻くことができます。

## 12.補足情報

### 廃棄基準

警告: 極めて異様な状況においては、1 回の使用で損傷が生じ、その後使用不可能になる場合があります (劣悪な使用環境、海に近い環境での使用、鋭利な角との接触、極端な高/低温下での使用や保管、化学薬品との接触等)。  
以下のいずれかに該当する製品は以後使用しないでください:  
- プラスチック製品または繊維製品で、製造日から 10 年以上経過した  
- 大きな墜落を止めた、あるいは非常に大きな荷重がかかった  
- 点検において使用不可と判断された。製品の状態に疑問がある  
- 完全な使用履歴が分からない  
- 該当する規格や法律の変更、新しい技術の発達、または他の器具との併用に適さない等の理由で、使用には適さないと判断された  
このような製品は、以後使用されることを避けるため廃棄してください。

### アイコン:

**A. 耐用年数: 10 年 - B. マーキング - C. 使用温度 - D. 使用上の注意 - E. クリーニング / 消毒 - F. 乾燥 - G. 保管 / 持ち運び - H. 改造 / 修理 (パーツの交換を除き、ベツルの施設外での製品の改造および修理を禁じます) - I. 問い合わせ**

### 3 年保証

原材料および製造過程における全ての欠陥に対して適用されます。以下の場合は保証の対象外とします: 通常の磨耗や傷、酸化、改造や改変、不適切な保管方法、メンテナンスの不足、事故または過失による損傷、不適切または誤った使用方法による故障。

### 警告のマーク

1. 重傷または死につながるおそれがあります。2. 事故や怪我につながる危険性があります。3. 製品の機能や性能に関する重要な情報です。4. してはいけない内容です。

### トレーサビリティとマーキング

a. 個別番号 - b. 製造年 - c. 製造月 - d. ロット番号 - e. 個人識別番号 - f. 取扱説明書をよく読んでください - g. モデル名

Tyto pokyny vysvětlují, jak správně používat vaše vybavení. Popsány jsou pouze některé techniky a způsoby použití.

Variující symboly upozorňují na některá potenciální nebezpečí spojená s použitím vašeho vybavení, ale není možné uvést všechny případy. Navštivte Petzl.com a sledujte aktualizace a doplňkové informace.

Vaši odpovědnosti je věnovat pozornost každému upozornění a používat vaše vybavení správným způsobem. Nesprávné použití tohoto vybavení zvyší nebezpečí. Máte-li jakékoli pochybnosti nebo obtíže s porozuměním návodu, kontaktujte firmu Petzl.

## 1. Rozsah použití

NEST: nosítka (200 x 50 x 5 cm) pro záchranu v případě obtížného přístupu. Konstruovány pro hmotnost maximálně 150 kg a výšku postavy mezi 1,5 m a 1,9 m.

STEF: polohovací příslušenství pro nosítka NEST. Pro použití pouze s nosítky NEST. STEF pro nosítka NEST před rokem 2020; polohovací příslušenství pro nosítka NEST vyrobená před rokem 2020. Pro použití pouze s nosítky NEST vyrobenými před rokem 2020.

Zatížení těchto výrobků nesmí překročit uvedené hodnoty pevnosti; výrobky nesmí být používány jiným způsobem, než pro který jsou určeny.

## Zodpovědnost

### UPOZORNĚNÍ

**Činnosti zahrnující používání tohoto výrobku jsou z podstaty nebezpečné. Za své jednání a rozhodování zodpovídáte sami.**

Před používáním tohoto výrobku je nutné:

- Přečíst si a prostudovat celý návod k použití.
- Nacvičit správné používání výrobku.
- Seznámit se s možnostmi výrobku a s omezeními jeho použití.
- Pochopit a přijmout rizika spojená s jeho používáním.

**Opomenutí či porušení některého z těchto pravidel může vést k vážnému poranění nebo smrti.**

**UPOZORNĚNÍ:** před použitím je nezbytný nácvik používání. Tento nácvik musí být přizpůsoben technikám uvedeným v odstavci Rozsah použití.

Tento výrobek smí používat pouze odborně způsobilé a odpovědné osoby, nebo osoby pod přímým vedením a dohledem těchto osob.

Za své činy, rozhodnutí a bezpečnost zodpovídáte sami a stejně jste si vědomi možných následků. Jestliže nejste schopni, nebo nejste v pozici tuto zodpovědnost přijmout, nebo pokud nerozumíte jakékoli z těchto instrukcí, výrobek nepoužívejte.

## 2. Popis částí

### NEST

(1) Připojovací bod na straně hlavy, (2 bis) Postranní připojovací body, (3) Připojovací body pro STEF, (4) Transportní madla, (5) Popruhy tělovéhostroje, (5 bis) FAST LT PLUS přezky popruhů tělového stroje, (6) Nožní popruhy, (6 bis) FAST LT PLUS přezky nožních postrojů, (7) Nastavitelné popruhy opory chodidel, (8) Polohovací popruhy, (9) Opora chodidel, (10) Klopy, (10 bis) Zapínací popruhy klopy, (11) Kryt hlavy, (11 bis) Nastavovací popruh krytu hlavy, (12) Kryt chodidel, (13) Připojovací body pro příslušenství, (14) Rukáv pro transport ve vodorovné poloze, (14 bis) Rukáv pro transport v šikmé poloze, (15) Pěnová podložka.

### STEF

(16) Jednoduchý popruh na straně hlavy, (17) SWIVEL, (18) AmD, (19) Dvojitý popruh na straně chodidel, (20) SmD, (21) Kroužek, (22) CAPTIV, (23) STRING.

### Hlavní materiály

Popruhy: polyester.

Přezky: ocel, slitina hliníku.

Bezpečnostní připojovací bod: slitina hliníku.

Materiál plachty: termoplastický polyuretan (TPU).

## 3. Prohlídka, kontrolní body

Vaše bezpečnost závisí na neporušenosti vašeho vybavení.

Petzl doporučuje hloubkové revize odborně způsobilou osobou nejméně jedenkrát za 12 měsíců (v závislosti na aktuální legislativě ve vaší zemi, a na podmínkách použití). Postupujte dle kroků uvedených na Petzl.com. Výsledky revize zaznamenejte ve vašem formuláři pro revize OOP: typ, model, kontakt na výrobce, sériové nebo kusové číslo, datum: výroby, prodeje, prvního použití, další periodické revize; problémy, poznámky, jméno a podpis inspektora.

### Před každým použitím

Zkontrolujte stav popruhů stroje a připojovacích bodů.

Ujistěte se, že všechny přezky FAST LT PLUS správně fungují.

Zkontrolujte přítomnost a stav chráničů STRING a dělicích příček CAPTIV, a jejich správnou kompletaci s karabinami / popruhy.

Zaměřte se na tezy, opotřebení a poškození vzniklé používáním, vysokou teplotou či chemikáliemi, atd. Zvláštní pozornost věnujte přetrženým nebo vytaženým nitím.

Podrobnosti o periodických prohlídkách jednotlivých osobních ochranných pracovních prostředcích najdete na internetových stránkách Petzl.com.

V případě pochybnosti kontaktujte firmu Petzl.

### Během používání

Je důležité pravidelně kontrolovat stav výrobku a jeho spojení s ostatními prvky systému. Vždy se přesvědčte, jsou-li všechny součásti systému navzájem ve správné poloze.

## 4. Slučitelnost

Ověřte si slučitelnost tohoto výrobku s ostatními prvky vašeho systému při daném použití (slučitelnost = dobrá součinnost).

STEF (S059AA00) je kompatibilní s nosítky 2020 NEST (S061AA00), ale není kompatibilní s nosítky NEST před rokem 2020 NEST (S61).

## 5. Připojení STEF k nosítkům.

Jednoduchý popruh STEF se připojí do kotvícího bodu na straně hlavy, dvojitý popruh do postranních kotvících bodů pro polohovací příslušenství STEF na straně chodidel. Karabina SmD musí směřovat vzhůru. Popruhy nesmí být překrouceny. Vytahovat nosítka je možné pouze za závěs SWIVEL, nebo za kotvící bod na straně hlavy.

Upozornění: v závislosti na použitých produktech (sestava před rokem 2020 nebo po roce 2020), pozor na použití správných připojovacích bodů viz nákresy.

## 6. Uložení postiženého

1. Nosítka položte na stabilní povrch.

Otevřete klopy a rozložte je po stranách. Rozepněte přezky stroje. Uvolněte přezky popruhů opory chodidel.

Postiženého položte na nosítka. Ramena postiženého se umístí na horní část pěnové podložky bez ohledu na jeho nebo její výšku. Postižený musí mít na sobě přilbu a ochranu očí.

2. Zapněte přezky FAST LT PLUS na tělových a nožních popruzích, dodržujte barevné označení. Upozornění: dodržujte správné spojení popruhů na postiženém, jak je znázorněno v nákresu.

3. Dotáhněte polohovací popruhy.

Nastavte délku popruhů opory nohou a dotáhněte přezky opory nohou.

Zkontrolujte, jsou-li všechny popruhy dostatečně dotaženy tak, aby postiženého bezpečně držely, ale zároveň nevytvářely bolestivé tlakové body.

4. Přeložte krytí hlavy a chodidel a dotáhněte jejich přezky. Uzavřete klopy, nebo je pouze srolujte po stranách v závislosti na teplotě, přítomnosti vody ... Dotáhněte popruhy. Paže postiženého mohou být uvnitř, nebo vně nosítek.

Některé bezpečnostní prvky mohou nebo nemusí být na místě zajištěny, v závislosti na charakteru zranění postiženého jak je definoval ošetřující lékař, a na obtížnosti evakuace.

## 7. Připojovací body

Mez pevnosti připojovacích bodů je: 15 kN.

Pro připojení nosítek do kotvícího bodu použijte pouze tyto kotvící body.

Při použití postranních kotvících bodů vždy používejte oba protější body současně.

## 8. Manipulační body nosítek

Manipulační body se skládají z osmi transportních madel a osmi připojovacích bodů pro příslušenství.

Mez pevnosti madel: 4 kN.

Mez pevnosti připojovacích bodů pro příslušenství: 1 kN.

Upozornění: tyto body se nesmí používat pro připojení nosítek do kotvícího bodu, nebo k připojení osoby.

## 9. Konfigurace pro evakuaci

Každá konfigurace má dvě následující varianty:

- 2020: samotná nosítka NEST, nebo v kombinaci s příslušenstvím STEF.

- Před 2020: samotná nosítka NEST, nebo v kombinaci s příslušenstvím STEF pro nosítka NEST vyrobená před rokem 2020.

Pozor na dodržení nákresu pro instalaci příslušenství STEF na nosítka pro každou konfiguraci uvedenou výše.

Z důvodů srozumitelnosti nákresy nezobrazují všechny techniky používané při záchraně s nosítky. Než začnete nosítka používat, absolvujte školení na tyto techniky.

Upozornění: nosítka nevytahujte za transportní madla.

### A. Vertikální poloha

Evakuace se provádí za připojovací bod v místě hlavy. Používá se v úzkých otvorech. Snižuje nebezpečí pádu kamení na postiženého. Minimální pohodlí pro postiženého.

### B. Téměř vertikální poloha

Doporučujeme používat STEF. Dobrý kompromis mezi pohodlím a objemem.

### C. Horizontální poloha

Doporučujeme používat STEF. Pohodlí pro postiženého, ale větší objem a expozice postiženého padajícím kamení. Může být nařízena lékařem.

### D. Tyrolský traverz

## 10. Evakuace s příslušenstvím STEF

Každá technika evakuace s příslušenstvím STEF má následující varianty:

- 2020: NEST a STEF.

- Před 2020: NEST před rokem 2020 a STEF pro NEST před rokem 2020.

Pozor na dodržení nákresu pro instalaci příslušenství STEF na nosítka pro každou konfiguraci uvedenou výše.

### a. Nosítka v horizontální poloze

Pro zajištění této polohy karabinu SmD zapojte do závěsu SWIVEL.

### b. Změna horizontální polohy na nakloněnou

Záchranář je připojen na nezávislém laně obíhámejícím k nosítkům. Odpojí karabinu SmD. Rukama uchopí dvojitý popruh (strana chodidel) a nakloní nosítka, naklonění lze také provést zatlačeními nohama. Upozornění: nepokládejte ruce na popruh na straně hlavy: nevládnete regulovat sklon nosítek a hrozí zde nebezpečí jejich sevržení.

### c. Změna nakloněné polohy na vodorovnou

Záchranář připojí krátký spojovací prostředek do kroužku na příslušenství STEF, který poslouží jako pevný bod pro otáčecí manévry. Záchranář zkontroluje, že spojovací prostředek je napnutý.

- Operátor nosítek je spustí. Ty se sami nakloní.

- Záchranář zapne karabinu SmD do závěsu SWIVEL, aby zajistil horizontální polohu. Operátor nosítek je zvedne. Záchranář odpojí spojovací prostředek z kroužku.

## 11. Přeprava nosítek

Nosítka lze skladovat v transportním vaku (S062AA00). Při přepravě ve vozidle lze vyjmout podélné i příčné výtuhly a nosítka složit.

## 12. Doplnkové informace

### Kdy vaše vybavení vyřadí

UPOZORNĚNÍ: některé výjimečné situace mohou způsobit okamžitě vyřazení výrobku již po prvním použití, to závisí na druhu, intenzitě a prostředí ve kterém je výrobek používán (znečištěné prostředí, mořské prostředí, ostré hrany, vysoké teploty, chemikálie, atd.).

Výrobek musí být vyřazen pokud:

- Je starší než 10 let a vyroben z plastu nebo textílií.

- Byl vystaven těžkému pádu nebo velkému zatížení.

- Neprojde periodickou prohlídkou. Máte jakékoli pochybnosti o jeho spolehlivosti.

- Neznáte jeho úplnou historii používání.

- Se stane zastaralým vzhledem k legislativě, normám, technikám nebo slučitelnosti s ostatními vybavením, atd.

Takový produkt znehodnotte, abyste zamezili jeho dalšímu použití.

### Piktogramy:

**A. Životnost: 10 let** - **B. Označení** - **C. Povolené teploty** - **D. Bezpečnostní opatření** - **E. Čištění/dezinfekce** - **F. Sušení** - **G. Skladování/transport** - **H. Úpravy/opravy** (zakázány nímto provozovny Petzl, kromě výměny náhradních dílů) - **I. Dotazy/kontakt**

### 3 roky záruka

Na vady materiálu a vady vzniklé ve výrobě. Nevztahuje se na vady vzniklé:

běžným opotřebením a roztržením, oxidací, úpravami nebo opravami, nesprávným skladováním, nedostatečnou údržbou, nečistotami, nesprávným použitím.

### Varovné symboly

1. Situace představující bezprostřední riziko vážného poranění nebo smrti. 2.

Vystavení potenciálnímu riziku úrazu nebo poranění. 3. Důležitá informace týkající se fungování nebo chování vašeho výrobku. 4. Neslučitelnost vybavení.

### Sledovatelnost a značení

a. Výrobní číslo - b. Rok výroby - c. Měsíc výroby - d. Sériové číslo - e. Individuální kontrola - f. Pečlivě čtěte pokyny k používání - g. Identifikace typu

V teh navodilih je razloženo, kako pravilno uporabljati svojo opremo. Opisane so samo nekatere tehnike in načini uporabe.

Opozorilni simboli vas opozarjajo o nekaterih možnih nevarnostih, ki so povezane z uporabo vaše opreme, vendar je nemogoče opisati vse. Za posodobitve in dodatne informacije preverjajte Petzl.com.

Odgovorni ste za upoštevanje vsakega opozorila in pravilno uporabo vaše opreme. Kakršna koli napačna uporaba te opreme pomeni dodatne nevarnosti. Če imate kakršna koli dvom ali težave z razumevanjem teh navodil, se obrnite na Petzl.

## 1. Področja uporabe

NEST: nosila (200 x 50 x 5 cm) za reševanje v težko dostopnih lokacijah. Namenjena za težo največ 150 kg in višino med 1,50 in 1,90 m.

STEF: pripomoček za usmerjanje za NEST nosila. Za uporabo samo z NEST nosili. STEF za NEST nosila pred 2020: pripomoček za usmerjanje za NEST nosila pred 2020. Za uporabo samo z NEST nosili, izdelanimi pred 2020.

Teh izdelkov ne smete obremeniti preko dovoljene sile ali jih uporabljati za kakršen koli drug namen kot so predvideni.

## Odgovornost

### OPÓZORILO

**Aktivnosti, pri katerih uporabljate ta izdelek, so same po sebi nevarne. Sami ste odgovorni za svoja dejanja in odločitve.**

Pred uporabo tega izdelka morate:

- prebrati in razumeti navodila za uporabo v celoti;
- ustrezno se usposobiti za njegovo uporabo;
- spoznati se z možnostmi in omejitvami izdelka;
- razumeti in sprejeti z uporabo izdelka povezano tveganje.

**Neupoštevanje katerega koli od teh opozoril lahko povzroči resno poškodbo ali smrt.**

OPÓZORILO: pred uporabo je nujno usposabljanje. Usposabljanje mora ustrezati uporabam, ki so opisane v poglavju Področja uporabe.

Izdelek lahko uporabljajo le pristojne in odgovorne osebe ali tisti, ki so pod neposredno in vizualno kontrolo pristojne in odgovorne osebe. Odgovorni ste za svoja dejanja, odločitve in varnost in prevzimate njihove posledice. Če niste pripravljeni ali se ne čutite sposobne prevzeti odgovornosti ali ne razumete katerega od teh navodil, ne uporabljajte tega izdelka.

## 2. Poimenovanje delov

### NEST

(1) točka pritrditve pri glavi, (2) stranske točke za pritrditev, (3) STEF točke za pritrditev, (4) ročaj za prenašanje, (5) trakovi za telo, (5 bis) FAST LT PLUS sponke za trakove za telo, (6) trakovi za noge, (6 bis) FAST LT PLUS sponke za trakove za noge, (7) nastavljivi trakovi za oporo nog, (8) trakovi za pozicioniranje, (9) podpore za noge, (10) zavihek, (10 bis) trakovi za zapiranje zavihka, (11) pokrivalo za glavo, (11 bis) trak za nastavitve pokrivala za glavo, (12) pokrivalo za noge, (13) dodatne pritrdilne točke, (14) rovak za vzdolžno lego, (14 bis) rovak za prečno lego, (15) penasta podloga.

### STEF

(16) enojen trak za pritrditev pri glavi, (17) SWIVEL, (18) Am'D, (19) dvojni trakova za pritrditev pri nogah, (20) Am'D, (21) obroček, (22) CAPTIV, (23) STRING.

### Glavni materiali

Trakovi: poliester.  
Sponke: jeklo, aluminijeva zlitina.  
Varnostno navezovalno mesto: aluminijeva zlitina.  
Blago: termoplastičen poliuretan (TPU).

## 3. Preverjanje, točke preverjanja

Vaša varnost je povezana z neoporečnostjo vaše opreme.

Petzl priporoča podroben pregled, ki ga opravi pristojna oseba najmanj enkrat na vsakih 12 mesecev (odvisno od veljavnih predpisov v vaši državi in vaših pogojev uporabe). Sledite postopkom, ki so opisani na Petzl.com. Rezultate preverjanja vpišite v vaš obrazec pregleda OVO: tip, model, kontaktne informacije proizvajalca, serijsko ali individualno številko, datum izdelave, nakupa, prve uporabe, naslednjega periodičnega pregleda, težave, opombe, ime pregledovalca in podpis.

### Pred vsako uporabo

Preverite stanje trakov in pritrdilnih točk na pasu  
Preverite, da sponke FAST LT PLUS pravilno delujejo.  
Preverite prisotnost in stanje nastavkov STRING in CAPTIV in da so ustrezno povezani z vezniimi členi/trakovi.  
Bodite pozorni na zarez, obrabo in poškodbe izdelka, ki bi nastali zaradi uporabe, vročine, kemikalij... Še posebej morate biti pozorni na prerezane ali razrahljane šive. Podrobnosti o postopkih pregleda za vsak izdelek OVO lahko najdete na spletnem naslovu Petzl.com.

V primeru kakršnih koli dvomov kontaktirajte Petzl.

### Med uporabo

Pomembno je, da redno preverjate stanje izdelka in njegovo povezavo z drugo opremo v sistemu. Zagotovite, da so različni kosi opreme med seboj pravilno nameščeni.

## 4. Skladnost

Preverite skladnost tega izdelka z ostalimi elementi sistema, ki jih uporabljate (skladnost = dobro vzajemno delovanje).  
STEF (S059AA00) je skladen z 2020 NEST (S061AA00), vendar ni skladen s NEST pred 2020 (S61).

## 5. Namestitvev STEF trakov na nosila

STEF enojni trak je pritrjen na NEST navezovalno mesto pri glavi in dvojni trakovi so pritrjeni na STEF pritrdilne točke na nosilih NEST. Vponka Sm'D mora biti obrnjena navzgor. Trakovi ne smejo biti zaviti.

Nosila dvigujete samo preko pripomočka SWIVEL ali za točko za pritrditev pri glavi. Opozorilo: glede na uporabljene izdelke (pred letom 2020 ali po letu 2020) se prepričajte, da uporabite ustrezne pritrdilne točke - obrnite se na skico.

## 6. Namestitvev ponesrečenca

- Nosila položite na stabilno podlago. Odprite zavihka in ju zložite ob straneh. Odprite trakove pasu. Zrahljajte trakova za podporo nog.
- Ponesrečenca položite na nosila. Rame ponesrečenca morajo biti nameščene na vrhu penaste obloge, ne glede na njegovo višino. Ponesrečenec mora nositi čelado in zaščito za oči.
- Zaklenite FAST LT PLUS sponke na trakove za trup in noge, pri tem upoštevajte barvne oznake. Opozorilo: upoštevajte ustrezno obliko trakov na poškodovancu, kot je navedeno na risbah.
- Zategnite trakove za pozicioniranje. Prilagodite dolžino trakov za podporo nog in zapnite sponke za podporo nog. Prepričajte se, da so vsi trakovi dovolj zategnjeni, da varno držijo poškodovanca brez bolečin na mestih zategovanja.
- Namestite pokrivali za glavo in noge in zategnite sponke za pritrditev pokrival za glavo in noge. Namestite zavihka ali ju zložite ob straneh - odvisno od temperature, prisotnosti vode... Zategnite trakove zavihkov. Roke poškodovanca so lahko znotraj ali zunaj nosil.

Kateri od varnostnih elementov sme ali ne sme biti pritrjen na mestu, je odvisno od poškodb ponesrečenca, ki jih ugotovi zdravnik in zahtevnosti evakuacije.

## 7. Pritrditvene točke

Sila pretrga pritrditvene točke: 15 kN.

Za povezavo nosil s sidriščem uporabite le te točke.

Ko uporabljate stranske pritrdilne točke, ne pozabite vedno uporabiti obeh točk.

## 8. Točke za prenašanje nosil

Točke za prenašanje nosil so sestavljene iz osmih ročajev za nošenje in osmih dodatnih pritrditvenih točk.

Sila pretrga ročke: 4 kN.

Sila pretrga dodatne pritrditvene točke: 1 kN.

Opozorilo: teh točk ne smete uporabiti za pritrditev nosil na sidrišče ali za sidranje osebe.

## 9. Konfiguracija za reševanje

Vsaka od konfiguracij za reševanje se nanaša na naslednji dve varianti:

- od leta 2020: NEST samostojno ali v kombinaciji s trakovi STEF;
- pred 2020: NEST red 2020 samostojno ali v kombinaciji s trekovimi STEF za NEST pred 2020.

Ne pozabite slediti diagramu za namestitvev trakov STEF na nosila za vsako od zgornjih konfiguracij.

Zaradi jasnosti risbe ne prikazujejo vseh uporabljenih tehnik pri reševanju z nosili.

Usposobite se v teh tehnikah pred uporabo nosil.

Opozorilo: ne dvigujte nosil za ročaje.

### A. Navpičen položaj

Evakuacijo izvedete z uporabo točke za pritrditev pri glavi. Prilagojen za ozke prostore. Omejuje tveganje padanja kamenja za poškodovanca. Neudoben za poškodovanca.

### B. Skoraj navpičen položaj

Priporočamo uporabo STEF-a. Dober kompromis med udobjem/potrebnim prostorom.

### C. Vodoraven položaj

Priporočamo uporabo STEF-a. Udobno za poškodovanca, vendar je potrebna več prostora, poškodovanec je bolj izpostavljen padajočemu kamenju. Lahko ga odredi zdravnik.

### D. Prečna

## 10. Evakuacija s trakovi STEF

Vsaka od tehnik evakuacije s STEF velja za naslednji dve varianti:

- od 2020: NEST in STEF;
- pred 2020: NEST pred 2020 in STEF za NEST pred 2020.

Ne pozabite slediti diagramu za namestitvev trakov STEF na nosila za vsako od zgornjih konfiguracij.

### a. Nosila v vodoravnem položaju

Za utrditev tega položaja vrnite Sm'D v SWIVEL.

### b. Prestavitvev iz vodoravnega v pokončni položaj

Reševalec, ki je navezan na neodvisni vrvi, je obrnjen proti nosilom. Odpne vponko Sm'D. Svoji roki položi na dva trakova (pri nogah) in nagne nosila, po možnosti tako, da z nogami porine nanje. Opozorilo: ne prjemajte zgornjega dela pri glavi - morda ne boste mogli nadzorovati stopnje nagiba in obstaja nevarnost, da si priščipnete roke.

### c. Prehod iz nagnjenega v vodoravni položaj

Reševalec pritrdi svoj kratki podaljšek na obroč na trakovih STEF, ki bo služil kot fiksna točka za pomoč pri vodenju manevra. Reševalec poskrbi, da je trak napet. - Upravljalcev in protitež spuščata nosila. Ta se nato naravno nagnejo. - Reševalec vrne Sm'D v SWIVEL, da zavaruje vodoravni položaj. Upravljalcev in protitež dvigneta nosila. Reševalec odstrani trak iz obroča.

## 11. Transportiranje nosil

Nosila lahko shranjujete in prenašate v vreči (S062AA00). Za prevoz nosil v vozilu lahko odstranite vzdolžne in prečne letvice in noosila zložite.

## 12. Dodatne informacije

### Kdaj umakniti izdelek iz uporabe

POZOR: izjemen dogodek je lahko razlog, da morate izdelek umakniti iz uporabe po samo enkratni uporabi, odvisno od tipa in intenzivnosti uporabe in okolja uporabe (groba okolja, morsko okolje, ostri robovi, ekstremne temperature, kemikalije...).

Izdelek morate umakniti iz uporabe ko:

- je star več kot 10 let in je izdelan iz umetnih mas ali tekstila;
- je utrpel večji padec (ali preobremenitev);
- ni prestal preverjanja oz. imate kakršen koli dvom v njegovo zanesljivost;
- ne poznate njegove celotne zgodovine uporabe;
- ko je izdelek zastarel zaradi sprememb v zakonodaji, standardih, tehniki oz. neskladen z drugo opremo...

Da bi preprečili nadaljnjo uporabo, te izdelke uničite.

### Ikone:

**A. Življenjska doba: 10 let - B. Oznake - C. Sprejemljive temperature - D. Varnostna opozorila za uporabo - E. Čiščenje/razkuževanje - F. Sušenje - G. Shranjevanje/transport - H. Priedbe/popravila** (Izven Petzlovih delavnic so prepovedana. Izjema so rezervni deli.) - **I. Vprašanja/kontakt**

## 3-letna garancija

Za katere koli napake v materialu ali izdelavi. Izjeme: normalna obraba in izraba, oksidacija, predelave ali priredbe, neprimerno skladiščenje, slabo vzdrževanje, poškodbe nastale zaradi nepazljivosti ali pri uporabi, za katero izdelek ni namenjen oz. ni primeren.

## Opozorilni simboli

- Situacija, ki predstavlja neposredno nevarnost za resne poškodbe ali smrt.
- Izpostavljenost možnim tveganjem za nastanek neereče ali poškodbe.
- Pomembne informacije o delovanju ali zmogljivostih vašega izdelka. 4. Nezdružljivost opreme.

## Sledljivost in oznake

a. Serijska številka - b. Leto izdelave - c. Mesec izdelave - d. Številka serije - e. Individualna označba - f. Natančno preberite navodila za uporabo - g. Oznaka modela



Jelen használati utasításban arról olvashat, hogyan használja felszerelését. Nem mutatunk be minden használati módot és technikát. Az eszköz használatával kapcsolatos egyes veszélyekről az ábrák tájékoztatnak, de lehetetlen lenne valamennyi helytelen használati módot ismertetni. A termékek legújabb használati módzatairól és az ezzel kapcsolatos aktuális kiegészítő információkról tájékozódjon a Petzl.com internetes honlapon. Az új információkat tartalmazó értesítések elővasáráért, betáráráért és a felszerelés helyes használatáért mindenki maga felelős. Az eszköz helytelen használata további veszélyek forrása lehet. Ha jelen információk megértésével kapcsolatban kétsége vagy nehézsége támad, forduljon a Petzl-hez bizalommal.

## 1. Felhasználási terület

NEST: hordágy (200 x 50 x 5 cm) nehezen megközelíthető helyekről történő mentéshez. Legfeljebb 150 kg testsúlyú és 1,50 m - 1,90 m testmagasságú személyek számára.

STEF: a NEST hordágy kiegyensúlyozására. Kizárólag a NEST hordággal való használatra.

STEF 2020 előtti NEST-hez: kiegyensúlyozó eszköz a 2020 előtti NEST hordágyhoz. Kizárólag a 2020 előtti NEST hordággal való használatra. Ezen termékeket tilos a megadott szaktípuslárdáságánál nagyobb terhelésnek kitenni vagy más, a megadott felhasználási területeken kívüli célra használni.

## Felölösség

### FIGYELEM

**A termék használata közben végzett tevékenységek természetükből adódóan veszélyesek. Mindenki maga felel döntéseieért, tetteieért és azok következményeieért.**

A termék használata előtt okvetlenül szükséges, hogy a felhasználó:  
- Elolvassa és megértse a termékhez mellékelt valamennyi használati utasítást.  
- Arra jogosult személytől megfelelő oktatást kapjon.  
- Alaposan megismerje a terméket, annak előnyeit és korlátait.  
- Tudatában legyen a termék használatával kapcsolatos kockázatoknak, és elfogadja azokat.

**A fenti figyelmeztetések bármelyikének be nem tartása súlyos balesetet vagy halált okozhat.**

FIGYELEM, használat előtt megfelelő képzés szükséges. A képzés feleljen meg a termék felhasználási területének.

A terméket csakis képzett és hozzáértő személyek használhatják, vagy a felhasználóknak folyamatosan képzett és hozzáértő személyek felügyelete alatt.

Mindenki maga felelős a saját tevékenységéért, döntéseieért és biztonságáért és maga viseli a lehetséges következményeket. Ha Ön nincs abban a helyzetben, hogy ezt a felelősséget vállalja vagy ha nem értette meg tökéletesen jelen használati utasítást, kérjük, ne használja a terméket.

## 2. Részek megnevezése

### NEST

(1) Fejrész csatlakoztatási pontok, (2) Oldalsó csatlakoztatási pontok, (3) STEF csatlakoztatási pontjai, (4) Fogantyúk a szállításhoz, (5) Mellhevederzet hevederei, (5 bis) Mellhevederzet FAST LT PLUS csatjai, (6) Combrészek hevederei, (6 bis) Combrészek FAST LT PLUS csatjai, (7) Lábtartó állítóhevederek, (8) Rögzítőhevederek, (9) Lábtartó, (10) Ráhajtható oldalrészek, (10 bis) Ráhajtható oldalrészek rögzítőhevederei, (11) Kapucni, (11 bis) Kapucni állítóhevedere, (12) Lábtakaró, (13) Kiegészítők csatlakozási pontjai, (14) Hosszanti merevítőök bújatói, (14 bis) Keresztmerevítőök bújatói, (15) Párnázott matrac.

### STEF

(16) Egyszerű heveder a fej felőli oldalra, (17) SWIVEL, (18) Am'D, (19) Dupla hevederek a lábak felőli oldalra, (20) Sm'D, (21) Hevedergyűrű, (22) CAPTIV, (23) STRING.

### Alapanyagok

Hevederek: poliszter.

Csatok: acél, alumíniumötvözet.

Biztonsági bekötési pont: alumíniumötvözet.

Ponyva: termoplasztikus poliuretán (TPU).

## 3. Ellenőrzés, megvizsgálandó részek

Felszerelésének ép állapota az Ön biztonságának záloga.

A Petzl javasolja a felszerelések alapos felülvizsgálatát kompetens személy által, legalább 12 havonta (a használat országában hatályos jogszabályok és a használat körülményeinek függvényében). Tartsa be a Petzl.com honlapon ismertett használati módokat. A felülvizsgálat eredményét az EVE nyilvántartólapján kell rögzíteni: típus, modell, gyártó, egyedi azonosító vagy szériaszám, gyártás, vásárlás és első használatbavétel dátuma, következő esedékes felülvizsgálat időpontja, hibák, megjegyzések, az ellenőr neve és aláírása.

### Minden egyes használatbavétel előtt

Ellenőrizze a testhevederzet és a bekötési pontok állapotát.

Vizsgálja meg a FAST LT PLUS csatok működőképességét.

Ellenőrizze a STRING és CAPTIV megfétét és állapotát, valamint az összekötőelemekhez/hevederekhez való helyes csatlakoztatását.

Ügyeljen a kopásokra, az elhasználódás, magas hőmérséklet vagy kémiai anyagok által okozott elváltozásokra. Ügyeljen a szakadt vagy laza szálakra.

Az egyéni védőfelszerelések felülvizsgálatára vonatkozó további információkat lásd a Petzl.com honlapon.

Ha bármilyen kétsége merülne fel az eszköz használhatóságával kapcsolatban, kérjük, forduljon a Petzl-hez.

### A használat során

Az eszköz állapotát és csatlakoztatását a rendszer többi eleméhez rendszeresen ellenőrizni kell. Győződjön meg arról, hogy a használt eszközök egymáshoz képest jól helyezkednek el.

## 4. Kompatibilitás

Vizsgálja meg, hogy az eszköz kompatibilis-e a használt rendszer többi elemével (kompatibilitás = az eszközök jó együttműködése).

A STEF (S059AA00) kompatibilis a 2020 utáni NEST-tel (S061AA00), de nem kompatibilis a NEST előző, 2020 előtti modelljével (S61).

## 5. A STEF rögzítése a beülőhöz

A STEF egyszerű hevedere a NEST fejrészre felőli csatlakoztatási ponthoz, a STEF dupla hevederei pedig a NEST bekötési pontjaihoz csatlakoznak. Az Sm'D karabinert felülre kell akasztani. A hevederek ne legyenek megcsavarodva. A hordágy emelése kizárólag a SWIVEL-nél vagy a hordágy fej felőli bekötési pontjánál fogva történhet.

Figyelem: a használt terméktől (2020 előtti vagy 2020 utáni modell) függően ügyeljen az ábráknak megfelelő bekötési pontok használatára.

## 6. A sérült behelyezése a hordágyba

1. Helyezze a hordágyat stabil helyre.

Nyissa szét az oldalrészeket és terítse le őket a hordágy mellé. Húzza ki a hevedereket teljesen a testhevederzet csatjaiból. Lazítsa meg teljesen a lábtartó hevedereit.

Fektesse a sérültet a hordágyra. A párnázott matrac felső szélét igazítsa a sérült vállmagasságába. A sérült viseljen sisakot és arvédőt vagy védőszemüveget.

2. Zárja a mellheveder és a combrészek FAST LT PLUS csatjait a színeknek megfelelően. Figyelem: a sérültöt a hevedereket az ábráknak megfelelő módon vezesse.

3. Zárja a rögzítőhevedereket.

Állítsa be a lábtartó magasságát és csatolja be az állítóhevederek csatjait.

Ellenőrizze, hogy a sérültet tartó valamennyi heveder jól van beállítva (nem túl szoros és nem túl laza) és a csatok megfelelően zárnak.

4. Hajtsa fel a lábtakaró lapját és csatolja oda a rögzítőcsattal. Zárja az oldalrészeket a hőmérséklettől és a nedvességtől függő mértékben. Zárja az oldalrészek rögzítőlemezeit. A sérült karja a hordágyon kívülre vagy belülre is helyezhető.

Az orvos utasításának és a terepszponyóknak és a szállítás egyéb körülményeinek figyelembe vételével egyéb biztonsági elemek is használhatók.

## 7. Csatlakoztatási pontok

A csatlakozónyilások szaktípuslárdásága: 15 kN

A hordágyat kizárólag ezekkel a pontokkal szabad kikötési ponthoz rögzíteni.

Az oldalsó csatlakoztatási pontok használatánál mindig mindkét pontot együttesen kell használni.

## 8. A hordágy mozgatására szolgáló pontok

A hordágy mozgatására nyolc szállításra szolgáló fogantyú, valamint nyolc felszereléstárhoz fűl szolgál.

A fogantyúk szaktípuslárdásága: 4 kN

A felszereléstárhoz fűlek szaktípuslárdásága: 1 kN

Figyelem, ezek a pontok nem alkalmasak a hordágy kikötési ponthoz való rögzítésére, sem arra, hogy a mentő saját kantarját belejűk akassza.

## 9. Mentési konfigurációk

Valamennyi mentési konfigurációhoz a következő két összeállítás alkalmazható:

- 2020-tól: NEST magában vagy STEF-fel kiegészítve.

- 2020 előtti: 2020 előtti NEST magában vagy 2020 előtti NEST-hez készült STEF-fel.

A fenti konfigurációk mindegyikénél tartsa be a STEF csatlakoztatására vonatkozó ábrákat a hordágyon.

Az ábrák nem szemléltetik a hordággal való mentés technikáit. Ezeket a technikákat a hordágy használata előtt kell elsajátítani és begyakorolni. Figyelem: tilos a hordágyat a fogantyúval fogva hűzőrendszerre akasztani.

### A. Függőleges helyzetű hordágy

A mentéshez a fejrész felőli csatlakoztatási pontot kell használni. Szűk aknákhöz alkalmas módszer. Ebben a helyzetben kisebb a veszélye, hogy hulló kő találja el a sérültet. Ugyanakkor a sérült számára kevésbé kényelmes ez a testhelyzet.

### B. Csaknem függőleges helyzetű hordágy

Ajánljuk a STEF használatát. Jó kompromisszum a helykihasználás és a kényelem tekintetében.

### C. Vízszintes helyzetű hordágy

Ajánljuk a STEF használatát. Kényelmes a sérült számára, viszont nagy helyigényű szállítási mód, és a sérült jobban ki van téve a hulló köveknek. Az orvos előírhatja ezt a helyzetet.

### D. Tiroli pálya

## 10. Mentés STEF-fel

Valamennyi STEF-fel történő mentési technika a következő két összeállításban alkalmazható:

- 2020-tól: NEST és STEF.

- 2020 előtti: 2020 előtti NEST és 2020 előtti NEST-hez készült STEF.

A fenti konfigurációk mindegyikénél tartsa be a STEF csatlakoztatására vonatkozó ábrákat a hordágyon.

### a. Vízszintes helyzetű hordágy

Ezen pozíció biztosításához a Sm'D karabinert akassza a SWIVEL-be.

### b. Átbillentés vízszintesből ferde helyzetbe

A mentő egy független kötélen, a hordággal szemközt helyezkedik el. Kiakasztja az Sm'D karabinert, majd kezelt a két (láb felőli) hevederre helyezi és kezével húzva valamint esetleg lábaival tolva a hordágyat a megfelelő pozícióba billenti. Vigyázat, a kezelt soha ne helyezze a fej felőli hevederre, mert esetleg nem sikerül a billentést megállítani, és a keze is becsipódhet.

### c. Átbillentés ferdeből vízszintes helyzetbe

A mentő a rövid kantarászárát a STEF hevedergyűrűjébe akasztja: ő lesz a fix pont és ő kíséri a manővert. Ügyel arra, hogy a kantar mindig feszes legyen.

- A szabályozóként és ellensúlyként szolgáló személy leereszti a hordágyat. A hordágy magától a megfelelő pozícióba billen.

- A mentő beakasztja az Sm'D-t a SWIVEL-be, hogy lebiztosítsa a vízszintes pozíciót. A szabályozóként és ellensúlyként szolgáló személy felhúzza a hordágyat.

A mentő kiakasztja kantarját a hevedergyűrűből.

## 11. A hordágy szállítása

A hordágy a tárolótkoban (S062AA00) elhelyezhető. Járműben való szállításhoz a hosszanti és keresztmerevítőök kihúzhatók és a hordágy összehajtható.

## 12. Kiegészítő információk

### Leselejtkezés

FIGYELEM: adott esetben bizonyos körülményektől (a használat intenzitásától), a használat környezeti feltételeitől: maró vagy vegyi anyagok, tengervíz jelenlététől, éleken való felfekvéstől, extrém hőmérsékleti viszonyoktól stb.) függően a termék élettartama akár egyetlen használatra korlátozódhat.

A terméket le kell selejtezni, ha:

- Több, mint 10 éves és tartalmaz műanyag vagy textil alkatrészeket.

- Nagy esés vagy erőhatás érte.

- A termék felülvizsgálatának eredménye nem kielégítő. Ha a használat biztonságosságát illetően bármilyen kétely merül fel.

- Nem ismeri pontosan a termék előzetes használatának körülményeit.

- Használatra elavult (jogszabályok, szabványok, technikák változása vagy az újabb felszerelésekkel való kompatibilitás hiánya stb. miatt).

A leselejtézzett terméket semmisítse meg, hogy azt a későbbiekben se lehessen használni.

### Jelmagyarázat:

**A. Élettartam: 10 év - B. Jelölés - C. Használat hőmérséklete - D.**

**Övintézkedések - E. Tisztítás/ferdtőlentítés - F. Szárítás - G. Tárolás/szállítás**

**- H. Módosítások/javítások** (Petzl pótalkatrészek kivételével csak a gyártó szakszervezetben engedélyezett) **- I. Kérdések/kapcsolat**

### 3 év garancia

Minden gyártási vagy anyaghibára. A garancia nem vonatkozik a következőkre: normális elhasználódás, módosítások vagy háziálagos javítások, helytelen tárolás, hanyagság, nem rendeltetésszerű használat.

### Veszélyt jelző piktogrammok

1. Súlyos vagy halálos sérülés kockázatával járó, veszélyes szituáció. 2. Váratlan esemény vagy sérülés valós veszélye. 3. Fontos információ a termék működéséről vagy használatáról. 4. Nem kompatibilis felszerelés.

### Nyomon követhetőség és jelölés

a. Egyedi azonosítószám - b. Gyártás éve - c. Gyártás hónapja - d. Tételszám - e. Egyedi azonosító kód - f. Olvassa el figyelmesen ezt a tájékoztatót - g. Modell azonosítója



Эта инструкция показывает, как правильно использовать ваше снаряжение. Данная инструкция по эксплуатации представляет только некоторые правильные способы и техники использования вашего снаряжения. Предупредительные знаки информируют вас только о некоторых потенциальных рисках, связанных с использованием данного снаряжения. Инструкция не описывает все возможные риски. Регулярно проверяйте сайт Petzl.com, там вы найдете последние версии вашего документа и дополнительную информацию. Лично вы несете ответственность за соблюдение всех мер предосторожности и за правильное использование своего снаряжения. Неправильное использование данного снаряжения может привести к возникновению дополнительных рисков. В случае возникновения каких-либо сомнений или трудностей обращайтесь в компанию Petzl.

## 1. Область применения

NEST: Спасаельные носилки (200х50х5 см) для транспортировки пострадавшего в сложных условиях. Разработаны для транспортировки пострадавшего весом максимум 150 кг и ростом от 1,50 м до 1,90 м. STEF: отклоняющее устройство для носилок NEST. Для использования исключительно с носилками NEST. STEF для носилок NEST, выпущенных до 2020 года: отклоняющее устройство для носилок NEST, выпущенных до 2020 года. Для использования исключительно с носилками NEST, выпущенными до 2020 года. Данные изделия не должны подвергаться нагрузке, превышающей их номинальные значения прочности, и должны использоваться строго по назначению.

## Ответственность

### ВНИМАНИЕ

**Деятельность, связанная с использованием данного снаряжения, опасна по своей природе.**

**Лично вы несете ответственность за свои действия и решения.**

Перед использованием данного снаряжения вы должны:

- Прочитать и понять все инструкции по эксплуатации.
- Пройти специальную подготовку по применению данного снаряжения.
- Ознакомиться с потенциальными возможностями вашего снаряжения и ограничениями по его применению.
- Осознать и принять возможные риски, связанные с использованием этого снаряжения.

**Игнорирование любого из этих предупреждений может привести к серьезным травмам и даже к смерти.**

**ВНИМАНИЕ:** перед началом работы необходимо пройти обучение. Данное обучение должно соответствовать видам деятельности, заданным областью применения изделия.

Это изделие может использоваться только лицами, прошедшими специальную подготовку, или под непосредственным контролем компетентного лица. Лично вы несете ответственность за свои действия, решения и безопасность, и только вы отвечаете за последствия этих действий. Если вы неспособны взять на себя ответственность за использование данного снаряжения или если вы не поняли инструкции по эксплуатации, не используйте данное снаряжение.

## 2. Составные части

### NEST

(1) Верхняя точка крепления (со стороны головы пострадавшего), (2) Боковые точки крепления, (3) Точки крепления для STEF, (4) Ручки для переноски, (5) Ремни грудной обвязки, (5 bis) Пяжки FAST LT PLUS грудной обвязки, (6) Ножные ремни, (6 bis) Пяжки FAST LT PLUS на ножных ремнях, (7) Регулируемые ремни поддержки ног, (8) Стропы для позиционирования, (9) Поддержка для ног, (10) Накладка для тела, (10 bis) Ремни для накладки, (11) Капюшон, (11 bis) Ремни для регулировки капюшона, (12) Капюшон для ног, (13) Точки для прикрепления аксессуаров, (14) Продольные ребра жесткости, (14 bis) Поперечные ребра жесткости, (15) Подкладка из пеноматериала.

### STEF

(16) Одинарная стропа (со стороны головы пострадавшего), (17) SWIVEL, (18) Am'D, (19) Двойные стропы (со стороны ног пострадавшего), (20) Sm'D, (21) Кольцо, (22) CAPTIV, (23) STRING.

### Основные материалы

Стропы: полиэстер.

Пяжки: сталь, алюминиевый сплав.

Точка крепления для обеспечения безопасности: алюминиевый сплав.

Ткань с покрытием: термопластичный полиуретан (TPU).

## 3. Осмотр изделия

Ваша безопасность напрямую связана с состоянием вашего снаряжения. Petzl рекомендует проводить плановый осмотр снаряжения компетентным лицом как минимум каждые 12 месяцев (в зависимости от местного законодательства в вашей стране, а также от условий использования снаряжения). При плановом осмотре следуйте рекомендациям на сайте Petzl.com. Результаты планового осмотра заносятся в инспекционную форму вашего СИЗ, в которой должна содержаться следующая информация: тип снаряжения, модель, контактная информация производителя, серийный или индивидуальный номер, дата изготовления, дата покупки, дата первого использования, дата следующего планового осмотра, дефекты, применения, имя и подпись инспектора.

### Перед каждым использованием

Проверьте состояние строп, привязи и точек крепления.

Убедитесь в правильности работы пяжек FAST LT PLUS.

Проверьте наличие и состояние STRING и CAPTIV, а также убедитесь в

правильности их присоединения к карабинам и/или стропам.

Убедитесь в отсутствии порезов, следов износа, воздействия высоких температур или химикатов и т.п. Убедитесь в отсутствии порезанных или поврежденных нитей.

Детали процедуры проверки каждого отдельного СИЗ можно узнать на сайте Petzl.com.

В случае возникновения любых сомнений свяжитесь с Petzl.

### Во время использования

Важно регулярно проверять состояние снаряжения и его присоединение к другим элементам системы. Убедитесь, что все элементы снаряжения правильно расположены друг относительно друга.

## 4. Совместимость

Проверьте совместимость этого снаряжения с другими элементами системы в контексте вашей задачи (совместимость означает хорошее, эффективное взаимодействие).

STEF (S059AA00) совместимо с носилками NEST моделей, начиная с 2020 года выпуска (S061AA00), но не совместимо с NEST моделей, выпущенных до 2020 года (S61).

## 5. Установка STEF на носилки

Одинарная стропа STEF присоединяется к верхней точке крепления носилок NEST, а двойные стропы – к точкам крепления для STEF на носилках NEST. Карабин Sm'D должен быть расположен вертикально; так, чтобы его защелка находилась сверху. Не допускайте перекручивания строп.

Перемещение носилок осуществляется только за вертлюг SWIVEL или за верхнюю точку крепления носилок.

Внимание: для правильного использования точек крепления смотрите рисунки. Использование точек крепления различно в зависимости от используемой модели носилок (выпущенной до 2020 года или после 2020 года).

## 6. Размещение пострадавшего

1. Установите носилки на ровную поверхность.

Отогните и сверните края накладки по бокам. Вытащите ремни из пяжек

полной привязи. Ослабьте ремни для поддержки ног.

Положите пострадавшего на носилки. Верхняя часть вставки из пеноматериала укладывается на то место, где должны находиться плечи пострадавшего – независимо от его роста. Пострадавший должен быть в каске и защитных очках на глазах.

2. Заблокируйте пяжки FAST LT PLUS грудной обвязки и ножных ремней в соответствии с цветовой маркировкой. Внимание: правильно расположите стропы на пострадавшем – так, как показано на рисунках.

3. Затяните ремни для позиционирования.

Отрегулируйте длину ремней для поддержки ног и затяните пяжки.

Для обеспечения хорошего удержания пострадавшего следите за тем, чтобы все ремни были достаточно затянуты и при этом не оказывали болезненного давления.

4. Наклейте капюшоны для головы и для ног и закройте пяжки капюшона для ног. В зависимости от температуры окружающей среды и от наличия или отсутствия влаги используйте накидку для тела или сверните ее край по бокам. Хорошо затяните ремни накладки для тела. Ручки пострадавшего могут быть убраны под накидку или оставлены снаружи.

В зависимости от характера травм, установленных врачом, и трудностей, которые нужно будет преодолеть при транспортировке, могут использоваться или не использоваться различные элементы системы фиксации пострадавшего.

## 7. Точки крепления

Прочность на разрыв точек крепления: 15 кН.

Только эти точки крепления позволяют присоединить носилки к точкам анкерного крепления.

При использовании боковых точек крепления всегда используйте обе точки.

## 8. Точки для направления носилок

Точки для направления носилок включают восемь ручек для переноски и восемь точек для прикрепления аксессуаров.

Прочность на разрыв ручек для переноски: 4 кН.

Прочность на разрыв точек для прикрепления аксессуаров: 1 кН. Внимание: эти точки не позволяют присоединять носилки к точкам анкерного крепления; спасатель не может пристегиваться к ним.

## 9. Способы эвакуации

Каждый из способов эвакуации применим к двум конфигурациям:

- Начиная с 2020 года: NEST используются отдельно или совместно со STEF.

- До 2020 года: NEST, выпущенные до 2020 года, используются отдельно или совместно со STEF для носилок NEST, выпущенных до 2020 года.

Следуйте указаниям на рисунках, относящихся к установке STEF на носилки, для каждой указанной выше конфигурации.

Рисунки показывают лишь часть возможных вариантов использования носилок для транспортировки пострадавшего при спасательных работах.

Перед использованием носилок необходимо пройти обучение.

Внимание: не используйте ручки, предназначенные для переноски носилок, при подъеме по вертикали.

### A. Вертикальная транспортировка носилок

Транспортировка осуществляется с помощью верхней точки крепления. Подходит для узких проходов. Позволяет уменьшить риск падения камней на пострадавшего. Минимальный комфорт для пострадавшего.

### B. Полувертикальная транспортировка носилок

Мы рекомендуем использовать STEF. Хорошее соотношение комфорта и габаритного объема.

### C. Горизонтальная транспортировка носилок

Мы рекомендуем использовать STEF. Данное положение носилок наиболее удобно для пострадавшего, но требует много свободного пространства, а также увеличивает риск падения камней на пострадавшего. Данное положение транспортировки может быть предписано врачом.

### D. Навесная переправа

## 10. Эвакуация пострадавшего с использованием STEF

Все техники эвакуации с использованием STEF применимы к двум конфигурациям:

- Начиная с 2020 года: NEST и STEF.

- До 2020 года: NEST, выпущенные до 2020 года, и STEF для носилок NEST, выпущенных до 2020 года.

Следуйте указаниям на рисунках, относящихся к установке STEF на носилки, для каждой указанной выше конфигурации.

### a. Носилки в горизонтальном положении

Для фиксации положения вщелкните карабин Sm'D в вертлюг SWIVEL.

### b. Изменение положения носилок с горизонтального на полувертикальное

Спасатель должен располагаться лицом к носилкам и быть присоединенным к независимому страховочному канату. Спасатель отсоединяет карабин Sm'D. Взявшись руками за обе стропы (со стороны ног пострадавшего), он наклоняет носилки, при необходимости помогая себе ногами. Внимание: не беритесь руками за одинарную стропу со стороны головы: может произойти потеря контроля над углом наклона носилок и возникнуть риск зажатия рук.

### c. Изменения положения носилок из полувертикального на горизонтальное

Спасатель присоединяет к кольцу STEF свой короткий строп, играющий роль фиксированной точки крепления и направляет последующие действия.

Спасатель должен следить за тем, чтобы его строп был натянут.

- Спасатели отпускают носилки. Носилки занимают горизонтальное положение.

- Спасатель вщелкивает Sm'D в SWIVEL для фиксации горизонтального положения. Спасатели поднимают носилки. Спасатель отсоединяет свой строп от присоединительного кольца.

## 11. Перевозка носилок

Носилки можно хранить в специальной сумке для носилок (S062AA00). Для перевозки носилок в машине можно снять продольные и поперечные ребра жесткости и сложить носилки.

## 12. Дополнительная информация

### Выборка снаряжения

**ВНИМАНИЕ:** особые обстоятельства могут вызвать уменьшение срока службы изделия, вплоть до однократного применения; например: способ и интенсивность использования, воздействие окружающей среды, воздействие морской среды, работа с агрессивными химикатами, экстремальные температуры, контакт с острыми гранями и т.д. Немедленно выбраковывайте любое снаряжение, если:

- Ему больше 10 лет и оно изготовлено из пластика или текстиля.
- Оно подвергалось падению, сильному рывку или большой нагрузке.
- Оно не удовлетворило требованиям при осмотре. У вас есть сомнения в его надежности.
- Вы не знаете полную историю его эксплуатации.

- Когда оно устарело и более не соответствует новым стандартам, законам, технике или несоместимо с другим снаряжением и т.д. Чтобы избежать дальнейшего использования выбракованного снаряжения, его следует уничтожить.

**Рисунки:**

**A. Срок службы:** 10 лет - В. Маркировка - С. Допустимый температурный режим - D. Меры предосторожности - E. Чистка/дезинфекция - F. Сушка - G. Хранение/транспортировка - H. Модификация/ремонт (запрещены вне мастерских Petzl, за исключением заменяемых частей) - I. Вопросы/контакты

### Гарантия 3 года

От любых дефектов материала и производственных дефектов. Гарантия не распространяется на следующие случаи: нормальный износ, окисление, изменение конструкции или переделка изделия, неправильное хранение и плохой уход, повреждения, вызванные небрежным отношением к изделию, а также использование изделия не по назначению.

### Предупредительные знаки

1. Ситуация, представляющая неизбежный риск получения серьезных травм или ведущая к смерти. 2. Ситуация, представляющая риск возникновения несчастного случая или получения травмы. 3. Важная информация о работе или о характеристиках вашего снаряжения. 4. Техническая несовместимость.

### Прслеживаемость и маркировка продукции

a. Индивидуальный номер - b. Год изготовления - c. Месяц изготовления - d. Номер партии - e. Индивидуальный номер изделия - f. Внимательно читайте инструкцию по эксплуатации - g. Идентификация модели

这份说明书将向您解释如何正确使用您的装备。这里只有部分技术和使用方法。

警示标志将告知您使用该装备时的某些潜在危险，但不可能全部描述。请登录Petzl.com查阅更新和附加信息。

您有责任阅读每一条警示且正确使用您的装备。任何错误的使用都将造成额外危险。如果您有任何疑问或对于理解这些文件有困难的话，请联系Petzl。

## 1.应用范围

NEST:担架(200 x 50 x 5 cm)用于难以进入地区救援。设计用于体重大于150公斤，使用者身高在1.5米至1.9米之间。

STEF:NEST担架角度调节器。仅用于NEST担架。

STEF用于2020年前的NEST担架；2020年前的NEST担架角度调节器仅用于2020年前的NEST担架。

该产品不能负荷超出它可负载的重量，或用于其他不是原本设计的用途。

### 责任

#### 警告

凡涉及使用此装备的活动都具有一定危险性。

您应对个人的行动、决定负责。

在使用此装备前，您必须：

- 阅读并理解全部使用指南。
- 针对其正确使用方法，进行特定训练。
- 熟悉您的装备，了解其性能及使用限制。
- 理解并接受所涉及到的危险。

一旦忽视上述任何一条警告，将有可能造成严重伤害甚至死亡。

警告：在使用前必须受过专门的训练。必须在应用范围内对该产品进行实践操作培训。

该产品必须由有能力、且负责的人来使用，或在有能力且负责任的人直接目视监督下使用。

您应对个人的行动、决定和安全负责并承担后果。如果您无法承担相关责任或无法完全理解本使用说明，那么不要使用此装备。

## 2.部件名称

### NEST

(1) 头部连接点, (2) 两侧连接点, (3) STEF连接点, (4) 搬用把手, (5) 上身扁带, (5bis) 上身FAST LT PLUS卡扣, (6) 腿环, (6bis) FAST LT PLUS腿部卡扣, (7) 脚底支撑调整扁带, (8) 定位扁带, (9) 脚底支撑, (10) 包裹单, (10 bis) 包裹单关闭扁带, (11) 头罩, (11bis) 头罩调节扁带, (12) 脚罩, (13) 配件连接点, (14) 纵向支撑支架, (14 bis) 横向支撑支架, (15) 泡沫板。

### STEF

(16) 头部单扁带, (17) 万向节, (18) Am' D, (19) 尾部双扁带, (20) Sm' D, (21) 悬吊环, (22) CAPTIV, (23) STRING。

### 主要材料

- 织带：聚酯纤维。
- 卡扣：钢、铝合金。
- 安全连接点：铝合金。
- 罩：热塑聚氨酯橡胶(TPU)

## 3.检测、检查要点

您的安全和您装备的状态密切相关。

Petzl建议至少每12个月请专业人员进行全面检测（根据每个国家现行法规以及具体使用情况）。请根据Petzl.com网站上描述的操作方式进行检查。在您的PPE检查表格中记录：类型、型号、生产商信息、序列号或独立编码、生产、购买、第一次使用和下一次检查日期、问题、评论、检查者姓名和签名。

### 每次使用前

检查固定带和连接点状况。

检查FAST LT PLUS扣是否操作正常。

检查所有STRING和CAPTIV是否到位及其状况，以及是否与锁扣/扁带正确连接。

检查是否存在因使用、暴露于高温和与化学品接触过而导致的割痕、磨损和损坏等状况。仔细检查是否存在断线或脱线的地方。

登录Petzl.com查看各类PPE详细检测步骤。

如果您有任何疑问，请联系Petzl。

### 每次使用时

经常检查产品状况及其与系统内其他设备的连接状况，是至关重要的。确保系统内所有设备均互相正确连接。

## 4.兼容性

验证该产品在操作时与其他组件的兼容性（兼容性=良好的功能互动）。

STEF(S059AA00)与从2020年(S061AA00)开始的NEST型号相兼容，但与2020年前(S61)的旧型号不兼容。

## 5.将STEF安装到担架上

单扁带连接在NEST的头部挂点上，双扁带连接在NEST上STEF的连接点上。Sm' D快挂必须朝上设置。扁带不能发生缠绕。

担架提拉只能通过SWIVEL万向节或头部挂点。

警告：根据所使用的不同产品（2020年前或2020年后的配置），请参考图示选用正确的连接点。

## 6.安置伤员。

1.将担架放在稳固的地面上。

打开所有包裹单，使其处于两侧。将安全带扁带完全打开。放松脚部支撑带。

将伤员放到担架上。泡沫垫顶端与伤员肩同高，忽略其身高。伤员必须戴头盔和护目镜。

2.关闭上身扁带和腿环的FAST LT PLUS卡扣时须遵循色区分。警告：请按照图示在伤员身上正确安装扁带。

3.收紧固定扁带。

调整脚部支撑扁带长度并收紧脚部支撑卡扣。

确认所有扁带均系紧以固定伤员，并且没有产生难受的压力点。

4.合上头罩和脚罩，收紧脚部支撑卡扣。根据温度、是否有水等情况，将包裹单合上，或将其在某侧折叠。将包裹单扁带系紧。伤员双臂可在包裹单内或外。

部分安全固定可能会在某些情况对伤员造成伤害，这取决于伤员的伤势及疏散的困难程度。

## 7.连接点

连接点断裂负荷：15 kN。

只有这些连接点可将担架连接到一个锚点。

使用侧面连接点时，请确认同时使用那两个连接点。

## 8.担架操作点

担架操作点由8个搬用把手和8个附件挂点组成。

把手断裂负荷：4 kN。

附件挂点断裂负荷：1 kN。

警告:这些挂点不能用于将担架挂到一个锚点上，也不允许救援人员将其作为锚点。

## 9.疏散操作

每个疏散操作都可用于以下两个操作：

- 2020年起：仅仅NEST或与STEF连接。
- 2020年前：仅仅2020年前的NEST或与2020年前的NEST担架的STEF连接。

以上的每个操作都须将STEF按照正确步骤将其安装到担架上。

为了更清晰的表达，图示中并没有展示所有担架救援中用到的技术。在使用担架前须进行技术训练。

警告：不要用提手悬吊担架。

### A. 担架垂直吊运

使用头部连接点疏散。用于狭窄开口救援。减少石块落到伤员身上的风险。伤员的舒适度最低。

### B. 大角度担架吊运

我们强烈建议使用STEF。提供较好的舒适和通过面积比。

### C. 水平担架吊运

我们强烈建议使用STEF。伤员很舒服，但担架笨重且伤员更可能被落石击中。要根据医生的建议。

### D. 横渡运输

## 10.使用STEF疏散

每个使用STEF的疏散技术都可用于以下两个操作：

- 2020年起：NEST和STEF。
- 2020年前：2020年前的NEST和STEF用于2020年前的NEST担架。

以上的每个操作都须将STEF按照正确步骤将其安装到担架上。

### a. 担架位于水平位置

为保持这个位置，将Sm' D扣入SWIVEL万向节

### b. 将水平位置改为倾斜位置

在另一根绳索上的救援者面向担架。救援人员取下Sm' D锁扣。双手握住尾部两根扁带，使担架倾斜，脚可以同时辅助完成这一动作。警告：不要用手握住头部挂点：你可能无法控制倾斜角度，同时有夹伤手的危险。

### c. 将大角度倾斜位置改为水平位置

救援人员将短挽索安装到STEF的悬挂环上，作为固定点，并引导操作。救援人员应将挽索拉紧。

- 控制人员或配重将担架下放。使其自然水平。

- 救援人员将Sm' D扣入SWIVEL以保证水平位置。控制人员或配重提高担架。救援人员将挽索从悬挂环取出。

## 11.运输担架

担架可在携带箱中储存(S062AA00)。将担架放入车中运输时，可将横向和纵向支撑支架取出，并折叠。

## 12.附加信息

### 何时需要淘汰您的装备

警告：一次意外事故可能导致产品在首次使用后即被淘汰，这取决于使用方式及强度、使用环境（严酷的环境、海洋环境、尖锐边缘、极限温度、化学产品等）。

何时需要淘汰您的装备：

- 塑料或纺织产品自生产之日起已超过10年。
- 经历过严重冲击或负荷。
- 无法通过产品检测。您对其安全性产生怀疑。
- 您不清楚产品的全部使用历史。
- 因为法律、标准、技术或与其它装备不兼容等问题而不得不淘汰。

销毁这些产品以防将来误用。

### 图标：

A.寿命：10年 - B.标示 - C.使用温度范围 - D.使用注意 - E.清洁/消毒 - F.干燥 - G.存放/运输 - H.改装/修理（不能在Petzl以外的地方修理，除了更换零件） - I.问题/联络

### 3年质保

针对材料或生产上的缺陷。例外：正常的磨损、氧化、自行改装或改良、不正确存放、欠佳的保养、使用疏忽或用于非该产品设计之用途。

### 警告标志

1.表示有即刻产生严重伤害或死亡风险的情况。2.表示有潜在的意外或伤害风险。3.表示产品在功能或性能方面的重要信息。4.表示装备的不兼容性。

### 可追溯性及标示

a.序列号 - b.生产年份 - c.生产月份 - d.序列号 - e.独立身份识别号 - f.仔细阅读说明书 - g.型号识别

В тази листовка е обяснено как правилно да използвате средството. Представени са само някои методи и начини на употреба. Предупредителни надписи ви информират за потенциални рискове, свързани с употребата на средствата, но не е възможно да бъдат описани всички. Следете редовно актуализацията и допълнителната информация на страницата Petzl.com.

Вие носите отговорност за спазването на всяко предупреждение и за правилното използване на средствата. Всяко неправилно действие при използване на средството ще доведе до допълнителен риск. Свържете се с Petzl, ако имате съмнения или затруднения да разберете нещо.

## 1. Предназначение

NEST : носилка (200 x 50 x 5 cm) за спасяване в ситуации с труден достъп. Предназначена за хора с тегло до 150 kg и ръст между 1,50 m и 1,90 m. STEF : средство за регулиране наклона на носилка NEST. Да се използва само с носилка NEST. STEF за носилка NEST преди 2020 г.: средство за регулиране наклона на NEST версия преди 2020 г. Да се използва само с носилка NEST версия преди 2020 г. Тези продукти не трябва да бъдат използвани извън техните възможности или в ситуация, за която не са предназначени.

## Отговорност

### ВНИМАНИЕ

**Дейността, изискващи употребата на това средство, по принцип са опасни.**

**Вие сте отговорни за вашите действия и решения.**

Преди да започнете да използвате това средство, трябва:

- Да прочетете и разберете всички инструкции за употреба.
- Да научите специфичните за средството начини на употреба.
- Да се усъвършенствате в работа със средството, да познавате качествата и възможностите му.
- Да разберете и осъзнаете съществуващия риск.

**Неспазването дори на едно от тези предупреждения може да доведе до тежки, дори смъртоносни травми.**

**ВНИМАНИЕ:** преди да използвате продукта, трябва задължително да преминете обучение. Обучението трябва да бъде съобразено с дейностите, за които е предназначен продуктът.

Този продукт трябва да се използва или от компетентни и добре осведомени лица, или работещият с него трябва да бъде под непосредствен зрителен контрол на такова лице.

Вие носите отговорност за вашите действия, решения и за вашата безопасност и вие ще поемете последиците. Ако не сте в състояние да поемете тази отговорност или не сте разбрали добре указанията за употреба, не използвайте това средство.

## 2. Номерация на елементите

### NEST

(1) Точка на окачване откъм главата, (2) Странични точки на окачване, (3) Точки за закачане на STEF, (4) Дръжки за носене, (5) Ленти за обезопасяване на тялото, (5 bis) Катарам FAST LT PLUS на осигурителните ленти, (6) Лента за бедрата, (6 bis) Катарам FAST LT PLUS на лентите за бедрата, (7) Ленти за регулиране на опората за краката, (8) Ленти за закрепване, (9) Опора за краката, (10) Покривало, (10 bis) Ленти за затваряне на покривалото, (11) Качулка за главата, (11 bis) Ленти за регулиране на качулката,(12) Калъф за краката, (13) Точки за закачане на аксесоари, (14) Надлъжни лайсни, (14 bis) Напречни лайсни, (15) Матрак от пяна.

### STEF

(16) Единична лента откъм главата, (17) SWIVEL, (18) Am'D, (19) Двойни ленти откъм краката, (20) Sm'D, (21) Халка, (22) CAPTIV, (23) STRING.

### Основни материали

Ленти: полиестер.

Катарам: стомана, алуминиева сплав.

Обезопасителна точка на окачване: алуминиева сплав.

Платнище: термoplastичен полиуретан (TPU).

## 3. Контрол, начин на проверка

Вашата безопасност зависи от състоянието на средствата. Petzl препоръчва задълбочена проверка от компетентно лице най-малко веднъж на всеки 12 месеца (в зависимост от действиящите в страната наредби и от начина на използване на употребя). Спазвайте указанията за проверка, посочени на Petzl.com. Запазете резултатите от проверката в паспорта на ЛПС: тип, модел, данни за производителя, сериен или индивидуален номер; датите на производство, покупка, първа употреба, следваща периодична проверка, дефекти, забележки, име и подпис на инспектора.

### Преди всяка употреба

Проверете лентите на обезопасителните колани и точките на окачване. Проверявайте правилното функциониране на катарамите FAST LT PLUS. Проверявайте за наличието и състоянието на гумичните STRINC и фиксаторите CAPTIV, както и за правилното разположение карабинери/ленти. Внимавайте за късване, износване и повреди вследствие на употреба, топлина, химически вещества и др. Внимавайте да няма късани или разтеглени конци. Осведомете се за срока за контрол на всяко едно ЛПС от страницата Petzl.com. Ако се съмнявате, допитайте се до Petzl.

### По време на употреба

Важно е да следите редовно за състоянието на продукта и връзката му с останалите средства от системата. Уверете се, че отделните средства са правилно разположени едно спрямо друго.

## 4. Съвместимост

Проверете съвместимостта на този продукт с останалите елементи от системата при вашия начин на приложение (съвместимост = правилно функциониране на елементите).

Лентите STEF (S059AA00) са съвместими с носилка NEST версия след 2020 г. (S061AA00), но не са съвместими със стария модел NEST преди 2020 г. (S61).

## 5. Инсталиране на лентите STEF към носилката

Единичната лента на STEF се закача за точката на носилката NEST от страната на главата, а двойните ленти се свързват към точките за окачване на STEF към NEST. Карабинерът Sm'D трябва да е обърнат нагоре. Лентите не трябва да бъдат усукани.

Носилката се трябва да се изтегля или от елемента SWIVEL, или от точката за окачване на носилката откъм главата.

Внимание, в зависимост от използваните продукти (конфигурация преди 2020 г. или след 2020 г.), използвайте правилните точки на окачване съгласно схемите.

## 6. Поставяне на пострадалия в носилката.

- Поставете носилката върху стабилно място.
- Отворете двете части на покривалото и ги преметнете настрани. Изтеглетте лентите за обезопасяване на тялото през катарамите. Разхлабете лентите на опората за краката.
- Поставете пострадалия в носилката. В горната част на матрака трябва да се разположат раменете на пострадалия, независимо от неговия ръст. Пострадалият трябва да е с каска и да носи защитни очила.
- Заклечете катарамите FAST LT PLUS на лентите за тялото и бедрените ленти, като спазвате цветовия код. Внимание, спазвайте правилния начин за закрепване на лентите около пострадалия съгласно схемите.
- Затворете лентите, които придържат пострадалия.

Регулирайте дължината на лентите на опората за краката и закопчайте катарамите на опората.

Проверете дали всички ленти са достатъчно стегнати, за да придържат пострадалия, без той да излиза болка в опорните точки.

- Поставете качулката на главата и калъфа на краката и закопчайте катарамите на калъфа за краката. Затворете двете страни на покривалото или ги преметнете настрани в зависимост от температурата, влагата и др... Стегнете лентите на платнищата. Ръцете на пострадалия могат да бъдат отвърте или отвън.

Могат да се използват или не други предпазни средства в зависимост от констатираните от лекаря травми и трудностите при транспорта.

## 7. Точки за окачване

Якост на точките за окачване: 15 kN.

Само тези точки за предназначени за закачане на носилката към опорна точка. Когато използвате страничните точки, внимавайте да използвате винаги заедно двете точки.

## 8. Точки за носене на носилката на ръка

Точките за носене на носилката на ръка се състоят от осем дръжки, както и осем точки за закачане на аксесоари.

Якост на разрушаване на дръжките: 4 kN.

Якост на точките за закачане на аксесоари: 1 kN.

Внимание, тези точки не трябва да се използват закачане на носилката към опорна точка, нито за закачане на спасителя.

## 9. Конфигурации при евакуация

Всяка от конфигурациите за евакуация е приложима към следните две конфигурации:

- Версия след 2020 г.: NEST самостоятелно или в комбинация с ленти STEF.
- Версия преди 2020 г.: NEST преди 2020 г. самостоятелно или с ленти STEF за носилка NEST преди 2020 г.
Когато инсталирате лентите STEF към носилката, спазвайте схемата за съответната от описаните по-горе конфигурации.
Схемите не показват всички възможни методи, които могат да се използват при спасяване с носилка. Преминете обучение за тези методи, преди да извършвате спасяване с носилка.
Внимание, не влачете носилката върху дръжките за носене.

### A. Вертикално положение на носилката

Евакуацията се извършва, като се използва точката на окачване от страната на главата. Подходящо е при тесни пропасты. Намалява се рискът от падане на камъни върху пострадалия. Минимално удобство за пострадалия.

### B. Носилка в наклонено положение

Препоръчваме използването на STEF. Добър компромис удобство/обем.

### C. Хоризонтално положение на носилката

Препоръчваме използването на STEF. Удобно е за пострадалия, но това положение заема много място и пострадалият може да е изложен на падащи камъни. Може да бъде изискано от лекаря.

### D. Тролей

## 10. Евакуация с използване на STEF

Всяки от методите на евакуация с използване на STEF е приложим към следните две конфигурации:

- След 2020 г.: NEST и STEF.

- Преди 2020 г.: NEST преди 2020 и STEF за носилка NEST преди 2020 г.
Когато инсталирате лентите STEF към носилката, спазвайте схемата за съответната от описаните по-горе конфигурации.

### a. Носилка в хоризонтално положение

За да обезопасите носилката в това положение, закачете карабинер Sm'D в елемента SWIVEL.

### b. Преминавате от хоризонтално положение в наклонено

Спасителят, закачен за друго независимо въже, застáva срещу носилката. Откача карабинера Sm'D. Спасителят хваща с ръце двете ленти (откъм краката) и накланя носилката, евентуално като я натиска с крака. Внимавайте да не поставяте ръцете си от страната на главата на пострадалия: има опасност да не успеете да спрете завъртането и да си защитите ръцете.

### c. Преминаване от наклонено в хоризонтално положение

Спасителят закача късия край на ремъка си в халката на носилката STEF, която ще служи за опорна точка и ще ръководи маневрата. Ремъкът на спасителя трябва да бъде опнат.
- Другият спасител (регулатор) с помощта на противотезест отпуска въже. Тогава носилката се накланя от само себе си.
- Спасителят закача карабинера Sm'D в елемента SWIVEL, за да осигури хоризонталното положение. Другият спасител (регулатор) с помощта на противотезест повдига носилката. Спасителят откача осигурителния си ремък от халката.

## 11. Транспорт на носилката

Носилката може да се носи в нейния калъф (S062AA00). Когато транспортирате носилката в автомобил, може на махнете страничните и напречните лайсни, за да я сгънете.

## 12. Допълнителна информация

### Бракуване на продукта

**ВНИМАНИЕ:** някое извънредно събитие може да доведе до бракуване на даден продукт само след еднократно използване (в зависимост от вида и интензивността на употребата, средата, в която се ползва: агресивна среда, морска среда, остри ръбове, екстремни температури, химически вещества...). Един продукт трябва да се бракува, когато:

- Той е на повече от 10 години и е съставен от пластмасови или текстилни материали.
- Понесъл е значителен удар или натоварване.
- Резултатът от проверката на продукта е незадоволителен. Сменявате се в неговата надеждност.
- Нямате информация как е бил използван преди това.
- Той е морално остарял (поради промяна в законодателството, стандартите, методите на използване, несъвместимост с останалите средства...).
- Унищожете тези продукти, за да не се употребяват повече.

### Пиктограми:

**A.** Срок на годност: 10 години - **B.** Маркировка - **C.** Разрешена температура - **D.** Предупреждения при употреба - **E.** Почистване/дезинфекция - **F.** Сушене - **G.** Съхранение/транспорт - **H.** Модификации/ремонти (забранени са извън сервизите на Petzl, изключение само за резервни части) - **I.** Въпроси/контакти

### Гаранционен срок 3 години

Отнася се до всякакви дефекти в материалите или при производството. Гаранцията не важи при: нормално износване, оксидация, модификации или ремонти, лошо съхранение, лошо поддържане, употреба на продукта не по предназначение.

### Предупредителни знаци

- Ситуация с неизбежен риск от тежко нараняване или фатален изход.
- Ситуация с опасност от възможен инцидент или нараняване. 3. Важна информация относно начина на функциониране или спецификацията на продукта. 4. Несъвместимост на средствата.

### Контрол и маркировка

a. Индивидуален номер - b. Година на производство - c. Месец на производство - d. Номер на партида - e. Индивидуална идентификация - f. Прочетете внимателно техническите указания - g. Идентификация на модела



본 설명서는 장비를 정확하게 사용하는 방법을 설명한다. 특정 기술 및 사용 방법만을 소개한다. 사용자의 장비 사용과 관련된 잠재적인 위험에 대한 정보를 전달한다. 모든 것을 설명하는 것은 불가능하다. 최신 정보 및 추가 정보는 Petzl.com을 확인한다. 각각의 경고 내용 확인 및 정확한 장비 사용은 사용자에게 책임이 있다. 장비의 오용은 추가적인 위험을 야기할 수 있다. 본 설명서를 이해하는데 어려운 점이나 의문점이 있으면 (주)안나푸르나로 연락한다.

**1. 적용 분야**

NEST: 접근이 어려운 상황에서 구조하기 위한 들것 (200 x 50 x 5 cm). 최대 150 kg의 무게와 1.50 m ~ 1.90 m 사이의 신장에 맞게 설계되었다. STEF: NEST 들것용 방향 조절 장비. 오로지 NEST 들것과만 사용할 것. 2020년 이전 NEST 들것용 STEF: 2020년 이전 NEST 들것용 방향 조절 장비. 오로지 2020년 이전 NEST 들것과만 사용할 것. 이 제품의 자체 강도 이상의 하중을 절대 받아서는 안되며, 제작 용도 이외의 다른 목적으로 사용해서는 안된다.

**책임**

**주의사항**

**이 장비의 사용과 관련된 활동은 위험성이 내재되어 있다. 사용자는 자신의 행동이나 결정에 책임져야 한다.**

이 장비를 사용하기 전에, 반드시 알아야 할 사항:  
 - 사용에 관한 모든 설명서를 읽고 이해하기.  
 - 장비의 적합한 사용을 위한 구체적인 훈련 받기.  
 - 장비의 사용법과 사용 한도에 대해 숙지하고 친숙해지기.  
 - 관련된 위험을 이해하고 숙지하기.

**이런 경고를 유념하지 않으면 심각한 부상이나 사망을 초래할 수 있다.**

경고: 제품 사용 전 트레이닝은 필수 요소이다. 트레이닝은 사용 분야로 정의된 작업 수행에 적합해야만 한다. 본 장비는 전문가와 책임질 수 있는 사람만이 사용할 수 있고, 전문가에 의해 직접적으로 눈으로 볼 수 있는 통솔 아래 사용되어야 한다. 행동이나 결정, 그리고 안전에 대한 책임은 사용자에게 있으며 결과물에 대해 예측할 수 있어야 한다. 모든 위험을 책임질 능력이 없거나 그런 위치에 있지 않다면, 그리고 사용 설명서를 충분히 이해하지 못했다면 본 장비를 사용하지 않는다.

**2. 부분 명칭**

**NEST**

(1) 헤드 끝 부착 지점, (2) 측면 부착 지점, (3) STEF 부착 지점, (4) 운반 손잡이, (5) 몸통 스트랩, (5 bis) FAST LT PLUS 몸통 스트랩 버클, (6) 다리 스트랩, (6 bis) FAST LT PLUS 다리 스트랩 버클, (7) 발 지지 조절 스트랩, (8) 위치 확보용 스트랩, (9) 발 지지대, (10) 덩개, (10 bis) 덩개 클로저 스트랩, (11) 헤드 커버, (11 bis) 헤드 커버 조절 스트랩, (12) 발 커버, (13) 액세서리 부착 지점, (14) 세로 방향 고정용 슬리브, (14 bis) 가로 방향 고정용 슬리브, (15) 폼 패드.

**STEF**

(16) 헤드 끝 싱글 스트랩, (17) SWIVEL, (18) Am`D, (19) 발 끝 더블 스트랩, (20) Sm`D, (21) 링, (22) CAPTIV, (23) STRING.

**주요 재료**

스트랩: 폴리에스터.  
 버클: 스틸, 알루미늄 합금.  
 안전 부착 지점: 알루미늄 합금.  
 티프 원단: 열가소성 폴리우레탄 (TPU).

**3. 검사 및 확인사항**

사용자의 안전은 장비의 상태와 연관성이 있다. Petzl은 적어도 일년에 한 번 이상 전문가의 세부 검사를 받을 것을 권장한다 (사용 국가의 현재 규정과 사용자의 사용 환경에 따를 것). 웹사이트 Petzl.com에 설명된 절차를 따른다. PPE 장비 서식에 유형, 모델, 제조자 정보, 일련번호 또는 개별 번호, 제조일, 구매일, 최초 사용일, 검사 내용, 문제점, 검사관의 이름 및 서명 등의 PPE 검사 결과를 기록한다.

**매번 사용 전**

안전벨트 스트랩 및 부착 지점의 상태를 점검한다. FAST LT PLUS 버클 기능이 올바르게 작동하는지 확인한다. STRING과 CAPTIV의 존재 및 상태를 확인하고 연결장비 / 워빙과 올바르게 조립되었는지 확인한다. 절단, 마모, 사용에 따른 손상이나 열이나 화학 제품 등으로 인한 손상된 부분이 있는지 확인한다. 특히 박을질린 실이 끊기거나 느슨해진 부분이 있는지 유심히 관찰한다.

각 제품의 PPE 검사 절차에 관한 상세한 정보는 Petzl.com을 방문하여 확인한다. 의심스러운 점이 있으면 Petzl에게 문의한다.

**제품 사용 도중**

제품의 상태와 장비에 연결된 다른 장비와의 연결 부분을 정기적으로 검사하는 것이 매우 중요하다. 장비에 연결된 모든 제품들이 잘 연결되어 정확한 위치에 놓여 있는지 확인한다.

**4. 호환성**

본 제품이 사용 시 다른 장비 및 시스템과 호환되는지 확인한다 (호환이 된다 = 순기능적 상호작용). STEF (S059AA00)는 2020년 NEST (S061AA00)와 호환되지만 2020년 이전 NEST (S61)와 호환되지 않는다.

**5. 들것에 STEF 설치하기**

STEF 싱글 스트랩은 NEST 헤드 끝 부착 지점에 연결되고 더블 스트랩은 NEST의 STEF 부착 지점에 연결된다. Sm`D 카라비너는 위쪽을 향한 상태여야만 한다. 스트랩이 꼬이지 않도록 주의한다. 들것의 운반은 SWIVEL 또는 들것의 헤드 끝 부착 지점으로부터 진행된다. 경고: 사용된 제품 (2020년 이전 또는 2020년 이후의 구성)에 따라, 그림을 참조하여 올바른 부착 지점을 사용해야 한다.

**6. 부상자 설치하기**

1. 평평한 곳에 들것을 놓는다. 덩개를 열어 한쪽으로 제쳐둔다. 안전벨트 스트랩 버클을 푼다. 발 지지 스트랩을 느슨하게 한다. 부상자를 들것으로 옮긴다. 부상자의 어깨는 키와 상관없이 폼 패드 상단에 배치해야 한다. 부상자는 헬멧과 안구 보호대를 착용한 상태여야만 한다. 2. 몸통과 다리 스트랩에 FAST LT PLUS 버클을 잠그고 색상 코드를 확인한다. 경고: 그림에 표시된대로 부상자의 스트랩 구성이 올바르게 확인한다. 3. 위치 확보 스트랩을 조인다. 발 지지 스트랩의 길이를 조절하고 발 지지 버클을 채운다. 부상자를 압박하는 부분 없이 안전하게 지탱할 수 있도록 조여졌는지 모든 스트랩의 상태를 확인한다. 4. 머리 및 발 커버를 덮고 머리 및 발 커버 버클을 채운다. 온도, 물 여부 등을 고려하여 덩개를 덮거나 측면으로 접는다. 폴립 스트랩을 조인다. 부상자의 팔은 들것의 안쪽 또는 바깥쪽에 있게 된다. 의사가 판단한 부상자의 상처 정도 및 대피의 난이도 등에 따라 일부 안전 부분이 제 위치에 있거나 있지 않을 수도 있다.

**7. 부착 지점**

부착 지점의 파손 강도: 15 kN. 오로지 이 지점만 사용하여 들것을 앵커에 연결한다. 측면 부착 지점을 사용할 때는 항상 두 지점을 함께 사용한다.

**8. 들것 핸들링 지점**

들것 핸들링 지점은 8개의 운반 핸들과 8개의 액세서리 부착 지점으로 구성된다. 핸들 파손 강도: 4 kN 액세서리 부착 지점 파손 강도: 1 kN. 경고: 이 지점은 들것을 앵커에 부착하거나 사람을 확보하기 위해 사용되면 절대 안된다.

**9. 대피 구성**

각 대피 구성은 다음 두 가지 구성에 적용된다:  
 - 2020년 이후: NEST 자체 또는 STEF와 결합.  
 - 2020년 이전: 2020년 이전 NEST 자체 또는 2020년 이전 NEST용 STEF와 결합.  
 들것을 STEF를 설치하기 위해 위의 각 구성에 대한 그림을 따른다. 그림은 들것을 사용한 구조 도중 사용되는 모든 테크닉을 보여주지는 않는다. 들것을 사용하기 이전에 이러한 테크닉에 관한 훈련을 받는다. 경고: 운반 손잡이를 사용하여 들것을 들어 올리지 않는다.

**A. 수직 들것**

헤드 끝 부착 지점을 사용하여 대피한다. 좁은 통로 가능 부상자를 위해 낙석의 위험을 제한한다. 최소 부상자 편안함.

**B. 근거리-수직 이동**

STEF의 사용을 권장한다. 우수한 편안함/부피 절충

**C. 수평 들것**

STEF의 사용을 권장한다. 부상자에게 편안하지만, 부피 및 낙석에 대한 부상자의 노출을 증가시킨다. 의사의 지시가 있을 수도 있다.

**D. 티롤리안**

**10. STEF를 사용한 대피**

STEF를 사용한 각 대피 기술은 다음 두 가지 구성에 적용된다.  
 - 2020년 이후: NEST 및 STEF.  
 - 2020년 이전: 2020년 이전 NEST 및 2020년 이전 NEST용 STEF.  
 들것을 STEF를 설치하기 위해 위의 각 구성에 대한 그림을 따른다.

**a. 수평 위치에서의 들것**

이 위치를 안전하게 유지시키기 위해, Sm`D를 SWIVEL에 클립한다.

**b. 수평 위치에서 경사 위치로 전환하기**

개별 로프에 부착된 구조자는 들것을 향한다. Sm`D 카라비너를 분리한다. 두 손은 두개의 스트랩 (발 끝) 위치하고 발을 사용하여 들것을 밀어줌으로써 들것을 기울인다. 경고: 헤드 끝에 손을 두지 않는다. 이로 인해 경사 비탈을 조절할 수 없을 수도 있으며 손이 끼는 위험 요소가 있다.

**c. 경사 위치에서 수평 위치로 전환하기**

구조자는 자신의 짧은 랜야드를 STEF의 링에 부착한다. 이 링은 기둥을 안내하는 고정점 역할을한다. 구조자는 랜야드가 팽팽해졌는지 확인한다.  
 - 통제자와 평형 요소는 들것을 내린다. 그러면 자연스럽게 경사진다.  
 - 구조자는 수평 위치를 고정하기 위해 Sm`D를 SWIVEL에 클립한다. 통제자와 평형 요소는 들것을 올린다. 구조자가 링에서 랜야드를 제거한다.

**11. 들것 운반하기**

운반 케이스 (S062AA00)에 들것을 보관할 수 있다. 차량에 들것을 이동하기 위해서는, 세로 방향과 가로 방향 고정 장치를 제거하여 접는다.

**12. 추가 정보**

**장비 폐기시점**

경고: 제품의 수명은 제품의 형태, 사용 강도 및 사용 환경에 따라 단 한번의 사용으로도 줄어든 수도 있다 (거친 환경, 고습 환경, 날카로운 모서리, 극한의 기온, 화학 제품 등). 다음과 같은 상태에서는 제품 사용을 중단한다:  
 - 플라스틱이나 섬유 재료의 장비가 최소 10년 사용되었을 경우.  
 - 심한 추락이나 하중을 받은 적이 있는 경우.  
 - 검사에 통과하지 못한 경우. 장비의 보전 상태가 의심되는 경우.  
 - 장비에 대한 기록을 전혀 모를 경우.  
 - 적용 규정, 기준, 기술의 변화 또는 다른 장비와 호환되지 않는 경우 등. 이러한 장비가 다시 사용되는 일이 없도록 폐기한다.  
**제품 참조:**  
 A. 제품 수명: 10년 - B. 마킹 - C. 허용 온도 - D. 사용 주의사항 - E. 세척/살균 - F. 건조 - G. 보관/운반 - H. 수리/수선 (Petzl 시설 외부에서는 부품 교체를 제외한 수리 금지) - I. 문의사항/연락

**3년 보증**

원자재 또는 제조상의 결함에 대해 3년간의 보증 기간을 갖는다. 제외: 일반적인 마모 및 찢김, 산화, 제품 변형 및 개조, 부적절한 보관, 올바르게 않은 유지 관리, 사용자 부주의, 제작 용도 이외의 사용 등.

**경고 기호**

1. 심각한 부상 또는 사망의 갑작스런 위험이 존재하는 상황. 2. 사고 또는 부상의 잠재적인 위험에 노출. 3. 사용자의 장비의 성능 및 작업 수행에 대한 중요한 정보. 4. 장비 비호환성.

**추적 및 마킹**

a. 일련 번호 - b. 제조 년도 - c. 제조일 - d. 배치 번호 - e. 개별 식별 번호 - f. 사용설명서를 주의깊게 읽는다 - g. 모델 확인

คู่มือการใช้งานนี้ อธิบายให้ทราบถึงวิธีการใช้อุปกรณ์อย่างถูกต้อง เฉพาะข้อมูลทางเทคนิคและการใช้งานบางอย่างเท่านั้นที่ได้อธิบายไว้

เครื่องหมายการค้าออกใหญ่ของทราบถึงอันตรายบางส่วนที่อาจเกิดขึ้นจากการใช้งานของอุปกรณ์ แต่ไม่อาจบอกได้ทั้งหมด
ควรถูเช็คที่ Petzl.com เพื่อหาข้อมูลเพิ่มเติมล่าสุด

เป็นความรับผิดชอบของคุณในการระมัดระวังองค์ประกอบและการใช้อุปกรณ์อย่างถูกต้อง ข้อผิดพลาดในการใช้อุปกรณ์จะทำให้เกิดอันตราย
ติดตั้ง Pezl หรือตัวแทนจำหน่ายที่มีชื่อเสียง หรือไม่เข้าใจของความรู้ในคู่มือนี้

## 1. ส่วนที่เกี่ยวข้องกัน

NEST: เปลหาม (200 x 50 x 5 ซม.) ใช้เพื่อการกู้ชีพในสถานการณ์ที่เข้าถึงได้ยาก ออกแบบมาเพื่อรับน้ำหนักได้มากที่สุด 150กิโล. และมีน้ำหนักสูงระหว่าง 1.50 เมตร และ 1.90 เมตร

STEF: อุปกรณ์ที่ก่อหนดตำแหน่งสำหรับเปลหาม NEST เพื่อการใช้งานเปลหาม NEST เท่านั้น

STEF สำหรับเปล NEST รุ่นก่อน 2020 อุปกรณ์กำหนดทิศทางสำหรับเปลหาม NEST รุ่นก่อน 2020 เพื่อการใช้งานเปลหาม NEST รุ่นก่อน 2020 เท่านั้น
อุปกรณ์นี้จะต้องใช้รับน้ำหนักเกินกว่าที่ระบุไว้ หรือไม่นำไปใช้ในวัตถุประสงค์อย่างอื่นนอกเหนือจากที่ได้ถูกออกแบบมา

### ความปลอดภัย

คำเตือน

**กิจกรรมที่เกี่ยวข้องกับการใช้อุปกรณ์นี้ เป็นสิ่งที่เป็อันตราย ผู้ใช้ต้องมีความรับผิดชอบจากการตัดสินใจและความปลอดภัย**

ก่อนการใช้อุปกรณ์นี้ จะต้อง

- อ่านและทำความเข้าใจคู่มือการใช้งาน

- การฝึกฝนโดยเฉพาะเพื่อการใช้งานที่ถูกต้อง

- ให้ความสำคัญกับความสามารถและข้อจำกัดในการใช้งานของมัน

- เข้าใจและยอมรับความเสี่ยงที่เกี่ยวข้อง

**ภาวะฉุกเฉินระมัดระวังและเสมอต่อข้อมูลนี้ อาจมีผลให้เกิดการบาดเจ็บสาหัสหรืออาจถึงแก่ชีวิต**

คำเตือน การฝึกฝนวิธีใช้อุปกรณ์ก่อนการใช้งานเป็นสิ่งจำเป็น การฝึกฝนต้องกระทำอย่างเหมาะสม ตามข้อกัหนดเกี่ยวกับสมรรถนะของผู้ปรกรณ์
อุปกรณ์นี้จะต้องถูกใช้งานโดยผู้ที่มีความสามารถเพียงพอและมีควมรับผิดชอบหรือใช้ในสถานที่ที่อยู่ในความรับผิดชอบโดยตรงหรือควบคุมได้โดยผู้เชี่ยวชาญ

เป็นความรับผิดชอบของผู้ใช้งานคู่อุปการะ การตัดสินใจความปลอดภัย และยอมรับในสิ่งที่เกิดขึ้นจากรู้การนั้น ในกรณีใช้อุปกรณ์นี้ถูกอยู่ในสนามรบ หรือไม่อยู่ในสภาวะที่จะรับผิดชอบความเสี่ยงที่จะเกิดขึ้นหรือไม่เข้าใจของความรู้ในคู่มือการใช้งาน

## 2. ชื่อของส่วนประกอบ

NEST

(1) จุดผูกยึดบนสุดของส่วนหัว
(2) จุดผูกยึดด้านข้าง
(3) จุดผูกยึดกับ STEF
(4) หูจับสำหรับกานลำเลียง
(5) สายรัดลำตัว
(5 bis) FAST LT PLUS หัวเข็มขัดสำหรับสายรัดลำตัว
(6) สายรัดขา
(6 bis) FAST LT PLUS หัวเข็มขัดสำหรับสายรัดขา
(7) ตัวปรับสายรัดแขนรองรับท่าสองขา
(8) สายรัดเพื่อกำหนดตำแหน่ง
(9) แคนรองรับเท้าสองขา
(10) แผ่นปิดลำตัว
(10 bis) สายรัดแผ่นปิดลำตัว
(11) แผ่นปิดศีรษะ
(11 bis) ตัวปรับสายรัดแผ่นปิดศีรษะ
(12) แผ่นปิดเท้า
(13) จุดผูกยึดอุปกรณ์
(14) ปอดนุ่มสำหรับการผูกรัดคนแนวขวา
(14 bis) ปอดนุ่มสำหรับการผูกรัดคนแนวขง
(15) แผ่นไม่รองรับ

STEF

(16) แถบสายรัดตัวสำหรับยึดส่วนหัว,
(17) SWIVEL,
(18) Am'D,
(19) แถบสายรัดคู่สำหรับส่วนเท้า,
(20) Sm'D,
(21) วงแหวน
(22) CAPTIV,
(23) STRING

**วัสดุประกอบหลัก**

สายรัด โพลีเอสเตอร์

หัวเข็มขัด: เหล็ก อลูมิเนียม อัลลอยด์

จุดผูกยึดที่มีความปลอดภัย อลูมิเนียมอัลลอยด์

ผ้าใบ: thermoplastic polyurethane (TPU).

## 3. การตรวจสอบ จุดตรวจสอบ

ความปลอดภัยของคุณขึ้นอยู่กับความสมบูรณ์ของอุปกรณ์ของคุณ

Petzl แนะนำให้ตรวจเช็ครายละเอียดของอุปกรณ์โดยผู้เชี่ยวชาญ อย่างน้อยทุก 12 เดือน (ขึ้นอยู่กับข้อกำหนดกฎหมายของประเทศและสภาพการใช้งาน) ทำตามขั้นตอนที่แสดงไว้ที่ Petzl.com
บันทึกผลการตรวจเช็ค PPE ลงในแบบฟอร์มการตรวจเช็ค ชนิด รุ่น ข้อมูลของโรงงานผลิต หมายเลขลำดับการผลิต หรือหมายเลขกำกับอุปกรณ์ วันที่ของการผลิต วันที่สั่งซื้อ วันที่ใช้งานครั้งแรก กำหนดการตรวจเช็คครั้งต่อไป ปัญหาที่พบ ความคิดเห็น ชื่อของผู้ตรวจเช็คพร้อมลายเซ็น
**ก่อนการใช้งานแต่ละครั้ง**

ตรวจเช็คสภาพร่องรอยการสึกหรอของสายรัด, และที่จุดผูกยึด

เช็คให้แน่ใจว่าตัวล๊อค FAST LT PLUS ใช้งานได้ดีตามปกติ

ตรวจเช็คการติดอยู่และสภาพของ STRINGS รวมทั้ง CAPTIVs, และเชือกมันัน ประกอบด้วยลวดอยู่อย่างถูกต้องกับ ตัวล๊อคเชื่อมต่อ / สายรัด

ตรวจสอบร่องยึดขาด ขาดุด การเสียดหยงจากการใช้งาน จากความร้อน สัมผัสกับสารเคมี โดยเฉพาะอย่างยิ่งการตรวจดูร่องยึดขาด หรือสนนคายหุคุดลุ่ย
กนหาข้อมูลของขั้นตอนการตรวจเช็คสภาพของอุปกรณ์ PPE แต่ละชนิดได้ที่เว็บไซต์ Petzl.com

ติดตั้ง Petzl หรือตัวแทนจำหน่ายที่มีชื่อเสียง

ระหว่างการใช้งาน

เป็นเรื่องสำคัญอย่างยิ่งที่ต้องตรวจสอบสภาพของอุปกรณ์อยู่เป็นประจำ และการต่อเชื่อมอุปกรณ์เข้ากับอุปกรณ์ตัวอื่นในระบบ
แน่ใจว่าทุกชิ้นส่วนของอุปกรณ์อยู่ในตำแหน่งที่ถูกตั้งกับชิ้นส่วนอื่น

## 4. ความเข้ากันได้

ตรวจเช็คว่าอุปกรณ์นี้ สามารถใช้งานร่วมกับล๊อคกับอุปกรณ์อื่นในระบบที่เกี่ยวข้องกัน (เข้ากันได้คือ = ใช้งานด้วยกันได้โดยไม่ลัดขัด)

STEF (S059A00) ใช้งานเข้ากันได้กับเปลหาม NEST ที่ผลิตปี 2020 (S061A00), แต่ไม่สามารถใช้งานด้วยกันได้กับเปล NEST (S61) ที่ผลิตก่อน 2020

## 5. การติดตั้ง STEF บนเปลหาม

STEF สายรัดเส้นเดียวติดยึดกับจุดผูกยึดด้านหัวของ NEST และสายรัดเส้นคู่ ติดยึดกับจุดผูกยึดของ STEF ที่อยู่บนเปลหาม NEST. ตัวล๊อค Sm'D จะเคลื่อนดิยึดขึ้นด้านบน
สายรัดจะต้องไม่บิดเกลียว

ชุดติดตั้งมีเพื่อให้อุปกรณ์นี้จะตั้งใช้ร่วมกับ SWIVEL เท่านั้น, หรือโดยการติดตั้งกับจุดผูกยึดด้านหัวเท่านั้น

คำเตือน: ขึ้นอยู่กับรุ่นอุปกรณ์ที่ถูกใช้งาน, (ส่วนประกอบที่ผลิตก่อนปี 2020 หรือภายหลังปี 2020), แนะนำว่าให้ใช้จุดผูกยึดอย่างถูกต้องได้ทำตามภาพอธิบาย

## 6. การติดตั้งเข้ากับผู้บาดเจ็บ

1. วางเปลหามบนพื้นที่ราบเรียบ

เปิดแผ่นปิดคลุมออก และวางบนไปทางด้านหลัง
ปลดเข็มขัดสายรัดคอกล คลายสายรัดคนรองรับท่าทั้งสองออก

วางรวมชุดปลั๊กบนเปลหาม ให้ส่วนไหล่ทั้งสองข้างของผู้บาดเจ็บวางที่ตำแหน่งบนสุดของแผ่นโฟม, โดยคำนึงถึงความสูงของเธอหรือขา
ผูกมัดเข็มขัดสองสามหมวกนริบภัย และแผ่นปิดก้นด้วย

2. ปล๊อคหัวเข็มขัด FAST LT PLUS บนสายรัดลำตัว และสายรัดขา, โดยดึงกดจากสีที่แสดงสัญลักษณ์ คำเตือน: ดึงกดสายรัดให้ถูกต้องเพื่อใช้ประกอบบนหัวผู้บาดเจ็บ,

ตามที่บ่งบอกไว้ในภาพอธิบาย

3. ผูกมัดสายรัดข้างด้านหนึ่ง

ปรับความยาวของสายรองรับเท้า และรัดหัวเข็มขัดสายรัดเท้าทั้งสองให้แน่น
ปิดแผ่นคลุมลำตัวหรือหนีไปที่ทางด้านหลัง ขึ้นอยู่กับสภาพของอากาศ ระดับน้ำ...
ผูกมัดสายรัดแผ่นปิดลำตัว แขนของผู้บาดเจ็บอาจถูกภายใน หรือภายนอกเปลหาม

อุปกรณ์เพื่อความปลอดภัยบางอย่าง อาจอยู่หรือไม่อยู่จุดรัดตำแหน่ง, ขึ้นอยู่กับสภาพของบาดเจ็บ และการตัดสินใจของแพทย์, และความชุกชกในการเคลื่อนย้าย

## 7. จุดผูกยึด

ความแข็งแรงของจุดผูกยึด 15 kN

โดยเฉพาะ จุดผูกยึดเหล่านี้ ถูกยึดเปลหามกับจุดผูกยึดเท่านั้น
เมื่อใช้จุดผูกยึดด้านข้าง, ต้องแน่ใจว่าให้ใช้สองจุดผูกมัดด้วยกันเสมอ

## 8. จุดยึดหูจับเปลหาม

จุดยึดหูจับเปลหาม ประกอบด้วยแปดจุดหูจับเพื่อการขนย้าย, เช่นเดียวกับจุดผูกอุปกรณ์ทั้งแปดจุด

ความแข็งแรงของหูจับ: 4 kN

ความแข็งแรงของแต่ละจุดผูก: 1 kN.

คำเตือน: จุดผูกเหล่านี้ ห้ามใช้ในกรณีติดตั้งเปลหามกับจุดผูกยึด, และห้ามใช้เป็นตัวผูกยึดตัวบาดเจ็บ

## 9. องค์ประกอบของการเคลื่อนย้าย

แต่ละครั้งของการเคลื่อนย้าย ต้องใช้ตัวกั้นในสององค์ประกอบต่อไปนี้:

- คุยเปลหามที่ผลิตในปี 2020 อย่างเดียว, หรือใช้ประกอบร่วมกับ STEF

- คุยเปลหามรุ่นที่ผลิตก่อน 2020 อย่างเดียว, หรือ ประกอบร่วมกับ STEF ที่ผลิตสำหรับเปล NEST ก่อนปี 2020

แน่ใจว่า ได้ทำตามภาพอธิบาย สำหรับการติดตั้ง STEF บนเปลหาม สำหรับแต่ละองค์ประกอบด้านบน

เพื่อความชัดเจน, ภาพแสดงไม่ได้อธิบายให้ทราบทุกขั้นตอนทางเทคนิคที่ที่ในระหว่างการกู้ชีพด้วยเปลหาม
ฝึกฝนให้ทราบถึงเทคนิคต่าง ๆ ก่อนการไปปฏิบัติ
คำเตือน: ห้ามดึงเปลหามขึ้นจากทางหูจับ

**A. เคลื่อนย้ายเปลหามแนวตั้ง**

การเคลื่อนย้ายสามารถทำได้โดยการใช้อุปกรณ์ที่ส่วนหัว
ปรับขนาดของส่วนที่เปิดให้แคบลง เพื่อจำกัดความเสี่ยงจากจุดกึ่งกั้นหล่นใส่ผู้บาดเจ็บ
ผูกมัดเข็มขัดรู้สึกสบายจนยี่สิบสุด

**B. เคลื่อนย้ายแนวตั้งระยะไกล**

แนะนำให้ใช้ อุปกรณ์ร่วม STEF ทำให้สบายมากขึ้น/ ช่วยให้อ่อนแรง

**C. การเคลื่อนย้ายแนวนอน**

แนะนำให้ใช้ อุปกรณ์ร่วม STEF
ผูกมัดเข็มรู้สึกสบายกันขึ้น, แต่ที่ความเสี่ยงต่อการปะทะของก้นหรือไหล่
ใส่ อาจทำได้ตามความเห็นของแพทย์

**D. Tyrolean การเลื่อนไปตามทาง**

## 10. เคลื่อนย้ายด้วยการใช้ STEF

แต่ละครั้งคว้ชทุกขั้นตอนการเคลื่อนย้าย ต้องใช้ตัวกั้นในสององค์ประกอบต่อไปนี้:

- ที่ผลิตปี 2020; ทั้ง NEST และ STEF

- NEST ที่ผลิตก่อน-2020; และ STEF สำหรับใช้ร่วมกับเปล NEST ที่ผลิตก่อน-2020

แน่ใจว่า ได้ทำตามภาพอธิบาย สำหรับการติดตั้ง STEF บนเปลหาม สำหรับแต่ละองค์ประกอบด้านบน

**a. การเคลื่อนย้ายเปลหามในแนวขนานกับพื้น**

เพื่อความปลอดภัยในตำแหน่งนี้, ให้ล๊อคตัวล๊อค Sm'D เข้ากับตัว SWIVEL

**b. การเปลี่ยนจากตำแหน่ง แนวขนานกับพื้น ไปเป็นตำแหน่งลาดเอียง**

ผู้ก้บ, จะหยุดตัวกับเชือกอีกเส้นหนึ่ง, ด้านหน้าของเปลหาม S ผู้ก้บยึดตัวล๊อค Sm'D ออก
ผู้ก้บยวางตำแหน่งของมือสองข้างของเขา/เธอ บนสายรัดสองเส้น (ด้านส่วนเท้า) และเอียงเปลหาม, โดยอาจขึ้นลึกลงเปลหามควยของเขา/เธอ
คำเตือน: ห้ามวางตำแหน่งของมือทั้งสองข้าง ที่ด้านหัว: ซึ่งจะทำให้คุณควบคุมตำแหน่งการลาดเอียงของเปลไม่ได, ทำให้เสี่ยงต่อการขัดกันกับมือของคุณ

**c. การเปลี่ยนจากตำแหน่งลาดเอียง ไปตำแหน่งแนวขนานกับพื้น**

ผู้ก้บตัดเชือกเส้นของเขา/เธอ เข้ากับห่วงทรงกลม บน STEF, ซึ่งจะมีประโยชน์เหมือนกับจุดยึดตัวที่ช่วยกำหนดทิศทางของการขนย้าย
ผู้ก้บต้องแน่ใจว่าเชือกเส้นดึงดีแล้ว

- ควบคุมและถ่วงดุลน้ำหนัก ห่อนเปลหามลง
ทำให้การเอียงเป็นไปตามธรรมชาติ

- ผู้ก้บยึดลป Sm'D เข้ากับ SWIVEL เพื่อทำการกู้ชีพในตำแหน่งขนานกับพื้น
ผู้ควบคุมและถ่วงดุลน้ำหนัก ยกเปลหามขึ้น
ผู้ก้บปลดเชือกเส้นของเขา/เธอ ออกจากห่วงทรงกลม

## 11. การขนส่งเปลหาม

เปลหามอาจถูกส่งโดยเครื่องบินของลำหรับเคลื่อนย้าย (S062AA00)
การขนส่งเปลโดยยานพาหนะ, สามารถถอดปล๊อคหรือถอดคนแนวขวาและพื้นเก็บมัน

## 12. ข้อมูลเพิ่มเติม

**ควรวกหลักการใช้อุปกรณ์เมื่อไร**

ขอควรวะวัง ในกิจกรรมที่มีการใช้ยานรแรงอาจทำให้อุปกรณ์ถูกฉีกใช้แม้หลังจากการใช้งานเพียงครั้งเดียวทั้งนี้ ขึ้นอยู่กับชนิดของการใช้งานและสภาพแวดล้อมของการไร (สภาพที่แข็งแรงบน สถานที่ที่เกาะถล ขอบมุมที่แหลมคม สภาพอากาศที่รุนแรง สารเคมี...)

อุปกรณ์จะต้องฉีกใช้ เมื่อ

- มีอายุเกินกว่า 10 ปี สำหรับผลิตภัณฑ์พลาสติก หรือสังกะ

- ได้เคยมีการกระชากอย่างรุนแรง หรือ เกินขีดจำกัด

- เมื่อไม่ผ่านการตรวจเช็คสภาพ เมื่อมีของสงสีหรือไม่แน่ใจ

- เมื่อไม่ทราบถึงประวัติการใช้งานก่อน

- เมื่อตรวจ ลายมีจากการเปลี่ยนกฎเกณฑ์มาตรฐานเทคนิค หรือ ความเข้ากันไม่ได้กับอุปกรณ์อื่น

ห้าใช้อุปกรณ์เพื่อป้องกันการนำกลับมาใช้อีก

**สัญลักษณ์**

**A.** อายุการใช้งาน **10 ปี** - **B.** เครื่องหมาย - **C.** สภาพภูมิอากาศ ที่สามารถใช้งานได้ - **D.** ขดรองรับการใช้งาน - **E.** การที่ความสะอาด/มาเชื้อโรค - **F.** ท่าให้ทรง - **G.** การเก็บรักษา/การขนส่ง - **H.** การติดตั้งเพิ่มเติม/การซ่อมแซม (ไม่อนุญาตให้ทำภายนอกโรงงานของ Petzl ยกเว้นส่วนที่สามารถใช้ทดแทนได้) - **I.** **ลำถาามติดตั้ง**

**อุปกรณ์มีการรับประกันเป็นเวลา 3 ปี**

เกี่ยวกับวัสดุหรือความบกพร่องจากการผลิต
ข้อยกเว้นจากการรับประกัน
การชำรุดบกพร่องจากการใช้งานตามปกติ
ปฏิภุทธยาจากสารเคมี
การแก้ไขตัดแปลง
การเก็บกลับมาปฏิบัติ ขาดการดูแล
การนำไปใช้งานที่นอกเหนือจากที่อุปกรณ์ได้ถูกออกแบบมา

**เครื่องหมายคำเตือน**

1. สถานการณ์เสี่ยงที่อาจเกิดขึ้นควรายกเข็มสหัสหรือ เสียชีวิต 2. แสดงให้เห็นถึงความเสี่ยงต่อการเกิดอุบัติเหตุ หรือ การบาดเจ็บ 3. ข้อมูลสำคัญที่เกี่ยวกับประสิทธิภาพในการใช้งาน หรือคุณสมบัติของอุปกรณ์ 4. ความเข้ากันไม่ได้ของอุปกรณ์

**เครื่องหมายและข้อมูล**

a. หมายเลขลำดับ - b. ปีที่ผลิต - c. เดือนที่ผลิต - d. หมายเลขหมวดหมู่ - e. ข้อมูลเฉพาะที่ - f. อานข้อมูลการใช้งานของรายละเอียด - g. ข้อมูลระบุรุ่น